

DWG NO.

PES2S-BLHF

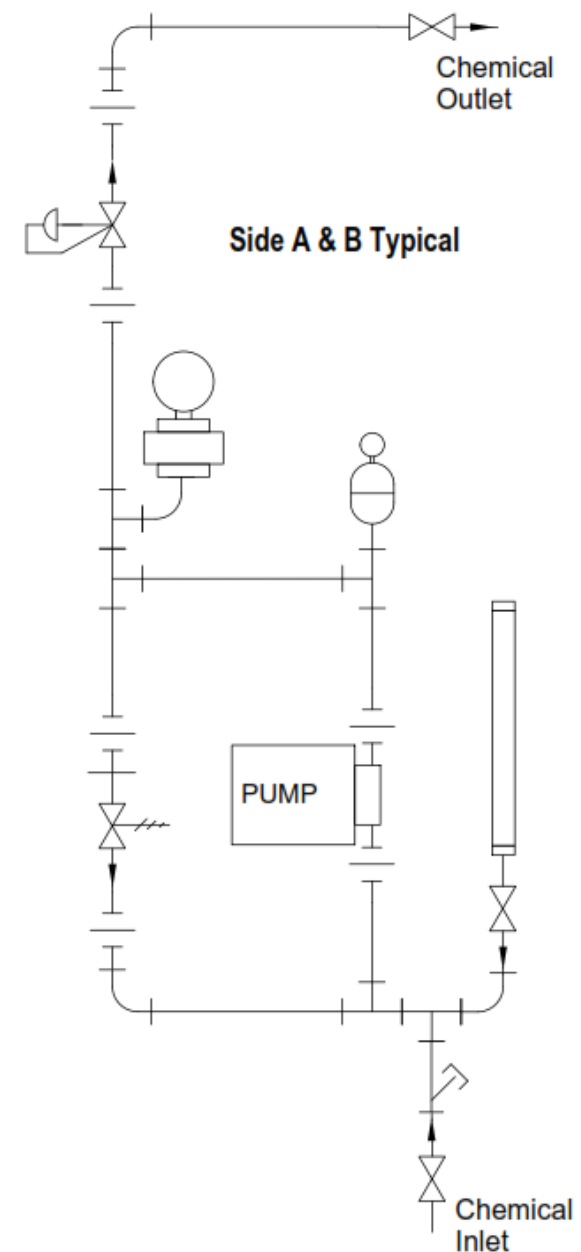
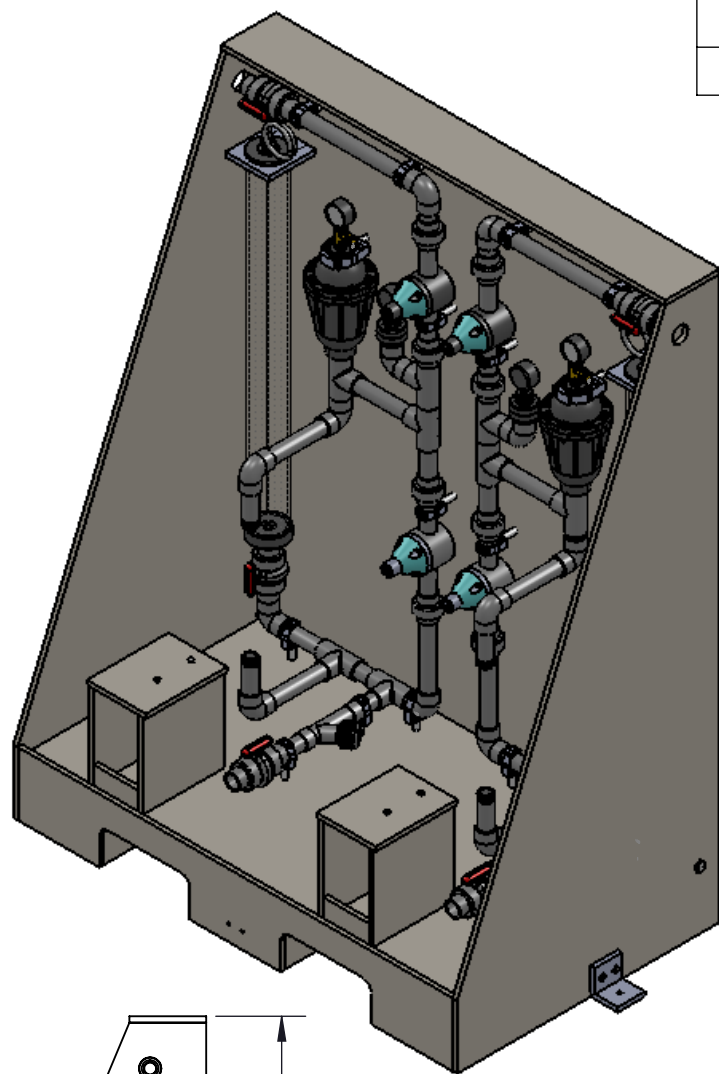
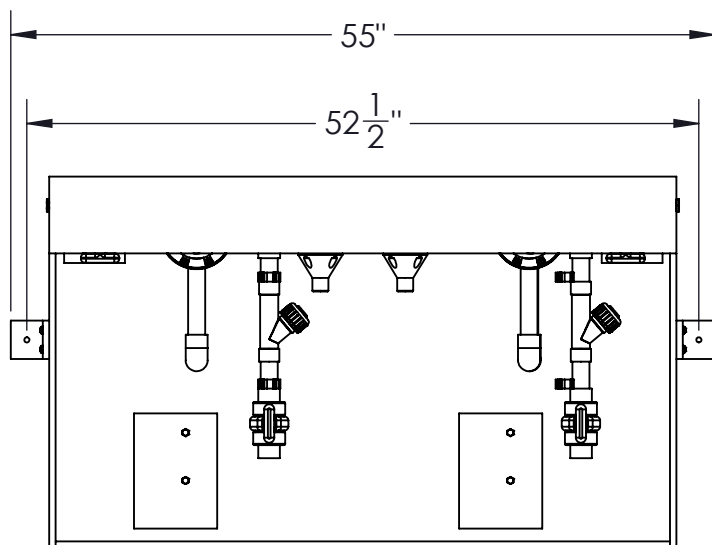
SHEET

1

OF

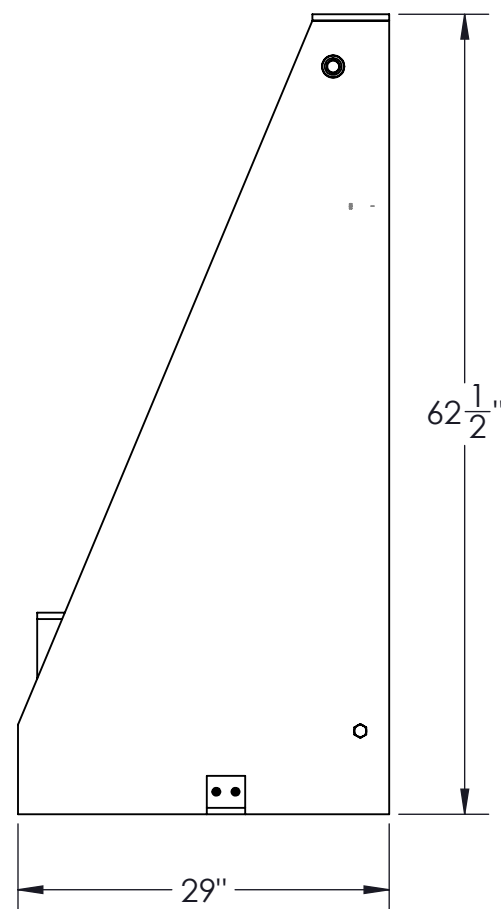
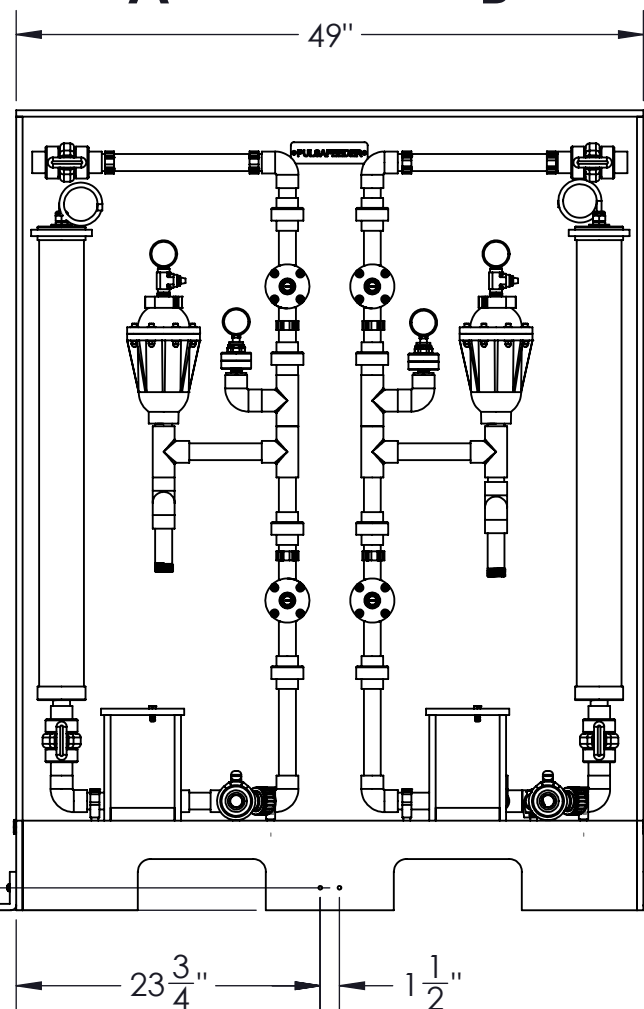
1

REV.	DESCRIPTION	DATE	MOD	CHK'D
A	RELEASE	6/15/2016	FP	



	Y-STRAINER
	TRUE UNION BALL VALVE
	UNION
	TRUE UNION 3 WAY BALL VALVE
	BACK PRESSURE VALVE
	PRESSURE RELIEF VALVE
	PRESSURE GAUGE W/ ISOLATOR
	PULSATION DAMPENER
	CALIBRATION COLUMN

A B



Customer Name: \_\_\_\_\_  
 PO Number: \_\_\_\_\_  
 Notes: \_\_\_\_\_

INTERPRET GEOMETRIC TOLERANCING PER ASME Y14.5M-1994 UNLESS OTHERWISE SPECIFIED

TOLERANCE	MACHINED SURFACES ROUGHNESS
X.X"	± .050"
X.XX"	± .015"
X.XXX"	± .005"
ANGLES	± 0°30'

BREAK ALL SHARP EDGES .015" MAX.  
 ALL DIMENSIONS IN INCHES

DWN	FP	06/17/2016
CHK	XXX	XX/XX/XX

**PULSAFEEDER** IDEX CORPORATION

TITLE  
**BL SKID(PVC), DUPLEX, 1",VITON**

PROPRIETARY DATA: THIS DOCUMENT DISCLOSES INFORMATION AND DATA IN WHICH PULSAFEEDER HAS PROPRIETARY RIGHTS. THE RIGHT TO REPRODUCE, USE OR DISCLOSE IN WHOLE OR IN PART EXCEPT BY WRITTEN PERMISSION IS PROHIBITED.

REV	SIZE	DWG NO	PES2S-BLHF PID
A	B		
FILE	PES2S-BLHF PID		SCALE: 1:15 SHEET 1 OF 1