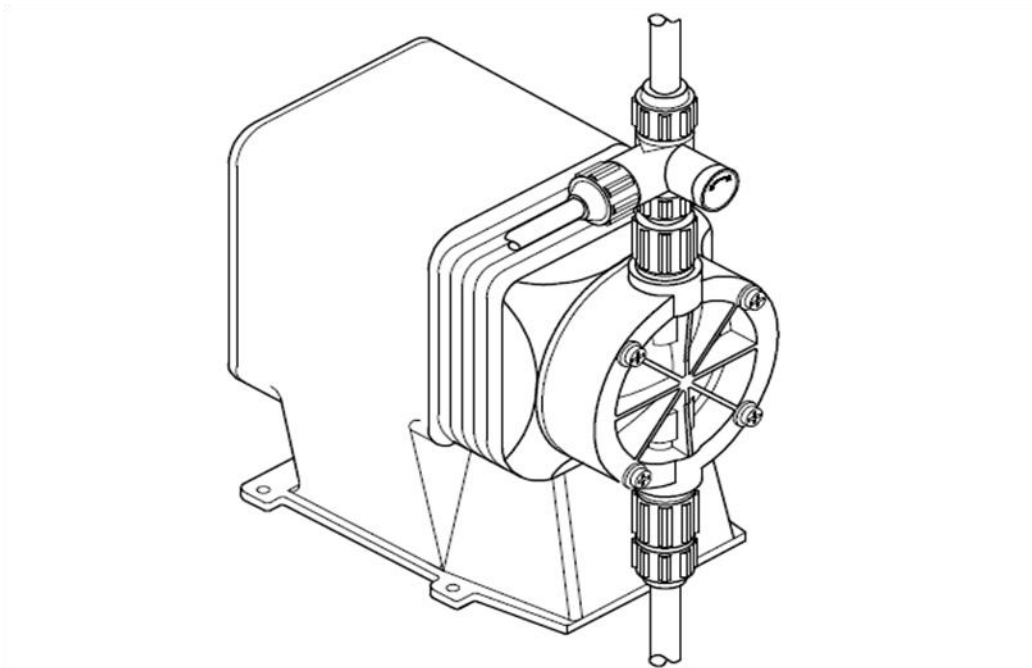


PULSAtron®

Electronic Metering Pumps

IDENTIFICATION SCHEDULE

- **Wetted Component Assemblies**
- **Drive Assemblies**
- **Control Panel Assemblies**
- **New Wet End Parts Sheets**



**PARTS IDENTIFICATION SCHEDULE
TABLE OF CONTENTS**

E-Plus, MP, HV and Series E wetted parts Drawing..... Page 4

E-Plus, MP, HV and Series E Parts Lists..... Page 5-6

Series MP drive assembly Drawing..... Page 7

E-Plus, HV and Series E drive assembly Drawing..... Page 8

E-Plus, MP, HV and Series E Parts Lists..... Page 9-12

Series A-Plus, C-Plus, C, E, And E-DC wetted parts Drawing..... Page 13

Series A-Plus, C-Plus, C, E, And E-DC Parts Lists..... Page 14-15

Series A-Plus, C-Plus, C, E, And E-DC drive assembly Drawing..... Page 16

Series A-Plus, C-Plus, C, drive assembly Drawing (external pace)..... Page 17

Series A-Plus, C-Plus, C, E, And E-DC Parts Lists..... Page 18-20

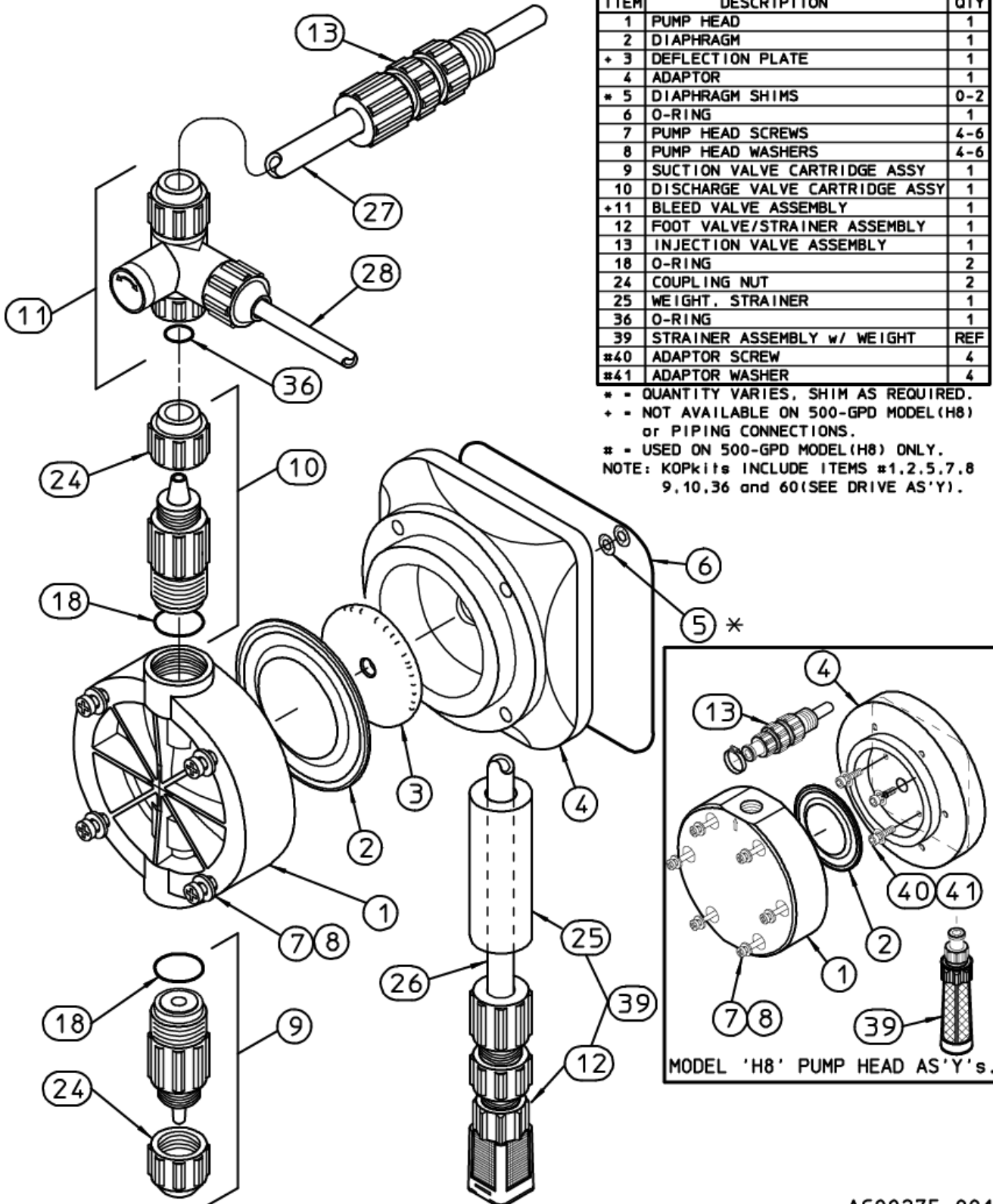
Five Function Valve Parts..... Page 21

Five Function De-Gas Valve Parts..... Page 22

Liquid End Parts Directory Page 23

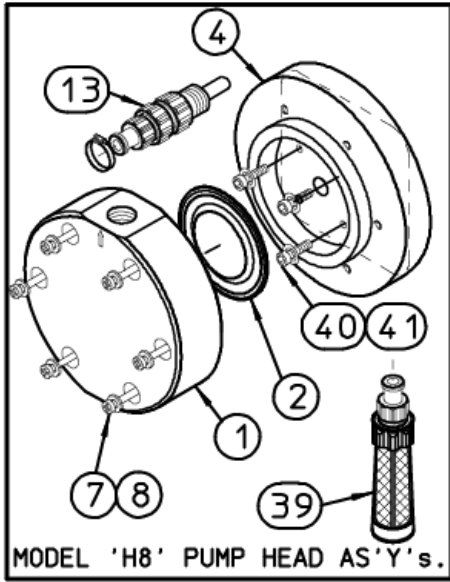
Wet End Parts Sheets..... Page 24-75

SERIES MP, E PLUS, HV AND SERIES E WETTEND COMPONENT ASSEMBLIES PARTS IDENTIFICATION



ITEM	DESCRIPTION	QTY
1	PUMP HEAD	1
2	DIAPHRAGM	1
+ 3	DEFLECTION PLATE	1
4	ADAPTOR	1
* 5	DIAPHRAGM SHIMS	0-2
6	O-RING	1
7	PUMP HEAD SCREWS	4-6
8	PUMP HEAD WASHERS	4-6
9	SUCTION VALVE CARTRIDGE ASSY	1
10	DISCHARGE VALVE CARTRIDGE ASSY	1
+11	BLEED VALVE ASSEMBLY	1
12	FOOT VALVE/STRAINER ASSEMBLY	1
13	INJECTION VALVE ASSEMBLY	1
18	O-RING	2
24	COUPLING NUT	2
25	WEIGHT, STRAINER	1
36	O-RING	1
39	STRAINER ASSEMBLY w/ WEIGHT	REF
#40	ADAPTOR SCREW	4
#41	ADAPTOR WASHER	4

* - QUANTITY VARIES, SHIM AS REQUIRED.
 + - NOT AVAILABLE ON 500-GPD MODEL (H8) or PIPING CONNECTIONS.
 * - USED ON 500-GPD MODEL (H8) ONLY.
 NOTE: KOPkits INCLUDE ITEMS #1,2,5,7,8, 9,10,36 and 60(SEE DRIVE AS'Y).



AC00275.001
 14-E-04
 1:3

SERIES MP, E PLUS, HV AND SERIES E WETTEND COMPONENT ASSEMBLIES

- * Digits 3 & 4 are provided in charts for proper model Identification.
- * More Series E models are shown beginning on page 13
- * Complete model information is published in the price schedule.

PART NO.	QUANTITY	MODEL LM, LV, LP, LE (DIGITS 3, 4)
ITEM NO. 1: PUMP HEAD (GFPPL)		
L0200900-FPP	1	A2, B2, K2 (STANDARD)
L0200300-FPP	1	A3, B3, D3, K3 (STANDARD)
L0200400-FPP	1	B4, D4, E4, F4, G4, H4
L0200500-FPP	1	G5, H5, K5
L0200600-FPP	1	H6
L0200700-FPP	1	H7, K7
L0200800-PPL	1	H8
L0201000-FPP	1	A3, B3, D3, K3 ("J" HEAD OPTION)
ITEM NO. 1: PUMP HEAD (PVC)		
L0200900-PVC	1	A2 (STANDARD AND "J" HEAD OPTION)
L0200300-PVC	1	A3, B3, K3 (STANDARD)
L0200400-PVC	1	B4, D4, G4, E4
L0200500-PVC	1	G5, H5, K5
L0200600-PVC	1	H6
L0200700-HPV	1	H7, K7
L0200800-HPV	1	H8
L0201000-PVC	1	A3, B3, K3 ("J" HEAD OPTION)
ITEM NO. 1: PUMP HEAD (SAN)		
L0200400-SAN	1	B4, E4
ITEM NO. 1: PUMP HEAD (S.S. 316)		
L0200200-316	1	A2, B2, K2
L0200300-316	1	A3, B3, D3
L0200400-316	1	B4, D4, E4, F4, G4, H4
L0200500-316	1	G5, H5
L0200600-316	1	H6
L0200700-316	1	H7, K7
ITEM NO. 1: PUMP HEAD (PVDF)		
L0200900-PVD	1	A2, B2, K2 (STANDARD)
L0200300-PVD	1	A3, B3, D3, K3 (STANDARD)
L0200400-PVD	1	B4, D4, E4
L0200500-PVD	1	G5, H5, K5
L0200600-PVD	1	H6
L0200700-PVD	1	H7, K7
L0201000-PVD	1	A3, B3, D3, K3 ("J" HEAD OPTION)
ITEM NO. 2: DIAPHRAGM		
L0300900-THY	1	A2, B2, K2
L0301000-THY	1	A3, B3, D3, K3
L0301100-THY	1	B4, D4, E4, F4, G4, H4
L0301200-THY	1	G5, H5, K5
L0301300-THY	1	H6
L0301400-THY	1	H7, K7
L0301600-THY	1	H8

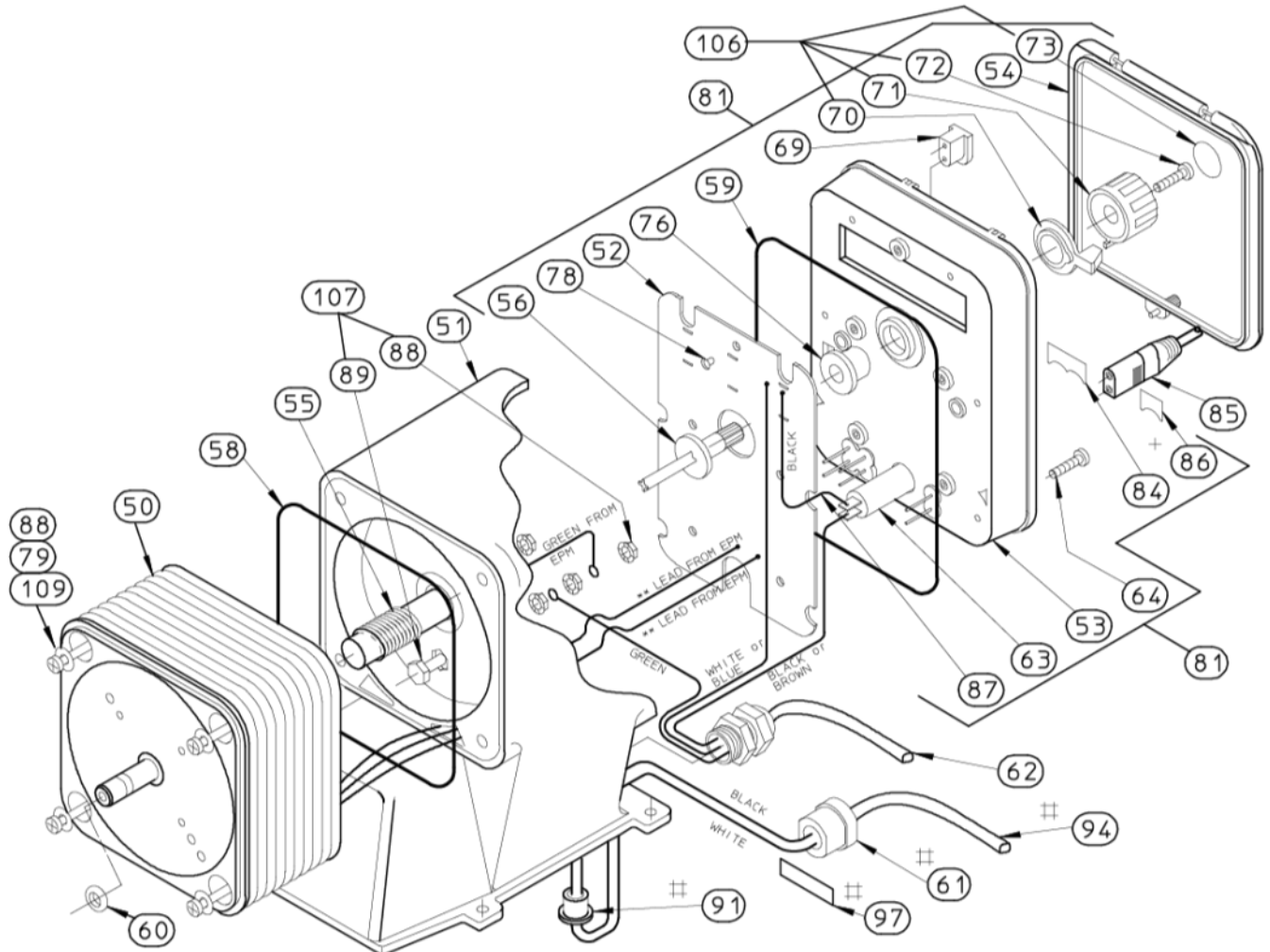
SERIES MP, E PLUS, HV AND SERIES E WETTEND COMPONENT ASSEMBLIES (CONT) PARTS IDENTIFICATION

* More Series E models are shown beginning on page 13

PART NO.	QUANTITY	MODEL LM, LV, LP, LE (DIGITS 3, 4)
ITEM NO. 3: DEFLECTION PLATE		
L2100200-FPP	1	A2, B2, K2
L2100300-FPP	1	A3, B3, D3, K3
L2100400-FPP	1	B4, D4, E4, F4, G4, H4
L2100500-FPP	1	G5, H5, K5
L2100600-FPP	1	H6
L2100700-FPP	1	H7, K7
ITEM NO. 4: ADAPTER (Requires P/N: L9808000-000 EPM Mounting Conversion kit)		
L0400200-FPP	1	A2, B2, K2
L0400300-FPP	1	A3, B3, D3, K3
L0400400-FPP	1	B4, D4, E4, F4, G4, H4
L0400500-FPP	1	G5, K5
L0400600-FPP	1	H4
L0400700-FPP	1	H5
L0400800-FPP	1	H6
L0400900-FPP	1	H7, K7
L0401400-PPL	1	H8
ITEM NO. 5: DIAPHRAGM SHIMS (KIT - CONTAINS 3 SHIMS)		
L3900100-000	0-2	ALL MODELS
ITEM NO. 6: EPM/ADAPTER O-RING		
L1500400-NTR	1	A2, A3, B2, B3, B4, D3, D4, E4, F4, G4, G5, K2, K3, K5
L1500600-NTR	1	H4, H5, H6, H7, H8, K7
ITEM NO. 7 & 8: PUMP HEAD SCREWS AND WASHERS KIT (CONTAINS BOLTS AND WASHERS)		
L3900200-000	4	A2, A3, B2, B3, B4, D3, D4, E4, F4, G4, H4, K2, K3
L3900300-000	4	G5, H5, H6, H7, K5, K7
L3900400-000	6	H8
L3900500-000 (S.S. Head Only)	4	A3, B3, D3, B4, D4, E4, F4, G4, H4, K2, K3
L3900600-000 (S.S. Head Only)	4	G5, H5, H6, H7, K5, K7
ITEM NO. 9: SUCTION VALVE ASSEMBLY		
Refer to the liquid end parts sheets that begin on page 23 for the wet end code of your pump or the price schedule		
ITEM NO. 10: DISCHARGE VALVE ASSEMBLY		
Refer to the liquid end parts sheets that begin on page 23 for the wet end code of your pump or the price schedule		
ITEM NO. 11: BLEED VALVE ASSEMBLY (STANDARD)		
Refer to the liquid end parts sheets that begin on page 23 for the wet end code of your pump or the price schedule		
ITEM NO. 12: FOOT VALVE/STRAINER ASSEMBLY		
Refer to the liquid end parts sheets that begin on page 23 for the wet end code of your pump or the price schedule		
ITEM NO. 13: INJECTION/BACK PRESSURE VALVE ASSEMBLY		
Refer to the liquid end parts sheets that begin on page 23 for the wet end code of your pump or the price schedule		
ITEM NO. 18: SUCTION/DISCHARGE O-RING		
L1501300-HYP	1 EACH	ALL MODELS
L1501300-TFE	1 EACH	ALL MODELS
L1501300-VTN	1 EACH	ALL MODELS
ITEM NO. 24: COUPLING NUTS		
Refer to the liquid end parts sheets that begin on page 23 for the wet end code of your pump or the price schedule		
ITEM NO. 25: CERAMIC TUBE WEIGHT (INCLUDED WITH 39)		
L9906700-000	1	MODELS WITH SUCTION TUBING $\leq 1/2"$ OD
ITEM NO. 36: BLEED VALVE O-RING		
L1501200-TFE	1	ALL MODELS
ITEM NO. 39: FOOT VALVE/STRAINER ASSEMBLY WITH WEIGHT		
Refer to the liquid end parts sheets that begin on page 23 for the wet end code of your pump or the price schedule		

For pumps with the J head option refer to page 21

SERIES MP DRIVE ASSEMBLY AND CONTROL PANEL PARTS IDENTIFICATION



ITEM	DESCRIPTION	QTY	ITEM	DESCRIPTION	QTY
50	ELEC. POWER MODULE(EPM)	1	73	KNOB STICKER,STROKE LG.	1
51	HOUSING	1	74	EPM MOUNTING SCREW	4
52	ELECTRONIC CONTROL BOARD	1	76	GROMMET,STROKE LENGTH	1
53	CONTROL PANEL	1	77	TOUCH PAD(NOT SHOWN)	1
54	DUST COVER ASSEMBLY	1	78	CIRCUIT MOUNT SCREW	5
55	FEMALE ADJUSTMENT SHAFT	1	79	EPM MOUNTING WASHER	4
56	MALE ADJUSTMENT SHAFT	1	81	CONTROL PANEL ASSEMBLY	REF
57	EPM RETAINING PLATE	1	84	STOP/SIGNAL LABEL	1
58	EPM/HOUSING O-RING	1	85	STOP/FUNC.CORD(NOT SHOWN)	2-3
59	CONTROL PANEL O-RING	1	86+	RELAY LABEL	1
60	SECONDARY SEAL	1	87	JUMPER WIRE	1
61#	STRAIN RELIEF(SIGNAL)	1	88	GROUND LUG NUT w/ WASHER	7
62	POWER CORD AS'Y, HSG.#2	1	89	GROUND LUG BOLT	1
	POWER CORD AS'Y, HSG.#3		91#	SIGNAL CORD BUSHING	1
63	CIRCUIT BREAKER	1	92	BREAKER COVER(NOT SHOWN)	1
64	CONTROL PANEL SCREWS	5-6	94#	SIGNAL CORD	1
69	PIN PLUG	2	97#	SIGNAL/POWER LABEL	1
71	KNOB,STROKE LENGTH	1	106	KNOB KIT, STROKE LENGTH	REF
72	KNOB MOUNTING SCREW	1	107	GROUND LUG KIT	REF
73	KNOB STICKER,STROKE LG.	1	109	SCREW, EMP MOUNTING	4

= USED ON POWER RELAY MODEL ONLY.

+ = USED ON SIGNAL RELAY MODEL ONLY.

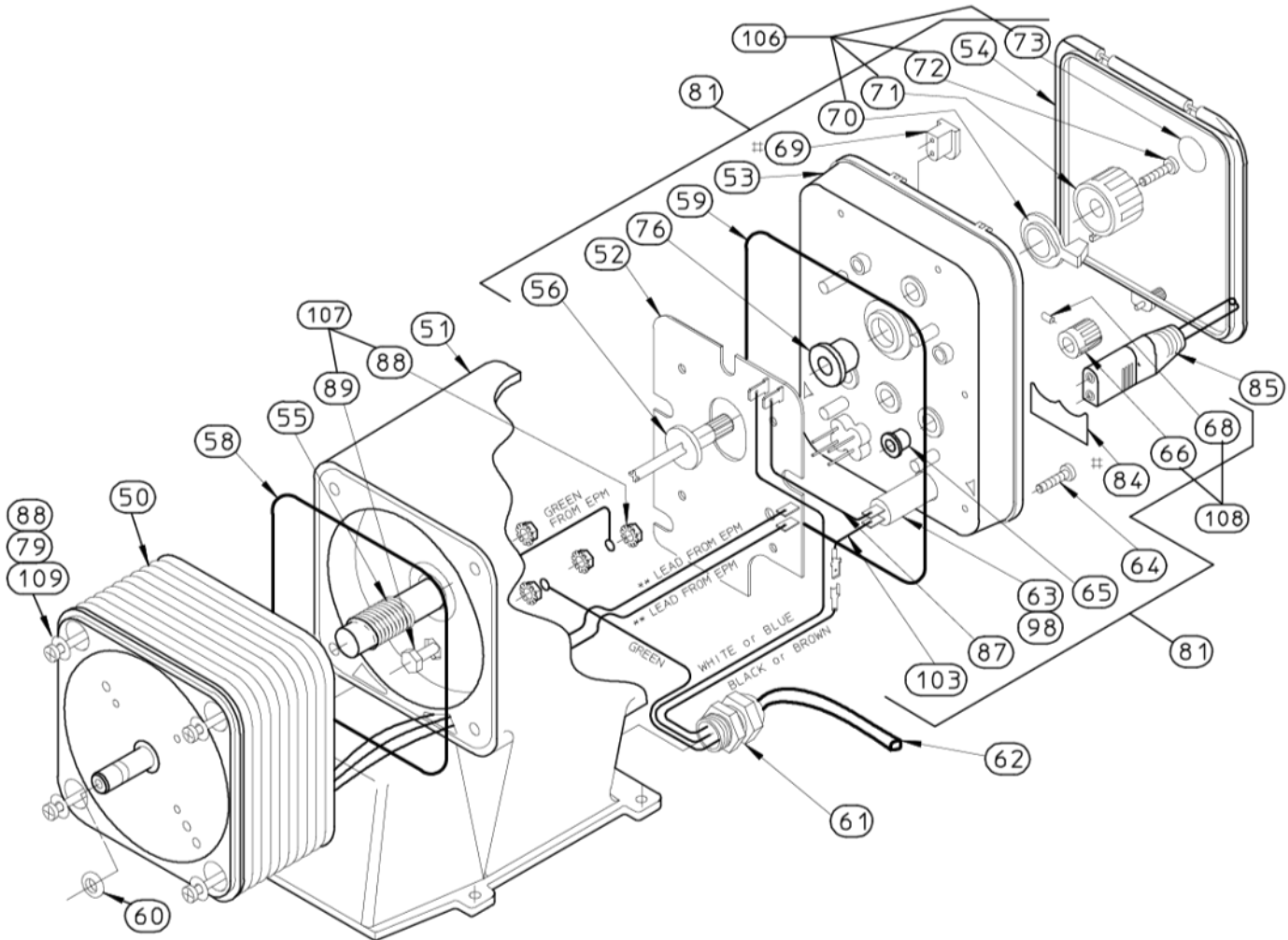
** = 115 VOLT EPM UNITS HAVE GREY LEADS, 230 VOLT EPM UNITS HAVE RED LEADS.

NOTE: TERMINAL LOCATIONS ON THE CIRCUIT BOARD VARY DEPENDING ON THE CONTROL OPTION.

AC00273.001

14-E-04

SERIES E PLUS, HV AND SERIES E DRIVE ASSEMBLY AND CONTROL PANEL PARTS IDENTIFICATION



ITEM	DESCRIPTION	QTY	ITEM	DESCRIPTION	QTY
50	ELEC. POWER MODULE(EPM)	1	70	LOCKING TAB	1
51	HOUSING	1	71	KNOB,STROKE LENGTH	1
52	ELECTRONIC CONTROL BOARD	1	72	KNOB MOUNTING SCREW	1
53	CONTROL PANEL	1	73	KNOB STICKER,STROKE LG.	1
54	DUST COVER ASSEMBLY	1	74	EPM MOUNTING SCREW	4
55	FEMALE ADJUSTMENT SHAFT	1	76	GROMMET,STROKE LENGTH	1
56	MALE ADJUSTMENT SHAFT	1	77	PANEL LABEL (NOT SHOWN)	1
57	EPM RETAINING PLATE	1	79	EPM MOUNTING WASHER	4
58	EPM/HOUSING O-RING	1	81	CONTROL PANEL ASSEMBLY	REF
59	CONTROL PANEL O-RING	1	#84	STOP/FCTN LABEL	1
60	SECONDARY SEAL	1	#85	STOP/FUNCT.CORD (NOT SHOWN)	2
61	STRAIN RELIEF	1	87	JUMPER WIRE	1
62	POWER CORD AS'Y, HSG.#2	1	88	GROUND LUG NUT w/ WASHER	3
	POWER CORD AS'Y, HSG.#3		89	GROUND LUG BOLT	1
63	FUSE HOLDER	1	98	FUSE	1
64	CONTROL PANEL SCREW	5-6	103	LEAD ASS'Y, PWR.CONNECTION	1
65	GROMMET,STROKE RATE/SWITCH	2	106	KNOB KIT, STROKE LENGTH	REF
66	KNOB,STROKE RATE/SWITCH	2	107	GROUND LUG KIT	REF
68	KNOB SET SCREW	2	108	STROKE RATE KNOB KIT	REF
#69	PIN PLUG	2	109	SCREW, EPM MOUNTING	4

= THESE ITEMS USED ON EXTERNAL PACING, STOP & 4-20ma/STOP OPTIONS.
NOTE: TERMINAL LOCATIONS ON THE CIRCUIT BOARD VARY
DEPENDING ON THE CONTROL OPTION.

AC00276.001
14-E-04

SERIES MP, E PLUS, HV AND SERIES E

* More Series E models are shown beginning on page 13

PART NO.	QUANTITY	VOLTAGE	MODEL LM, LP, LE, LV (DIGITS 3, 4)
ITEM NO. 40: ADAPTER SCREW			
L9802600-188	4	H8 ONLY	
ITEM NO. 41: ADAPTER WASHER			
L9802800-188	4	H8 ONLY	
ITEM NO. 50: EPM			
L0100100-115	1	115V	A2, A3, B2, B3, B4, K2, K3
L0100100-230	1	230V	A2, A3, B2, B3, B4, K2, K3
L0100200-115	1	115V	D3, D4, E4
L0100200-230	1	230V	D3, D4, E4
L0100300-115	1	115V	F4, G4, G5, K5
L0100300-230	1	230V	F4, G4, G5, K5
L0100400-115	1	115V	H4, H5, H6, H7 (EXCEPT LVH7), K7, LMH8
L0100400-230	1	230V	H4, H5, H6, H7 (EXCEPT LVH7), K7, LMH8
L0100700-115	1	115V	LVH7, H8 (EXCEPT LMH8)
L0100700-230	1	230V	LVH7, H8 (EXCEPT LMH8)
ITEM NO. 51: HOUSING			
L0500100-080	1	-	H4, H5, H6, H7, H8, K7
L0501100-040	1	-	A2, A3, B2, B3, B4, D3, D4, F4, K2, K3
L0501100-080	1	-	E4, G4, G5, K5
ITEM NO. 52: ELECTRONIC CONTROL BOARD - STANDARD (LE ONLY)			
L0700701-125	1	115V	K2, K3
L0700702-125	1	230V	K2, K3
L0707501-150	1	115V	F4, G4, K5, G5
L0707502-150	1	230V	F4, G4, K5, G5
L0707601-200	1	115V	H4, H5, H6, H7,, K7
L0707602-200	1	230V	H4, H5, H6, H7, K7
L0709401-220	1	115V	H8
L0709402-220	1	230V	H8
ITEM NO. 52: ELECTRONIC CONTROL BOARD - STANDARD (LP & LV ONLY)			
L0700101-125	1	115V	A2, A3, B2, B3, B4, D3, D4, E4, K2, K3
L0700102-125	1	230V	A2, A3, B2, B3, B4, D3, D4, E4, K2, K3
L0700501-150	1	115V	F4, G4, G5, K5
L0700502-150	1	230V	F4, G4, G5, K5
L0700501-200	1	115V	H4, H5, H6, H7, (EXCEPT LVH7), K7
L0700502-200	1	230V	H4, H5, H6, H7, (EXCEPT LVH7), K7
L0709101-220	1	115V	LVH7, H8
L0709102-220	1	230V	LVH7, H8
ITEM NO. 52: ELECTRONIC CONTROL BOARD - EXT/STOP (LP & LV ONLY)			
L0700201-125	1	115V	A2, A3, B2, B3, B4, D3, D4, E4, K2, K3
L0700202-125	1	230V	A2, A3, B2, B3, B4, D3, D4, E4, K2, K3
L0700801-150	1	115V	F4, G4, G5, K5
L0700802-150	1	230V	F4, G4, G5, K5
L0700801-200	1	115V	H4, H5, H6, H7, (EXCEPT LVH7), K7
L0700802-200	1	230V	H4, H5, H6, H7, (EXCEPT LVH7), K7
L0709301-220	1	115V	LVH7, H8
L0709302-220	1	230V	LVH7, H8
ITEM NO. 52: ELECTRONIC CONTROL BOARD - 4-20mA/STOP (LP & LV ONLY)			
L0700401-125	1	115V	A2, A3, B2, B3, B4, D3, D4, E4, K2, K3
L0700402-125	1	230V	A2, A3, B2, B3, B4, D3, D4, E4, K2, K3
L0700901-150	1	115V	F4, G4, G5, K5
L0700902-150	1	230V	F4, G4, G5, K5
L0700901-200	1	115V	H4, H5, H6, H7, (EXCEPT LVH7), K7
L0700902-200	1	230V	H4, H5, H6, H7, (EXCEPT LVH7), K7
L0709201-220	1	115V	LVH7, H8
L0709202-220	1	230v	LVH7, H8
ITEM NO. 52: ELECTRONIC CONTROL BOARD - SIGNAL LEVEL (LM ONLY)			
***See Item #81			
ITEM NO. 52: ELECTRONIC CONTROL BOARD - POWER LEVEL (LM ONLY)			
*** See Item #81			

SERIES MP, E PLUS, HV AND SERIES E DRIVE ASSEMBLY AND CONTROL PANEL (CONT) PARTS IDENTIFICATION

* More Series E models are shown beginning on page 13

PART NO.	QUANTITY	VOLTAGE	MODEL (DIGITS 3, 4)
ITEM NO. 53: CONTROL PANEL - STANDARD (LE ONLY)			
SEE ITEM #81	1	-	
ITEM NO. 53: CONTROL PANEL - STANDARD (LP & HV ONLY)			
SEE ITEM #81	1	-	
ITEM NO. 53: CONTROL PANEL - EXT/STOP AND 4-20mA/STOP (LP & HV ONLY)			
SEE ITEM #81	1	-	
ITEM NO. 53: CONTROL PANEL - SIGNAL LEVEL (LM ONLY)			
SEE ITEM #81	1	-	
ITEM NO. 53: CONTROL PANEL - POWER LEVEL (LM ONLY)			
SEE ITEM #81	1	-	
ITEM NO. 54: DUST COVER ASSEMBLY (LM, HV, AND LP ONLY)			
L1600500-000	1	-	A2, A3, B2, B3, B4, D3, D4, E4, F4, G4, G5, K2, K3, K5
L1600400-000	1	-	H4, H5, H6, H7, H8, K7
ITEM NO. 55: FEMALE ADJUSTMENT SHAFT			
L2000100-040	1	-	A2, A3, B2, B3, B4, D3, D4, F4, K2, K3
L2000100-080	1	-	E4, G4, G5, H4, H5, H6, H7, H8, K5, K7
ITEM NO. 56: MALE ADJUSTMENT SHAFT			
L2000300-PBT	1	-	ALL MODELS
ITEM NO. 58: O-RING EPM/HOUSING			
L1500400-NTR	1	-	A2, A3, B2, B3, B4, D3, D4, E4, F4, G4, G5, K2, K3, K5
L1500500-NTR	1	-	H4, H5, H6, H7, H8, K7
ITEM NO. 59: CONTROL PANEL O-RING			
L1500300-NTR	1	-	A2, A3, B2, B3, B4, D3, D4, E4, F4, G4, G5, K2, K3, K5
L1500500-NTR	1	-	H4, H5, H6, H7, H8, K7
ITEM NO. 60: SECONDARY SEAL			
L1500700-NTR	1	-	ALL MODELS
ITEM NO. 62: POWER CORD			
L9701200-000	1	115V	H4, H5, H6, H7, H8, K7
L9701300-000	1	230V	H4, H5, H6, H7, H8, K7
L9700301-000	1	115V	K2, B2, A2, D3, B3, A3, K3, F4, D4, B4, G4, E4, K5,
L9700401-000	1	230V	K2, B2, A2, D3, B3, A3, K3, F4, D4, B4, G4, E4, K5,
ITEM NO. 63: OVERLOAD DEVICE (CIRCUIT BREAKER) OR FUSE HOLDER			
L9700700-250	1	115V/230V	ALL MODELS WITH CIRCUIT BREAKER
L9706901-000	1	115V/230V	ALL MODELS WITH FUSE HOLDER
ITEM NO. 64: CONTROL PANEL SCREWS			
L9800200-188	7	-	ALL LM, HV, AND LP MODELS
L9800300-188	5	-	ALL LE MODELS
ITEM NO. 65: GROMMET STROKE RATE/SWITCH			
L1500800-NTR	2	-	ALL MODELS

SERIES MP, E PLUS, HV AND SERIES E DRIVE ASSEMBLY AND CONTROL PANEL (CONT) PARTS IDENTIFICATION

* More Series E models are shown beginning on page 13

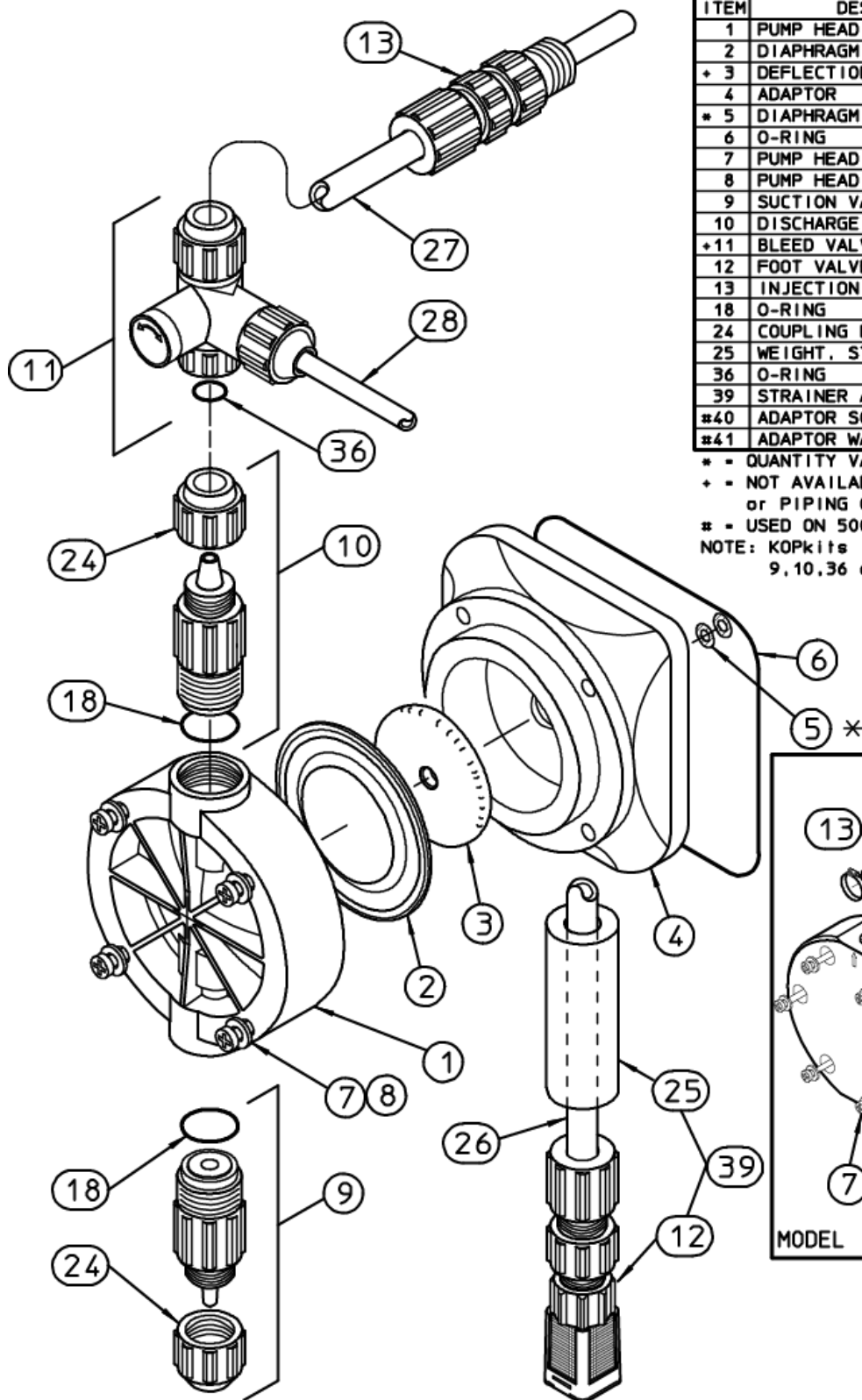
PART NO.	QUANTITY	VOLTAGE	MODEL (DIGITS 3, 4)
ITEM NO. 69: PIN PLUG - EXT/STOP & 4-20mA/STOP (LP, LM & LV ONLY)			
L9700900-000	2 - 3	-	ALL MODELS
ITEM NO. 74: EPM MOUNTING KIT (Kit includes 4 screws, 4 washers, and 4 nuts)			
L9808000-000	1	-	A2, A3, B2, B3, B4, K2, K3
L9808000-000	1	-	D3, D4, E4, H4, H5, H6, H7, H8, K7
L9808000-000	1	-	F4, G4, G5, K5
ITEM NO. 76: GROMMET STROKE LENGTH			
L1500900-NTR	1	-	ALL MODELS
ITEM NO. 78: SCREW, CIRCUIT BOARD MOUNTING (LM ONLY)			
L9805300-STL	5	-	ALL MODELS
ITEM NO. 81: CONTROL PANEL ASSEMBLY - STANDARD (DUAL FUNCTION) (LE ONLY)			
L5024700-115	1	115V	K3
L5024700-230	1	230V	K3
L5024800-115	1	115V	F4, G4, G5
L5024800-230	1	230V	F4, G4, G5
L5025000-115	1	115V	H4, H5, H6, H7,
L5025000-230	1	230V	H4, H5, H6, H7,
L5024600-115	1	115V	K2
L5024600-230	1	230V	K2
L5024900-115	1	115V	K5
L5024900-230	1	230V	K5
L5025100-115	1	115V	K7
L5025100-230	1	230V	K7
L5028500-115	1	115V	H8
L5028500-230	1	230V	H8
ITEM NO. 81: CONTROL PANEL ASSEMBLY - STANDARD (DUAL FUNCTION) (LP & LV ONLY)			
L5000801-115	1	115V	A2, A3, B2, B3, B4, D3, D4, E4, K3
L5000801-230	1	230V	A2, A3, B2, B3, B4, D3, D4, E4, K3
L5000301-115	1	115V	F4, G4, G5
L5000301-230	1	230V	F4, G4, G5
L5001301-115	1	115V	H4, H5, H6, H7, (EXCEPT LVH7)
L5001301-230	1	230V	H4, H5, H6, H7, (EXCEPT LVH7)
L5028201-115	1	115V	LVH7, H8
L5028201-230	1	230V	LVH7, H8
L5003011-115	1	115V	K2
L5003011-230	1	230V	K2
L5003012-115	1	115V	K5
L5003012-230	1	230V	K5
L5003701-115	1	115V	K7
L5003701-230	1	230V	K7
ITEM NO. 81: CONTROL PANEL ASSEMBLY - EXTERNAL/STOP (LP & LV ONLY)			
L5000901-115	1	115V	A2, A3, B2, B3, B4, D3, D4, E4, K3
L5000901-230	1	230V	A2, A3, B2, B3, B4, D3, D4, E4, K3
L5000401-115	1	115V	F4, G4, G5
L5000401-230	1	230V	F4, G4, G5
L5001401-115	1	115V	H4, H5, H6, H7, (EXCEPT LVH7)
L5001401-230	1	230V	H4, H5, H6, H7, (EXCEPT LVH7)
L5028301-115	1	115V	LVH7, H8
L5028301-230	1	230V	LVH7, H8
L5003013-115	1	115V	K2
L5003013-230	1	230V	K2
L5003014-115	1	115V	K5
L5003014-230	1	230V	K5
L5003801-115	1	115V	K7
L5003801-230	1	230V	K7

SERIES MP, E PLUS, HV AND SERIES E DRIVE ASSEMBLY AND CONTROL PANEL (CONT) PARTS IDENTIFICATION

* More Series E models are shown beginning on page 13

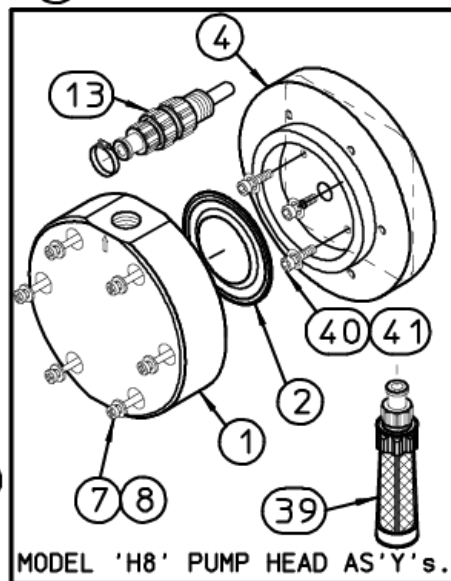
PART NO.	QUANTITY	VOLTAGE	MODEL (DIGITS 3, 4)
ITEM NO. 81: CONTROL PANEL ASSEMBLY - 4-20mA/STOP (LP & LV ONLY)			
L5001001-115	1	115V	A2, A3, B2, B3, B4, D3, D4, E4, K3
L5001001-230	1	230V	A2, A3, B2, B3, B4, D3, D4, E4, K3
L5000501-115	1	115V	F4, G4, G5
L5000501-230	1	230V	F4, G4, G5
L5001501-115	1	115V	H4, H5, H6, H7, (EXCEPT LVH7)
L5001501-230	1	230V	H4, H5, H6, H7, (EXCEPT LVH7)
L5028401-115	1	115V	LVH7, H8
L5028401-230	1	230V	LVH7, H8
L5003015-115	1	115V	K2
L5003015-230	1	230V	K2
L5003016-115	1	115V	K5
L5003016-230	1	230V	K5
L5003903-115	1	115V	K7
L5003903-230	1	230V	K7
ITEM NO. 81: CONTROL PANEL ASSEMBLY - SIGNAL LEVEL (LM ONLY)			
L5007301-115	1	115V	A2, A3, B2, B3, B4, D3, D4, E4, K3
L5007301-230	1	230V	A2, A3, B2, B3, B4, D3, D4, E4, K3
L5007501-115	1	115V	K2
L5007501-230	1	230V	K2
L5007101-115	1	115V	F4, G4, G5
L5007101-230	1	230V	F4, G4, G5
L5007701-115	1	115V	K5
L5007701-230	1	230V	K5
L5006901-115	1	115V	H4, H5, H6, H7, H8
L5006901-230	1	230V	H4, H5, H6, H7, H8
L5007901-115	1	115V	K7
L5007901-230	1	230V	K7
ITEM NO. 81: CONTROL PANEL ASSEMBLY - POWER LEVEL (LM ONLY)			
L5007401-115	1	115V	A2, A3, B2, B3, B4, D3, D4, E4, K3
L5007401-230	1	230V	A2, A3, B2, B3, B4, D3, D4, E4, K3
L5007601-115	1	115V	K2
L5007601-230	1	230V	K2
L5007201-115	1	115V	F4, G4, G5
L5007201-230	1	230V	F4, G4, G5
L5007801-115	1	115V	K5
L5007801-230	1	230V	K5
L5007001-115	1	115V	H4, H5, H6, H7, H8
L5007001-230	1	230V	H4, H5, H6, H7, H8
L5008001-115	1	115V	K7
L5008001-230	1	230V	K7
ITEM NO. 85: STOP/FUNC. CORDS			
L9700200-000	2 - 3	-	ALL MODELS
ITEM NO. 92: BREAKER COVER			
L9700800-000	1	-	ALL MODELS WITH CIRCUIT BREAKER
ITEM NO. 106: STROKE LENGTH KNOB KIT			
L3900900-000	1	-	ALL MODELS
ITEM NO. 107: GROUND LUG KIT (CONTAINS 1 BOLT AND 3 NUTS)			
L3901000-000	1	-	ALL MODELS
ITEM NO. 108: KNOB, STROKE RATE/SWITCH WITH SET SCREW			
L1900800-000	2	-	ALL MODELS

SERIES A PLUS, C, C PLUS, E AND E-DC WETTEND COMPONENT ASSEMBLIES PARTS IDENTIFICATION



ITEM	DESCRIPTION	QTY
1	PUMP HEAD	1
2	DIAPHRAGM	1
+ 3	DEFLECTION PLATE	1
4	ADAPTOR	1
* 5	DIAPHRAGM SHIMS	0-2
6	O-RING	1
7	PUMP HEAD SCREWS	4-6
8	PUMP HEAD WASHERS	4-6
9	SUCTION VALVE CARTRIDGE ASSY	1
10	DISCHARGE VALVE CARTRIDGE ASSY	1
+11	BLEED VALVE ASSEMBLY	1
12	FOOT VALVE/STRAINER ASSEMBLY	1
13	INJECTION VALVE ASSEMBLY	1
18	O-RING	2
24	COUPLING NUT	2
25	WEIGHT, STRAINER	1
36	O-RING	1
39	STRAINER ASSEMBLY w/ WEIGHT	REF
#40	ADAPTOR SCREW	4
#41	ADAPTOR WASHER	4

* = QUANTITY VARIES, SHIM AS REQUIRED.
 + = NOT AVAILABLE ON 500-GPD MODEL (H8)
 or PIPING CONNECTIONS.
 # = USED ON 500-GPD MODEL (H8) ONLY.
 NOTE: KOPkits INCLUDE ITEMS #1,2,5,7,8
 9,10,36 and 60(SEE DRIVE AS'Y).



AC00275.001
 14-E-04
 1:3

SERIES A PLUS, C, C PLUS, E AND E-DC WETTEND COMPONENT ASSEMBLIES PARTS IDENTIFICATION

- * Product Class: Series A-Plus = LB, Series C = LC, Series C-Plus = LD, Series E = LE
Series E-DC = LS
- * Digits 3 & 4 are provided in charts for proper model Identification.
- * Complete model information is published in the price schedule.
- * When X appears under product class it signifies part is not used or is not available.

PART NO.	QUANTITY	LC, LD MODELS (DIGIT 3, 4)	LB, LE, LS MODELS (DIGIT 3, 4)
ITEM NO. 1: PUMP HEAD (GFPPL)			
L0200900-FPP	1	02 (STANDARD)	02, 12 (STANDARD)
L0200300-FPP	1	03, (STANDARD)	03, C3, 13, 33 (STANDARD)
L0200400-FPP	1	04, 54	04, 14, 34, 44, 64, C4
L0201000-FPP	1	03, ("J" HEAD OPTION)	03, C3, 13, 33 ("J" HEAD OPTION)
ITEM NO. 1: PUMP HEAD (PVC)			
L0200900-PVC	1	02 (STD & "J" HEAD OPTION)	02 (STD & "J" HEAD OPTION)
L0200300-PVC	1	03, (STANDARD)	03, C3, 13 (STANDARD)
L0200400-PVC	1	04, 54	04, 14, 34, 44, 64, C4
L0201000-PVC	1	03, ("J" HEAD OPTION)	03, C3, 13 ("J" HEAD OPTION)
ITEM NO. 1: PUMP HEAD (SAN)			
L0200400-SAN	1	04, 54	04, 14, 44, 64, C4
ITEM NO. 1: PUMP HEAD (PVDF)			
L0200900-PVD	1	02 (STANDARD)	02, 12 (STANDARD)
L0200300-PVD	1	03, (STANDARD)	03, C3, 13, 33 (STANDARD)
L0200400-PVD	1	04, 54	04, 14, 34, 44, 64, C4
L0201000-PVD	1	03, ("J" HEAD OPTION)	03, C3, 13, 33 ("J" HEAD)
ITEM NO. 1: PUMP HEAD (S.S. 316)			
L0200200-316	1	02	02, 12
L0200300-316	1	03,	03, C3, 13, 33
L0200400-316	1	04, 54	04, 14, 34, 44, 64, C4
ITEM NO. 2: DIAPHRAGM			
L0300900-THY	1	02	02, 12
L0301000-THY	1	03,	03, C3, 13, 33
L0301100-THY	1	04, 54	04, 14, 34, 44, 64, C4
ITEM NO. 3: DEFLECTION PLATE			
L2100200-FPP	1	02	02, 12
L2100300-FPP	1	03,	03, C3, 13, 33
L2100400-FPP	1	04, 54	04, 14, 34, 44, 64, C4
ITEM NO. 4: ADAPTOR			
L0401100-FPP	1	02	02, 12
L0401200-FPP	1	03,	03, C3, 13
L0401300-FPP	1	04, 54	04, 14, 64, C4
L0400300-FPP	1	X	33
L0400400-FPP	1	X	34, 44
ITEM NO. 5: DIAPHRAGM SHIMS (KIT)			
L3900100-000	0-2	ALL MODELS	ALL MODELS
ITEM NO. 6: EPM/ADAPTER O-RING			
L1502000-EPB	1	ALL MODELS	02, 03, C3, 04, 12, 13, 14, 64, C4
L1500400-NTR	1	X	33, 34, 44

SERIES A PLUS, C, C PLUS, E AND E-DC WETTEND COMPONENT ASSEMBLIES

PART NO.	QUANTITY	LC, LD MODELS (DIGIT 3, 4)	LB, LE, LS MODELS (DIGIT 3, 4)
ITEM NO. 7 & 8: PUMP HEAD SCREWS AND WASHERS KIT (CONTAINS 4 BOLTS AND 4 WASHERS)			
L3900200-000	4	ALL MODELS	ALL MODELS
L3900500-000 (316 HEAD)	4	ALL MODELS	ALL MODELS

ITEM NO. 9: SUCTION VALVE ASSEMBLY

Refer to the liquid end parts sheets that begin on page 23 for the wet end code of your pump or the price schedule

ITEM NO. 10: DISCHARGE VALVE ASSEMBLY

Refer to the liquid end parts sheets that begin on page 23 for the wet end code of your pump or the price schedule

ITEM NO. 11: BLEED VALVE ASSEMBLY

Refer to the liquid end parts sheets that begin on page 23 for the wet end code of your pump or the price schedule

ITEM NO. 12: FOOT VALVE/STRAINER ASSEMBLY

Refer to the liquid end parts sheets that begin on page 23 for the wet end code of your pump or the price schedule

ITEM NO. 13: INJECTION/BACK PRESSURE VALVE

Refer to the liquid end parts sheets that begin on page 23 for the wet end code of your pump or the price schedule

ITEM NO. 18: SUCTION/DISCHARGE O-RING

L1501300-HYP	1 EACH	ALL MODELS	ALL MODELS
L1501300-TFE	1 EACH	ALL MODELS	ALL MODELS
L1501300-VTN	1 EACH	ALL MODELS	ALL MODELS

ITEM NO. 24: COUPLING NUT

Refer to the liquid end parts sheets that begin on page 23 for the wet end code of your pump or the price schedule

ITEM NO. 25: CERAMIC TUBE WEIGHT (INCLUDED WITH 39)

L9906700-000	1	SEE WET END PARTS SHEETS BEGINNING ON PAGE 23	
--------------	---	---	--

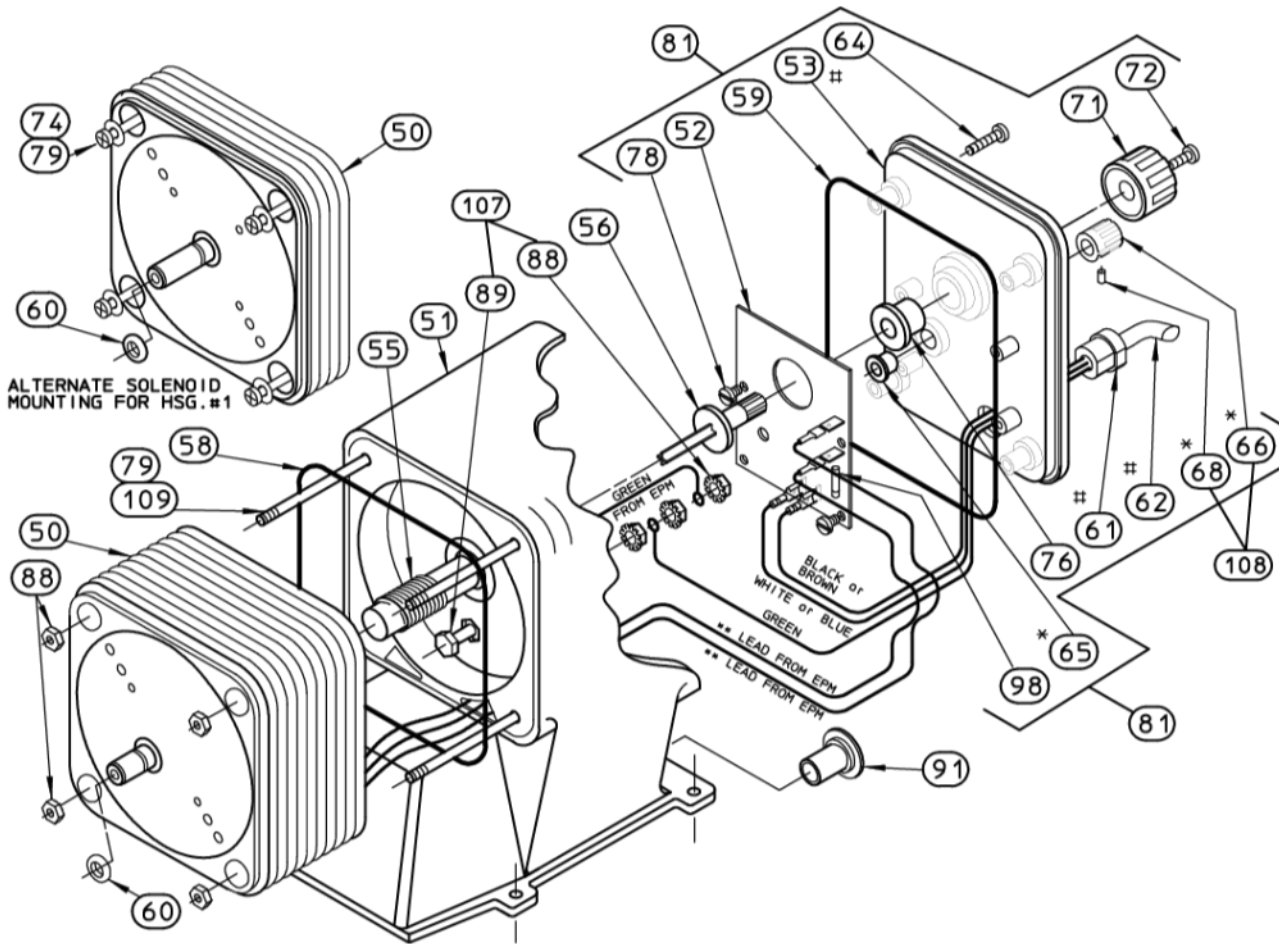
ITEM NO. 36: BLEED VALVE O-RING

L1501200-TFE	1	ALL MODELS	ALL MODELS
--------------	---	------------	------------

ITEM NO. 39: FOOT VALVE/STRAINER ASSEMBLY WITH WEIGHT

Refer to the liquid end parts sheets that begin on page 23 for the wet end code of your pump or the price schedule

SERIES A PLUS, C, C PLUS, E AND E-DC DRIVE ASSEMBLY AND CONTROL PANEL PARTS IDENTIFICATION

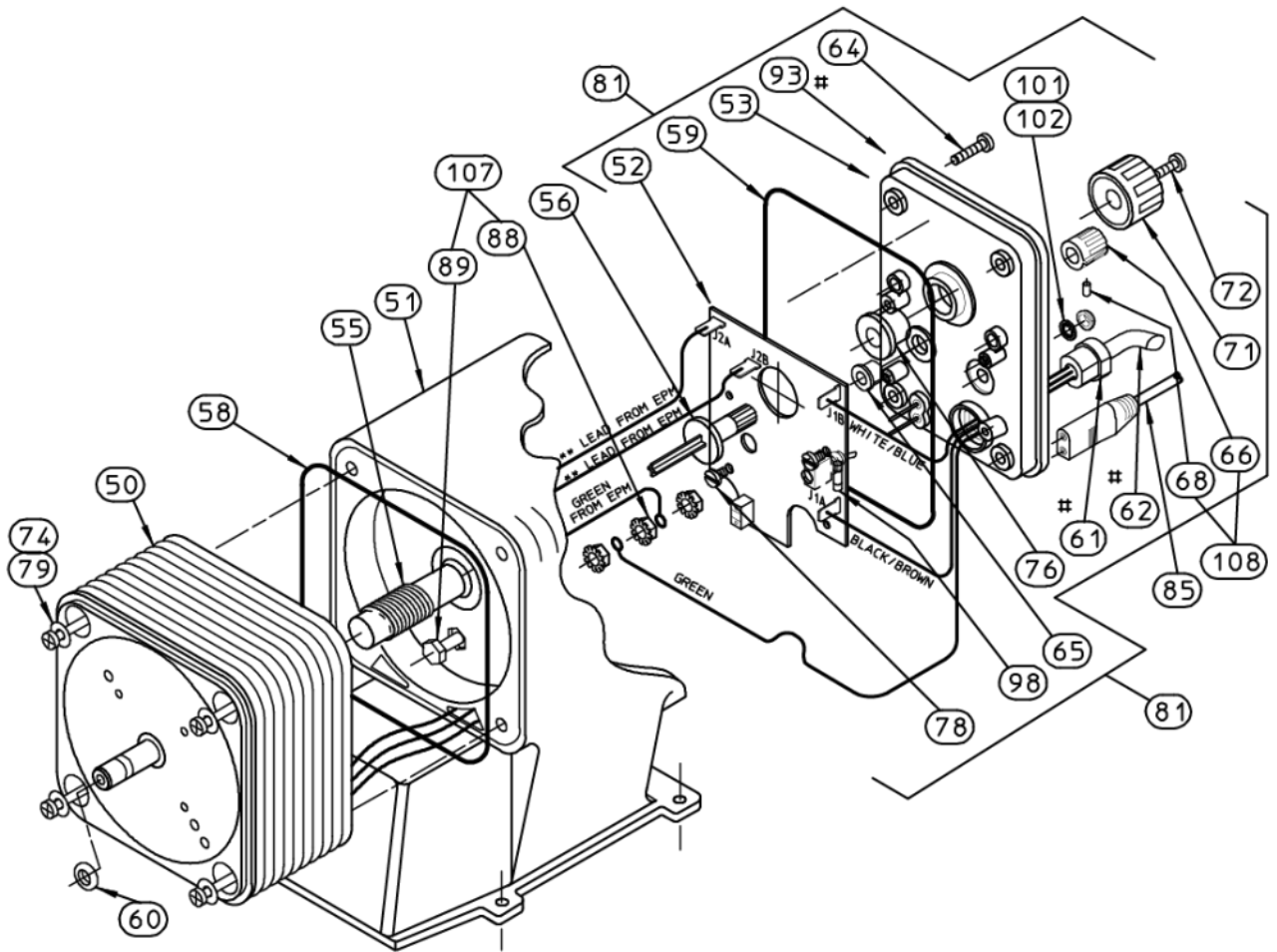


ITEM	PART NAME	QTY	ITEM	PART NAME	QTY
50	ELECTRONIC POWER MODULE	1	72	SCREW, KNOB MOUNTING	1
51	HOUSING	1	74	SCREW, EPM MOUNTING(HSG.#1)	4
52	ELECTRONIC CONTROL BOARD	1	76	GROMMET, STROKE LENGTH	1
53#	CONTROL PANEL	1	77#	PANEL LABEL (NOT SHOWN)	1
55	FEMALE ADJUSTMENT SHAFT	1	78	SCREW, ELECTRONIC CONTROL BOARD	2
56	MALE ADJUSTMENT SHAFT	1	79	EPM MOUNTING WASHER	4
57	EPM RETAINING PLATE	1	81	CONTROL PANEL ASSEMBLY	REF
58	EPM/HOUSING O-RING	1	88+	GROUND LUG NUT w/ WASHER	3
59	CONTROL PANEL O-RING	1	89+	GROUND LUG BOLT	1
60	SECONDARY SEAL	1	91	PLUG, WIRE ENTRY(#3 HSG. ONLY)	1
61#	STRAIN RELIEF	1	93	CONTROL PANEL SUB-ASSEMBLY	REF
62#	POWER CORD	1	98	FUSE	1
64	CONTROL PANEL SCREW	4-5	107	GROUND LUG KIT	REF
65*	GROMMET, STROKE RATE/SWITCH	1	108	STROKE RATE KNOB KIT	REF
68*	KNOB, SET SCREW	1	109	SCREW, EPM MOUNTING(HSG.#2/3)	4
71	KNOB, STROKE LENGTH	1			

- # = COMPONENTS OF ITEM #93.
- * = THESE ITEMS NOT USED ON 'LC' MODEL PUMPS.
- ** = 115 VOLT EPM UNITS HAVE GREY LEADS.
- ** = 230 VOLT EPM UNITS HAVE RED LEADS.
- ** = 12 vDC EPM UNITS HAVE WHITE LEADS.
- + = THESE ITEMS ARE NOT USED ON 12vDC POWERED UNITS.

AC00277.001
14-J-05

SERIES A PLUS, C, C PLUS, (EXTERNAL PACE) DRIVE ASSEMBLY AND CONTROL PANEL PARTS IDENTIFICATION



ITEM	DESCRIPTION	QTY	ITEM	DESCRIPTION	QTY
50	ELEC. POWER MODULE(EPM)	1	72	SCREW, KNOB MOUNTING	1
51	HOUSING	1	74	SCREW, EPM MOUNTING	4
52	ELECTRONIC CONTROL BOARD	1	76	GROMMET, STROKE LENGTH	1
53#	CONTROL PANEL	1	77#	LABEL, PANEL (NOT SHOWN)	1
55	SHAFT, FEMALE ADJUSTMENT	1	78	SCREW, ELEC. CTRL. BOARD	2
56	SHAFT, MALE ADJUSTMENT	1	79	WASHER, EPM MOUNTING	4
58	O-RING, EPM/HOUSING	1	81	CONTROL PANEL ASSEMBLY	1
59	O-RING, CONTROL PANEL	1	88	GROUND LUG NUT w/ WASHER	3
60	SECONDARY SEAL	1	89	GROUND LUG BOLT	1
61#	STRAIN RELIEF	1	93	CONTROL PANEL SUB-ASSEMBLY	1
62#	POWER CORD	1	98	FUSE	1
64	SCREW, CONTROL PANEL	4	101	WASHER, INT. LOCK TOGGLE	1
65	GROMMET, STROKE RATE/SWITCH	1	102	NUT, PANEL TOGGLE	1
66	KNOB, STROKE RATE	1	107	GROUND LUG KIT	REF
68	KNOB MOUNTING SCREW	1	108	STROKE RATE KNOB KIT	REF
71	KNOB, STROKE LENGTH	1			

= COMPONENTS OF ITEM #93.

** = 115 VOLT EPM UNITS HAVE GREY LEADS,
230 VOLT EPM UNITS HAVE RED LEADS.

SERIES A PLUS, C, C PLUS, E AND E-DC DRIVE ASSEMBLY AND CONTROL PANEL PARTS IDENTIFICATION

PART NO.	QUANTITY	VOLTAGE	LC, LD MODELS (DIGIT 3, 4)	LB, LE, LS MODELS (DIGIT 3, 4)
ITEM NO. 50: EPM				
L0100200-115	1	115V	X	LE 33, 34, 44
L0100200-230	1	230V	X	LE 33, 34, 44
L0100500-115	1	115V	54 (LC ONLY)	64, C4,
L0100500-230	1	230V	54 (LC ONLY)	64, C4,
L0100600-115	1	115V	X	LE 02, 03, 12, 13, 14
L0100600-230	1	230V	X	LE 02, 03, 12, 13, 14
L0100500-115	1	115V	02, 03, 04	LB 02, 03,C3, 04
L0100500-230	1	230V	02, 03, 04	LB 02, 03,C3, 04
L0100500-115	1	115V	54 (LD ONLY)	X
L0100500-230	1	230V	54 (LD ONLY)	X
L0100200-012	1	12 VDC	X	LS 44
L0100600-012	1	12 VDC	X	LS 02, 13, 14
ITEM NO. 51: HOUSING				
L0500300-040	1	-	02,03,04	02, 03,C3, 04, 12, 13, 14
L0500300-080	1	-	54	64, C4
L0501100-040	1	-	X	33, 34
L0501100-080	1	-	X	44
ITEM NO. 52: ELECTRONIC CONTROL BOARD (DUAL FUNCTION)				
L9906201-000	1	115V	ALL LD MODELS	ALL LB MODELS LE02,03,12,13,14,34,33,44
L9906202-000	1	230V	ALL LD MODELS	ALL LB MODELS LE 02,03,12,13,14,34,33,44
L9906500-000	1	115V	ALL LC MODELS	X
L9906600-000	1	230V	ALL LC MODELS	X
L0701900-150	1	12 VDC	X	ALL LS MODELS
ITEM NO. 52: ELECTRONIC CONTROL BOARD (EXTERNAL PACED MODELS)				
***See Item #81				
ITEM NO. 53: CONTROL PANEL				
L0601000-000	1	-	ALL MODELS	02, 03, C3, 04, 12, 13, 14, 64, C4
L0601100-000	1	-	X	33, 34, 44
ITEM NO. 55: FEMALE ADJUSTMENT SHAFT				
L2000200-040	1	-	02,03,04	02, 03,C3, 04, 12, 13, 14
L2000200-080	1	-	54	64, C4
L2000100-040	1	-	X	33, 34
L2000100-080	1	-	X	44
ITEM NO. 56: MALE ADJUSTMENT SHAFT				
L2000400-PBT	1	-	ALL MODELS	02, 03,C3,04, 12, 13, 14, 64, C4
L2000300-PBT	1	-	X	33, 34, 44
ITEM NO. 58: O-RING, EMP/HOUSING				
L1502000-EPB	1	-	ALL MODELS	02, 03, C3,04, 12, 13, 14, 64, C4
L1500400-NTR	1	-	X	33, 34, 44
ITEM NO. 59: CONTROL PANEL O-RING				
L1500100-EPB	1	-	ALL MODELS	02, 03,C3, 04, 12, 13, 14, 64, C4
L1500300-NTR	1	-	X	33, 34, 44

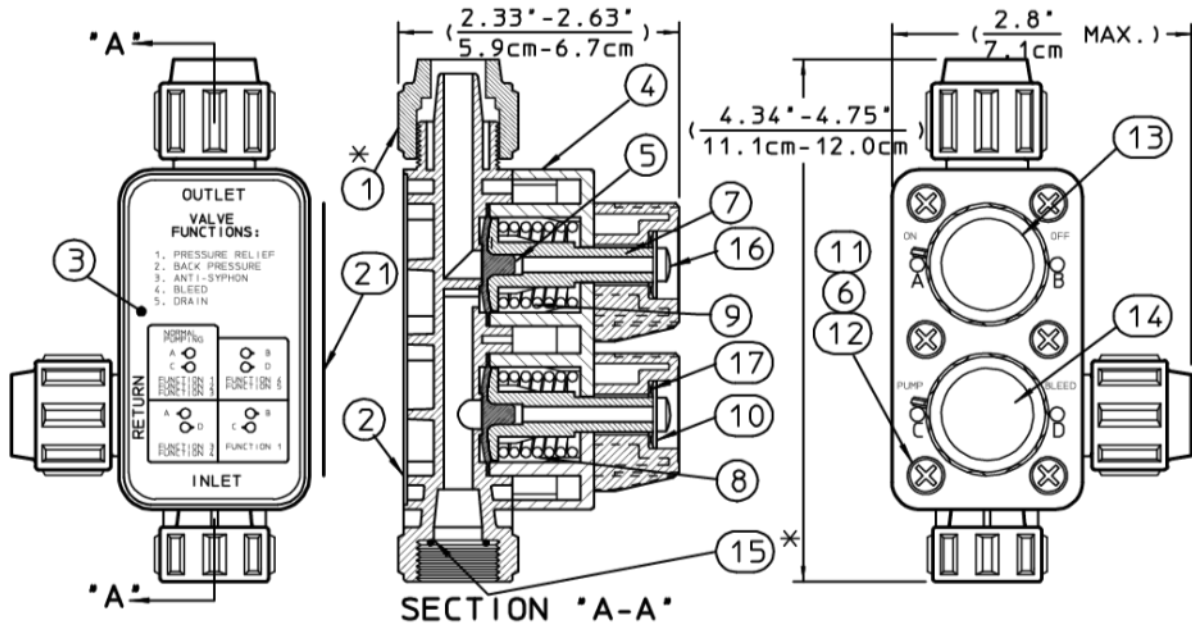
SERIES A PLUS, C, C PLUS, E AND E-DC DRIVE ASSEMBLY AND CONTROL PANEL PARTS IDENTIFICATION

PART NO.	QUANTITY	VOLTAGE	LC, LD MODELS (DIGIT 3, 4)	LB, LE, LS MODELS (DIGIT 3, 4)
ITEM NO. 60: SECONDARY SEAL				
L1500700-NTR	1	-	ALL MODELS	ALL MODELS
ITEM NO. 61: STRAIN RELIEF				
L9900700-000	1	-	ALL MODELS	ALL LB, LS MODELS LE02,03,12,13,14,34,33,44
ITEM NO. 62: POWER CORD				
L9700300-000	1	115V	ALL MODELS	ALL LB, MODELS LE02,03,12,13,14,34,33,44
L9700400-000	1	230V	ALL MODELS	ALL LB, MODELS LE02,03,12,13,14,34,33,44
L9703500-000	1	12 VDC	ALL MODELS	ALL LS MODELS
ITEM NO. 63: OVERLOAD DEVICE (STANDARD MANUAL)				
L9711200-000	1	115V/230V	ALL MODELS	ALL LB, MODELS LE02,03,12,13,14,34,33,44
L9704700-000	1	12 VDC	X	ALL LS MODELS
ITEM NO. 63: OVERLOAD DEVICE (EXTERNAL PACED MODELS)				
L9707300-000	1	115V/230V	ALL MODELS	ALL MODELS
ITEM NO. 64: CONTROL PANEL SCREW (KIT)				
L3900700-000	4	-	ALL MODELS	ALL LB LS MODELS LE02,03,12,13,14,34,33,44
ITEM NO. 65: GROMMET, STROKE RATE/SWITCH				
L1500800-NTR	1	-	ALL LD MODELS	ALL MODELS
ITEM NO. 71: STROKE LENGTH KNOB				
L1900300-FPP	1	-	ALL MODELS	ALL MODELS
ITEM NO. 72: MOUNTING SCREW STROKE LENGTH KNOB				
L9800200-188	1	-	ALL MODELS	ALL MODELS
ITEM NO. 74: EPM MOUNTING SCREWS				
L9800300-STL	4	-	ALL MODELS	02, 03, C3,04, 12, 13, 14, 64, C4
L9808000-000 (screw Kit)	1	-	X	33, 34, 44
ITEM NO. 76: GROMMET STROKE LENGTH				
L1500900-NTR	1	-	ALL MODELS	ALL MODELS
ITEM NO. 78: ELECTRONIC CONTROL BOARD SCREW KIT				
L9907600-000	1	-	ALL MODELS	ALL LB LS MODELS LE02,03,12,13,14,34,33,44
ITEM NO. 79: EPM MOUNTING WASHER				
L9801900-STL	4	-	ALL MODELS	02, 03,C3, 04, 12, 13, 14, 64,C4
L9800700-STL	4	-	X	33, 34, 44
ITEM NO. 81: CONTROL PANEL ASSEMBLY (DUAL FUNCTION)				
L5000100-012	1	12 VDC	X	LS 02, 13, 14
L5000100-115	1	115V	X	02, 03, 04, 12, 13, 14
L5000100-230	1	230V	X	02, 03,04, 12, 13, 14
L5000101-115	1	115V	LD 02, 03, 04	X
L5005300-230	1	230V	LD 02, 03, 04	X
L5000200-012	1	12 VDC	X	44 (LS ONLY)
L5000200-115	1	115V	X	33, 34, 44
L5000200-230	1	230V	X	33, 34, 44
L5004100-115	1	115V	54 (LD ONLY)	X
L5004100-230	1	230V	54 (LD ONLY)	X
L5004800-115	1	115V	X	64
L5004900-230	1	230V	X	64
L5005200-115	1	115V	X	LB 02, 03, C3,04,C4
L5005300-230	1	230V	X	LB 02, 03,C3, 04,C4

**SERIES A PLUS, C, C PLUS, E AND E-DC
DRIVE ASSEMBLY AND CONTROL PANEL**

PART NO.	QUANTITY	VOLTAGE	LC, LD MODELS (DIGIT 3, 4)	LB, LE, LS MODELS (DIGIT 3, 4)
ITEM NO. 81: CONTROL PANEL ASSEMBLY (SINGLE FUNCTION) FIXED FREQ.				
L5002900-115	1	115V	02, 03, 04	X
L5002900-230	1	230V	02, 03, 04	X
L5003000-115	1	115V	54	X
L5003000-230	1	230V	54	X
ITEM NO. 81: CONTROL PANEL ASSEMBLY (EXTERNAL PACED MODELS)				
L5013000-115	1	115V	LC 02, 03, 04	X
L5013000-230	1	230V	LC 02, 03, 04	X
L5011000-115	1	115V	54 (LC ONLY)	X
L5011000-230	1	230V	54 (LC ONLY)	X
L5009300-115	1	115V	X	LB 02, 03, C3, 04, C4
L5009300-230	1	230V	X	LB 02, 03, C3, 04, C4
L5010900-115	1	115V	X	64 (LB ONLY)
L5010900-230	1	230V	X	64 (LB ONLY)
ITEM NO. 85: SIGNAL CORD (EXTERNAL PACED MODELS)				
L9700200-000	1	-	ALL MODELS	ALL MODELS
ITEM NO. 101: LOCKWASHER (EXTERNAL PACED MODELS)				
L9708700-000	1	-	ALL MODELS	ALL MODELS
ITEM NO. 102: PANEL NUT (EXTERNAL PACED MODELS)				
L9708600-000	1	-	ALL MODELS	ALL MODELS
ITEM NO. 107: GROUND LUG KIT (CONTAINS 1 BOLT AND 3 NUTS)				
L3901000-000	1	-	ALL MODELS	ALL MODELS
ITEM NO. 108: KNOB, STROKE RATE/SWITCH WITH SET SCREW				
L1900800-000	2	-	ALL LD MODELS	ALL MODELS

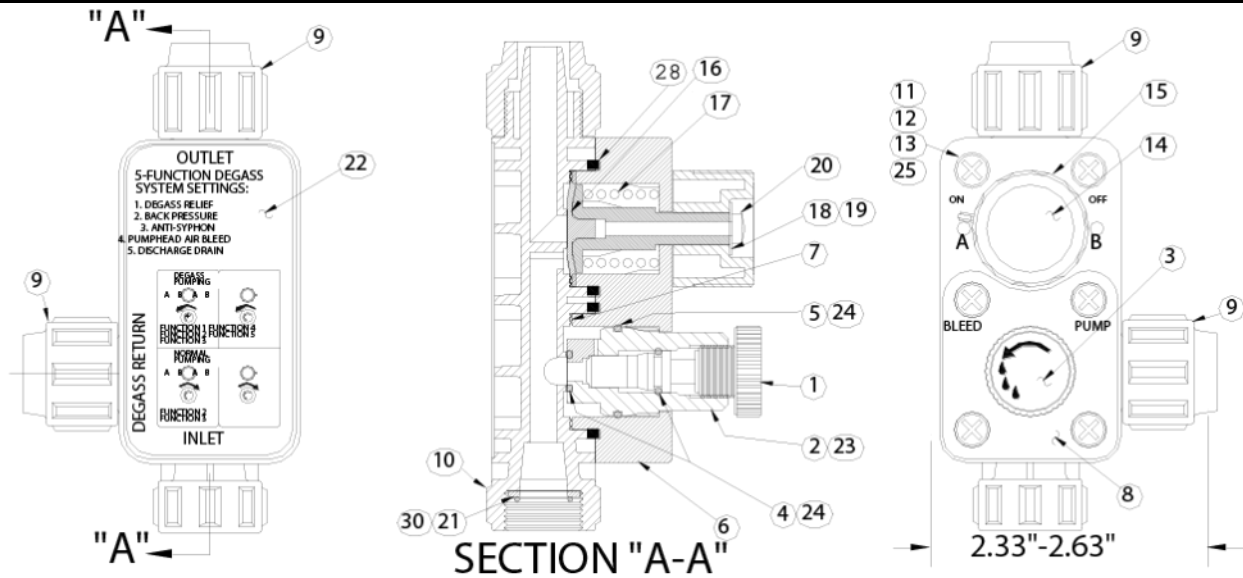
FIVE FUNCTION VALVE PARTS IDENTIFICATION



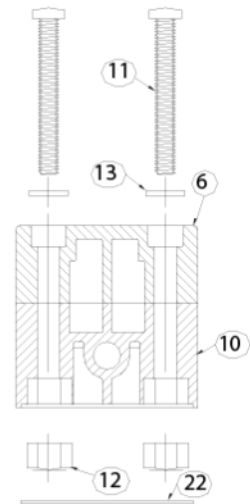
PART NO.	QTY	SIZE	FIVE FUNCTION VALVES
ITEM NO. 1: COUPLING NUT			
L1100300-FPP	2	.38" O.D.	FPP w/ .38"OD CONNECT.
L1100300-PVD	2	.38" O.D.	PVD w/ .38"OD CONNECT.
L1100400-FPP	2	.50" O.D.	FPP w/ .5"OD CONNECT.
L1100400-PVD	2	.50" O.D.	PVD w/ .5"OD CONNECT.
ITEM NO. 2: BODY, VALVE			
L1103900-FPP	1	.25" -NPT	FPP w/ .25"NPT CONNECT.
L1103900-PVD	1	.25" -NPT	PVD w/ .25"NPT CONNECT.
L1104000-FPP	1	.38" O.D. TUBE	FPP w/ .38"OD CONNECT.
L1104000-PVD	1	.38" O.D. TUBE	PVD w/ .38"OD CONNECT.
L1104100-FPP	1	.50" O.D. TUBE	FPP w/ .5"OD CONNECT.
L1104100-PVD	1	.50 O.D. TUBE	PVD w/ .5"OD CONNECT.
ITEM NO. 3: LABEL, FIVE FUNCTION			
L1704500-000	1	-	ALL
ITEM NO. 4: BODY BLOCK			
L1104200-FPP	1	-	ALL
ITEM NO. 5: DIAPHRAGM & SHAFT ASSEMBLY			
L0301900-000	2	-	ALL
ITEM NO. 6: FLAT WASHER			
L9805000-000	6	-	ALL
ITEM NO. 7: KNOB, ADJUSTMENT			
L1900600-FPP	2	-	ALL
ITEM NO. 8: SPRING, P.R.V.			
L1104500-000	1	100 PSI	ALL 100 PSI MODEL
L1104600-000	1	150 PSI	ALL 150 PSI MODEL
L1104700-000	1	250 PSI	ALL 250 PSI MODEL

PART NO.	QTY	SIZE	FIVE FUNCTION VALVES
ITEM NO. 9: SPRING			
L1104400-000	1	-	ALL
ITEM NO. 10: FLAT WASHER			
L9804600-188	2	-	ALL
ITEM NO. 11: SCREW, FILLISTER			
L9804700-188	6	#10 - 32 x 1.5" lg.	ALL
ITEM NO. 12: HEX NUT			
U0812299	6	#10 - 32 x .125" thk.	ALL
L9805100-000	6	washer (not show n)	ALL
ITEM NO. 13: LABEL, KNOB			
L1704600-000	1	-	ALL
ITEM NO. 14: LABEL, KNOB			
L1701601-000	1	100 PSI (BLUE)	ALL 100 PSI MODEL
L1701602-000	1	150 PSI (GREEN)	ALL 150 PSI MODEL
L1701603-000	1	250 PSI (RED)	ALL 250 PSI MODEL
ITEM NO. 15: GASKET, O-RING, TFE			
L1501200-TFE	1	-	ALL w/ TUBING CONNECT.
ITEM NO. 16: SCREW, SELF-TAP			
L9800200-188	2	.75" lg.	ALL
ITEM NO. 17: SPRING, CURVED WASHER			
L9904400-188	2	-	ALL
ITEM NO. 18: FLAT WASHER			
J42020	12	-	ALL

FIVE FUNCTION DEGAS VALVE PARTS IDENTIFICATION



ITEM	PART #	DESCRIPTION	QTY
1	L1110200-PVD	SHAFT AS'Y, VALVE SCREW, 5-FUNCT/DEGAS	1
2	L1110000-PVD	ADAPTER(PVDF), CONVERSION VLV 5-FUNCT/DEGAS	1
3	L1701305-000	LABEL, DECAL BLEED SCREW	1
4	L1501100-HYP	O-RING(HYP), #2-010	1
	L1501100-VTN	O-RING(VTN), #2-010	1
5	W078200-HYP	O-RING(HYP), #2-018	2
	W078200-VTN	O-RING(VTN), #2-018	2
6	L1109900-PVD	BLOCK(PVDF), MODIFIED VLV 5-FUNCT/DEGAS	1
7	L1503300-HYP	GASKET(HYP), FLAT	1
	L1503300-VTN	GASKET(VTN), FLAT	1
8	L1713700-000	LABEL, BLEED/PUMP DECAL 5-FUNCT/DEGAS	1
9	L1100300-PVD	NUT(PVDF), COUPLING .38in.-TUBE	2
	L1100400-PVD	NUT(PVDF), COUPLING .50in.-TUBE	2
10	L1104000-PVD	BODY(PVDF), VALVE .38in.-TUBE 5-FUNCTION	1
	L1104100-PVD	BODY(PVDF), VALVE .50in.-TUBE 5-FUNCTION	1
	L1103900-PVD	BODY(PVDF), VALVE .25 NPT 5-FUNCTION	1
11	L9804700-188	SCREW(SST), #10-32 x1.5in.-lg. PHP	6
12	L9809700-188	NUT(SST), #10-32 x .25 thk. HEX	6
13	L9805001-000	WASHER(SST), #10-FLAT	6
14	L1701600-000	LABEL(BLK), STROKE LENGTH KNOB DECAL	1
15	L1900600-FPP	KNOB(FPP-BLK), ADJUSTMENT 5-FUNCT/DEGAS	1
16	L0301900-000	DIAPHRAGM AS'Y, 5-FUNCT/DEGAS VALVE	1
17	L1104600-000	SPRING, VALVE 150-PSI 5-FUNCT/DEGAS	1
18	L9904400-188	SPRING(SST), CURVED WASHER	1
19	L9804600-188	WASHER(SST), FLAT .19 x .56 5-FUNCT/DEGAS	1
20	06-008-26	SCREW(SST), #8 x 1.0in.-lg. TYPE-1	1
21	L1501200-VTN	GASKET(VTN), 2-013	1
22	L1713500-000	LABEL, INSTRUCTION DECAL 5-FUNCT/DEGAS	1
23	L9902100-188	PIN(SST), ROLL \U+2205.06x.63in.-lg.	2
24	L1110000-PVD	ADAPTER, CONVERSION VALVE 5-FUNCT/DEGAS	1
25	J00003	LUBE, SILICONE	A/R
26	L9407500-000	MANUAL, 5-FUNCTION/DEGAS	1
27	L1715xxx-00D	LABEL, DECAL 5-FUNCTION/DEGAS	1
28	L1504100-000	O-RING, .989 X 1.121 X .066 VITON	2
30	J27903	GSK(TFE)..05X.455X.69	1



NOTES:

1. WHEN INSTALLING O-RINGS(IT.#20 & #21), LUBE WITH LUBE, SILICONE (IT.#26) TO PREVENT O-RING DAMAGE.
2. INSTALL CONVERSION VALVE ADAPTER(IT.#25) WITH SMALL BYPASS HOLE IN A VERTICAL POSITION TOWARDS TOP ADJ. KNOB(IT.#7).

LIQUID END PARTS DIRECTORY

The following pages can be used to identify the most commonly requested replacement parts for most PULSAtron pump models. If your pumps liquid end code is not listed refer to the price schedule. Use the model number from your pump to identify the parts sheet that applies to your pump:

EXAMPLE PUMP MODEL:

Model:	L B 6 4 S A- K T C 1- X X X
--------	-----------------------------

The liquid end code for this pump would be:

KTC1

Liquid End Code	PAGE
ATS4	24
ATS4	25
VVC9 & VHC9	26
KTC1	27
KTC2	28
KTC3	29
KTC4	30
KTCJ	31
KTT3	32
PHC1	33
PHC2	34
PHC3	35
PHC4	36
PHCB	37
PTC1	38
PTC2	39
PTC3	40
PTC4	41
PTC5	42
PTCB	43
PTCJ	44
PTS5	45
PTT1	46
PTT2	47
PTT3	48
PTT4	49
PTTB	50
PVC1	51
PVC2	52
PVC3	53
PVC4	54
PVCB	55
VHC1	56
VHC2	57
VHC3	58
VHC4	59
VTC1	60
VTC2	61
VTC3	62
VTC4	63
VTCA	64
VVC1	65
VVC2	66
VVC3	67
VVC4	68
WTC1	69
WTC2	70
WTC3	71
WTC4	72
WTCA	73
WTCB	74
WTCJ	75

ATS2 WET END PARTS

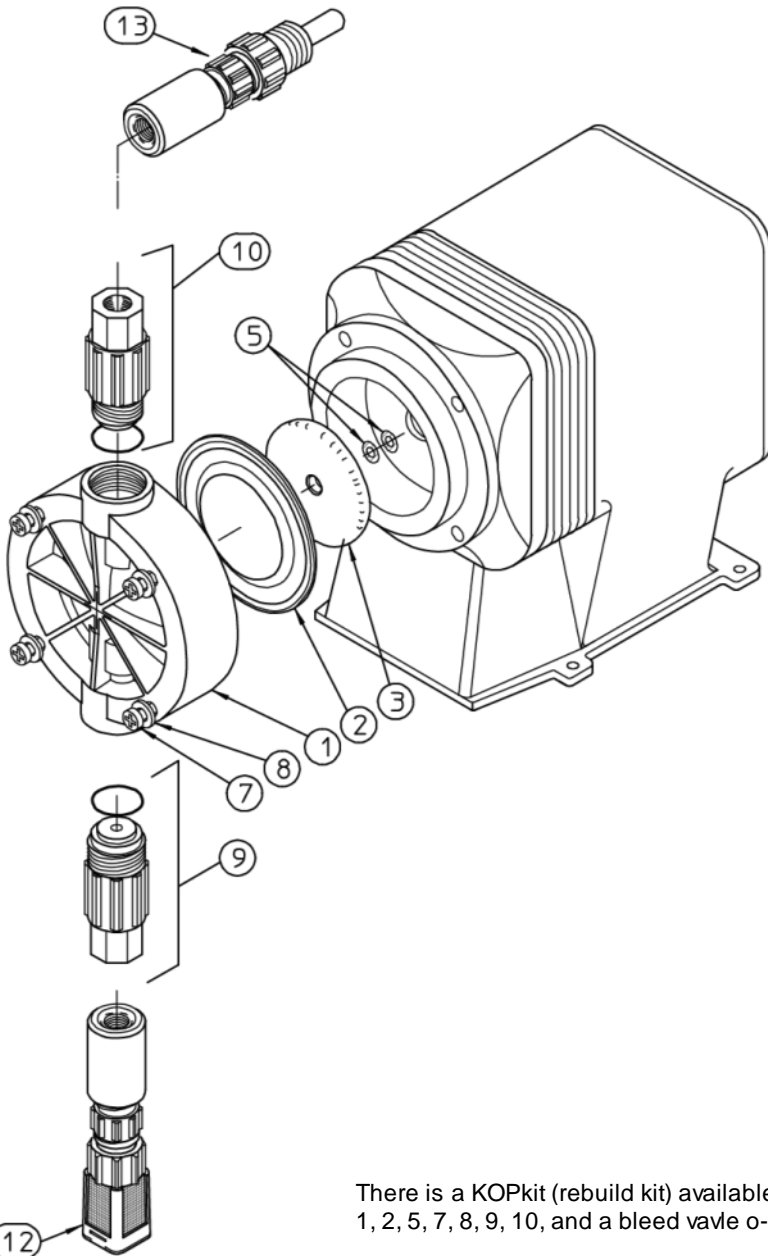
The following part numbers are the pump models with liquid end code ATS2 in the model
EXAMPLE: B64SA-ATS2-XXX

Use the fourth digit in the model number from your pump to identify the part numbers below

EXAMPLE MODEL:

Position	1	2	3	4	5	6	-	7	8	9	10	-	11	12	13
Model:	L	B	6	4	S	A	-	A	T	S	2	-	X	X	X

For example the pump head (ITEM #1) for this pump would be:
Part Number: L0200400-316



PART NUMBER	QTY	DIGIT IN POSITION NUMBER FOUR OF THE MODEL NUMBER
ITEM NO. 1: PUMP HEAD (PVD)		
L0200200-316	1	2
L0200300-316	1	3
L0200400-316	1	4
ITEM NO. 2: DIAPHRAGM		
L0300900-THY	1	2
L0301000-THY	1	3
L0301100-THY	1	4
ITEM NO. 3: DEFLECTION PLATE		
L2100200-FPP	1	2
L2100300-FPP	1	3
L2100400-FPP	1	4
ITEM NO. 5: SHIM (0-2 REQUIRED)		
L9901200-BRS	0-2	ANY DIGIT
ITEM NO. 7 & 8: PUMP HEAD SCREWS AND WASHERS KIT (CONTAINS BOLTS AND WASHERS)		
L3900500-000	1	2,3, OR 4
ITEM NO. 9: SUCTION VALVE		
L3101TS2-316	1	ANY DIGIT
ITEM NO. 10: DISCHARGE VALVE		
L3201TS2-316	1	ANY DIGIT
ITEM NO. 11: BLEED VALVE		
NO BLEED VALVE	1	ANY DIGIT
ITEM NO. 12: FOOT VALVE/STRAINER		
J40095	1	ANY DIGIT
ITEM NO. 13: INJECTION VALVE		
J61025	1	ANY DIGIT
REPLACEMENT FUSES		
L9707300-000	1	E PLUS SERIES, AND E SERIES PUMPS WITH FUSE HOLDER
L9711200-000	1	A PLUS, C, C PLUS, AND E SERIES PUMPS WITH PC BOARD MOUNTED
L9704700-000	1	SERIES E-DC PUMPS
L9700700-250	1	SERIES MP PUMP-CIRCUIT BREAKER

There is a KOPkit (rebuild kit) available for your pump that includes items 1, 2, 5, 7, 8, 9, 10, and a bleed valve o-ring.

The part number for the KOPkit can be found on your pump data label or you can determine the KOPkit part number from your pump model number by using the fourth, seventh, eighth, ninth and tenth positions for the model string

EXAMPLE:

Model	L	B	6	4	S	A	-	A	T	S	2	-	X	X	X
KOPkit Number				4				A	T	S	2				

= K4ATS2

ATS4 WET END PARTS

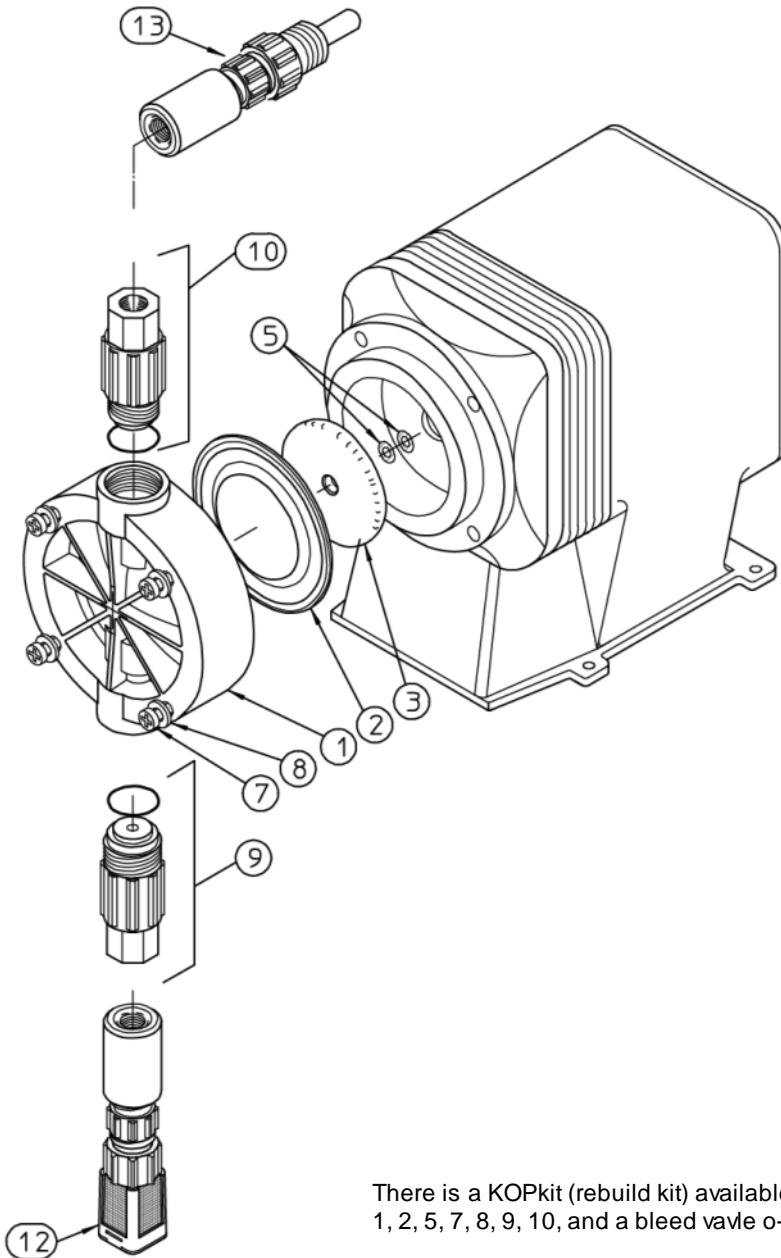
The following part numbers are the pump models with liquid end code ATS4 in the model
EXAMPLE: LPH7SA-ATS4-XXX

Use the fourth digit in the model number from your pump to identify the part numbers below

EXAMPLE MODEL:

Position	1	2	3	4	5	6	-	7	8	9	10	-	11	12	13
Model:	L	P	H	7	S	A	-	A	T	S	4	-	X	X	X

For example the pump head (ITEM #1) for this pump would be:
Part Number: L0200700-316



PART NUMBER	QTY	DIGIT IN POSITION NUMBER FOUR OF THE MODEL NUMBER
ITEM NO. 1: PUMP HEAD (PVD)		
L0200500-316	1	5
L0200600-316	1	6
L0200700-316	1	7
ITEM NO. 2: DIAPHRAGM		
L0301200-THY	1	5
L0301300-THY	1	6
L0301400-THY	1	7
ITEM NO. 3: DEFLECTION PLATE		
L2100500-FPP	1	5
L2100600-FPP	1	6
L2100700-FPP	1	7
ITEM NO. 5: SHIM (0-2 REQUIRED)		
L9901200-BRS	0-2	ANY DIGIT
ITEM NO. 7 & 8: PUMP HEAD SCREWS AND WASHERS KIT (CONTAINS BOLTS AND WASHERS)		
L3900600-000	1	2,3, OR 4
ITEM NO. 9: SUCTION VALVE		
L3101TS4-316	1	ANY DIGIT
ITEM NO. 10: DISCHARGE VALVE		
L3201TS4-316	1	ANY DIGIT
ITEM NO. 11: BLEED VALVE		
NO BLEED VALVE	1	ANY DIGIT
ITEM NO. 12: FOOT VALVE/STRAINER		
J40095	1	ANY DIGIT
ITEM NO. 13: INJECTION VALVE		
J61025	1	ANY DIGIT
REPLACEMENT FUSES		
L9707300-000	1	E PLUS SERIES, AND E SERIES PUMPS WITH FUSE HOLDER
L9711200-000	1	A PLUS, C, C PLUS, AND E SERIES PUMPS WITH PC BOARD MOUNTED
L9704700-000	1	SERIES E-DC PUMPS
L9700700-250	1	SERIES MP PUMP-CIRCUIT BREAKER

There is a KOPkit (rebuild kit) available for your pump that includes items 1, 2, 5, 7, 8, 9, 10, and a bleed valve o-ring.

The part number for the KOPkit can be found on your pump data label or you can determine the KOPkit part number from your pump model number by using the fourth, seventh, eighth, ninth and tenth positions for the model string

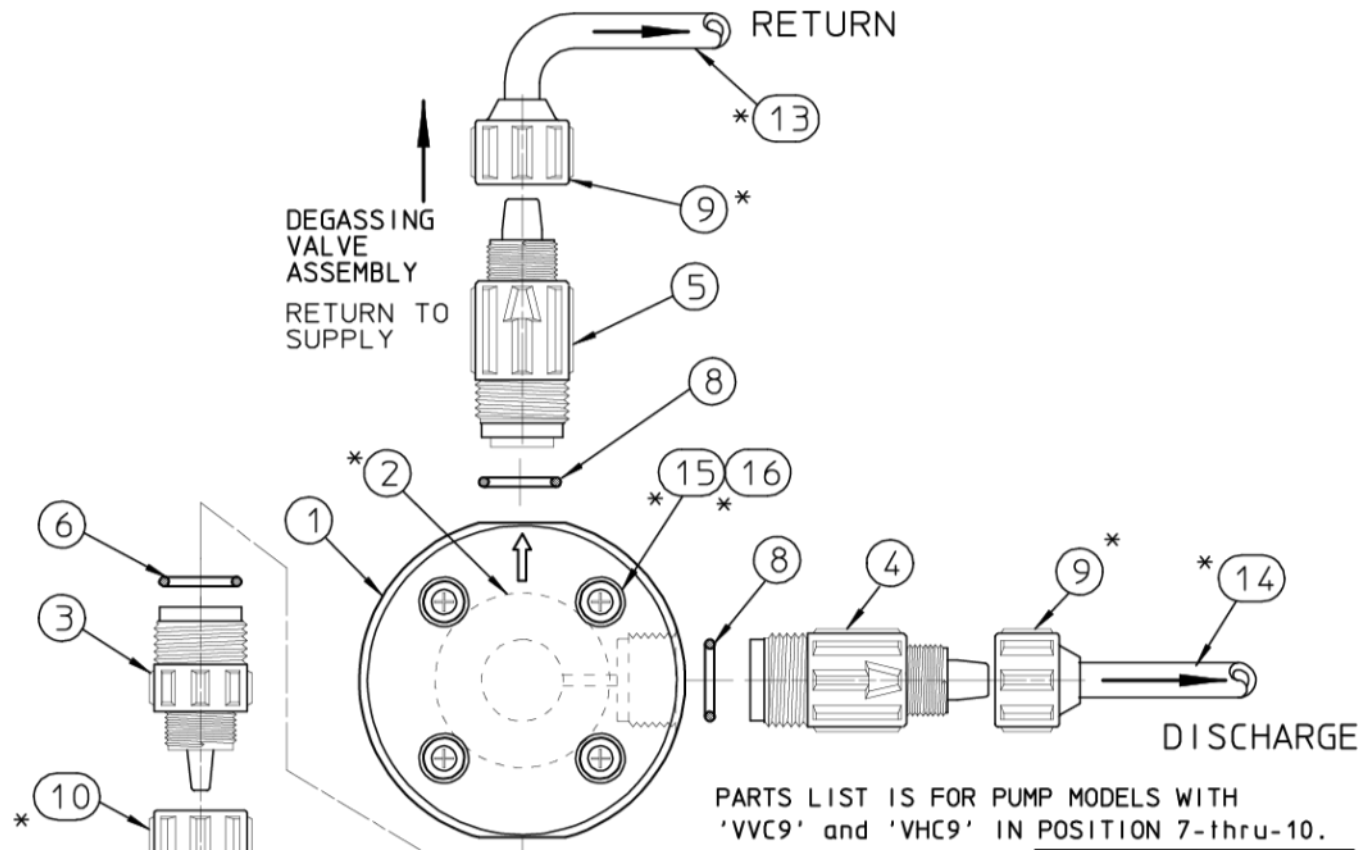
EXAMPLE:

Model	L	P	H	7	S	A	-	A	T	S	4	-	X	X	X
KOPkit Number				7		A	T	S	4						

= K4ATS4

VVC9 & VHC9 WET END PARTS

The following part numbers are the pump models with liquid end code VVC9 & VHC9 in the model
EXAMPLE: LPH7SA-VVC9-XXX OR LPH7SA-VHC9-XXX



PARTS LIST IS FOR PUMP MODELS WITH 'VVC9' and 'VHC9' IN POSITION 7-thru-10.

ITEM	PART #	DESCRIPTION	('VVC9')			('VHC9')		
			VITON			HYPALON		
			.75	1.0	1.25	.75	1.0	1.25
			QTY	QTY	QTY	QTY	QTY	QTY
ASSY	L0203102-PVC	HEAD AS'Y, Ø.75" DEGASS(PVC/VTN)	REF	-	-			
*	L0203202-PVC	HEAD AS'Y, Ø1.00" (* / *)	-	REF	-			
*	L0203302-PVC	HEAD AS'Y, Ø1.25" (* / *)	-	-	REF			
*	L0203112-PVC	HEAD AS'Y, Ø.75" DEGASS(PVC/HYP)				REF		
*	L0203212-PVC	HEAD AS'Y, Ø1.00" (* / *)					REF	
*	L0203312-PVC	HEAD AS'Y, Ø1.25" (* / *)						REF
1	L0203900-HPV	PUMP HEAD Ø.75" (HPV)	1	-	-	1		
	L0204000-HPV	PUMP HEAD Ø1.00" (HPV)	-	1	-		1	
	L0204100-HPV	PUMP HEAD Ø1.25" (HPV)	-	-	1			1
* 2	L0300900-THY	DIAPHRAGM Ø.75" (NOT SUPPLIED)	REF	-	-	REP		
	L0301000-THY	DIAPHRAGM Ø1.00" (NOT SUPPLIED)	-	REF	-		REP	
	L0301100-THY	DIAPHRAGM Ø1.25" (NOT SUPPLIED)	-	-	REF			REP
3	L3100TCJ-PVC	SUCTION VALVE AS'Y(PVC/FTF/CD)		1			1	
4	L3200VCD-PVC	DISCHARGE VALVE AS'Y(PVC/VTN)		1			-	
	L3200HCD-PVC	" " " (PVC/HYP)		-			1	
5	L3200DV1-PVC	DEGASS VALVE AS'Y(PVC/VTN)		1			-	
	L3200HV1-PVC	" " " (* / HYP)		-			1	
6	L1501300-TFE	O-RING, VALVE(TFE)		1			1	
8	L1501300-VTN	O-RING, VALVE(VTN)		2			-	
	L1501300-HYP	" " " (HYP)		-			2	
* 9	L1100300-PVC	COUPLING NUT, .38"-TUBE(PVC)		2			2	
* 10	L1103400-PVC	COUPLING NUT, .31"-TUBE(PVC)		1			1	
* 11	L1103400-FPP	COUPLING NUT, .31"-TUBE(FPP)		1			1	
* 12	L9904304-PVC	TUBING, Ø.31"x4' SUCTION(PVC)		1			1	
* 13	J41424	TUBING, Ø.38"x4' DEGASS RETURN(PE)		1			1	
* 14	41403	TUBING, Ø.38"x8' DISC(PE) (NOT SUPPLIED)		1			1	
* 15	L9801700-188	SCREWS, PUMP HEAD(SST)		4			4	
* 16	L9801300-188	WASHERS, PUMP HEAD(SST)		4			4	
* 17	J60564	FOOT VALVE STRAINER(FTF) w/WEIGHT		1			1	
* 18	L9906700-000	WEIGHT, CERAMIC TUBE		REF			REF	

* NOT SUPPLIED WITH DEGASSING HEAD ASY.

AC00298.001
E04

KTC1 WET END PARTS

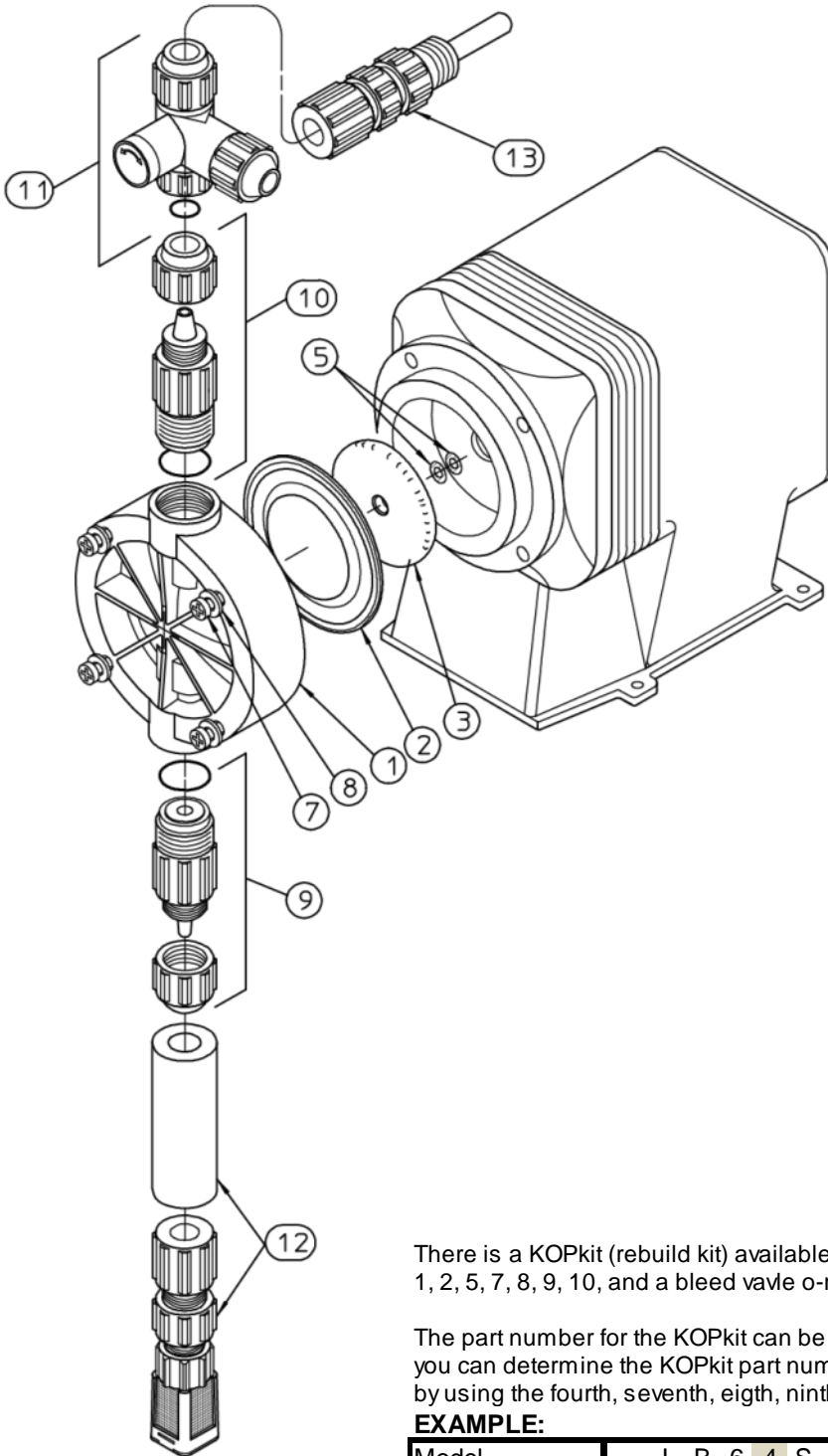
The following part numbers are the pump models with liquid end code KTC1 in the model
EXAMPLE: LB64SA-KTC1-XXX

Use the fourth digit in the model number from your pump to identify the part numbers below

EXAMPLE MODEL:

Position	1	2	3	4	5	6	-	7	8	9	10	-	11	12	13
Model:	L	B	6	4	S	A	-	K	T	C	1	-	X	X	X

For example the pump head (ITEM #1) for this pump would be:
Part Number: L0200400-PVD



PART NUMBER	QTY	DIGIT IN POSITION NUMBER FOUR OF THE MODEL NUMBER
ITEM NO. 1: PUMP HEAD (PVD)		
L0200900-PVD	1	2
L0200300-PVD	1	3
L0200400-PVD	1	4
ITEM NO. 2: DIAPHRAGM		
L0300900-THY	1	2
L0301000-THY	1	3
L0301100-THY	1	4
ITEM NO. 3: DEFLECTION PLATE		
L2100200-FPP	1	2
L2100300-FPP	1	3
L2100400-FPP	1	4
ITEM NO. 5: SHIM (0-2 REQUIRED)		
L9901200-BRS	0-2	ANY DIGIT
ITEM NO. 7 & 8: PUMP HEAD SCREWS AND WASHERS KIT (CONTAINS BOLTS AND WASHERS)		
L3900200-000	1	2,3, OR 4
ITEM NO. 9: SUCTION VALVE		
L3101TC1-PVD	1	ANY DIGIT
ITEM NO. 10: DISCHARGE VALVE		
L3201TC1-PVD	1	ANY DIGIT
ITEM NO. 11: BLEED VALVE		
L3300T01-PVD	1	ANY DIGIT
ITEM NO. 12: FOOT VALVE/STRAINER		
J60716	1	ANY DIGIT
ITEM NO. 13: INJECTION VALVE		
J61020	1	ANY DIGIT
REPLACEMENT FUSES		
L9707300-000	1	E PLUS SERIES, AND E SERIES PUMPS WITH FUSE HOLDER
L9711200-000	1	A PLUS, C, C PLUS, AND E SERIES PUMPS WITH PC BOARD MOUNTED
L9704700-000	1	SERIES E-DC PUMPS
L9700700-250	1	SERIES MP PUMP-CIRCUIT BREAKER

There is a KOPkit (rebuild kit) available for your pump that includes items 1, 2, 5, 7, 8, 9, 10, and a bleed valve o-ring.

The part number for the KOPkit can be found on your pump data label or you can determine the KOPkit part number from your pump model number by using the fourth, seventh, eighth, ninth and tenth positions for the model string

EXAMPLE:

Model	L	B	6	4	S	A	-	K	T	C	1	-	X	X	X
KOPkit Number				4				K	T	C	1				

= K4KTC1

KTC2 WET END PARTS

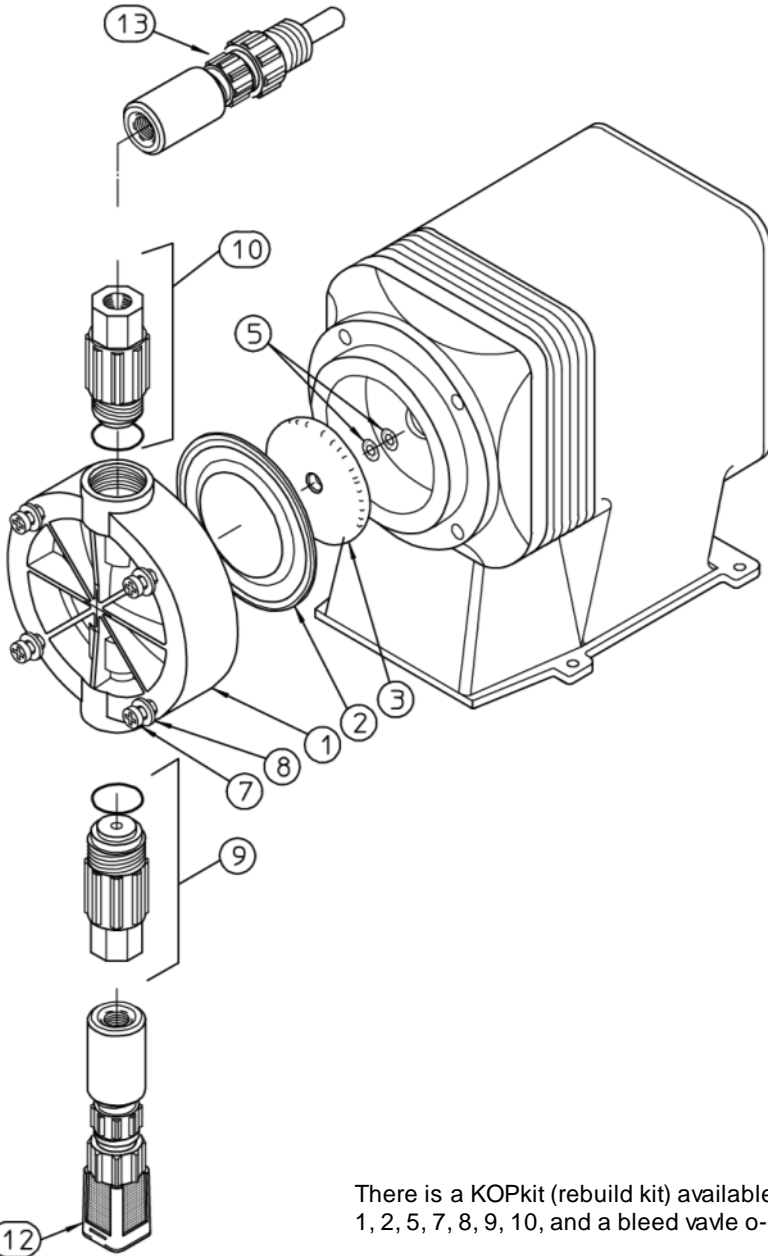
The following part numbers are the pump models with liquid end code KTC2 in the model
EXAMPLE: LB64SA-KTC2-XXX

Use the fourth digit in the model number from your pump to identify the part numbers below

EXAMPLE MODEL:

Position	1	2	3	4	5	6	-	7	8	9	10	-	11	12	13
Model:	L	B	6	4	S	A	-	K	T	C	2	-	X	X	X

For example the pump head (ITEM #1) for this pump would be:
Part Number: L0200400-PVD



PART NUMBER	QTY	DIGIT IN POSITION NUMBER FOUR OF THE MODEL NUMBER
ITEM NO. 1: PUMP HEAD (PVD)		
L0200900-PVD	1	2
L0200300-PVD	1	3
L0200400-PVD	1	4
ITEM NO. 2: DIAPHRAGM		
L0300900-THY	1	2
L0301000-THY	1	3
L0301100-THY	1	4
ITEM NO. 3: DEFLECTION PLATE		
L2100200-FPP	1	2
L2100300-FPP	1	3
L2100400-FPP	1	4
ITEM NO. 5: SHIM (0-2 REQUIRED)		
L9901200-BRS	0-2	ANY DIGIT
ITEM NO. 7 & 8: PUMP HEAD SCREWS AND WASHERS KIT (CONTAINS BOLTS AND WASHERS)		
L3900200-000	1	2,3, OR 4
ITEM NO. 9: SUCTION VALVE		
L3101TC2-PVD	1	ANY DIGIT
ITEM NO. 10: DISCHARGE VALVE		
L3201TC2-PVD	1	ANY DIGIT
ITEM NO. 11: BLEED VALVE		
NO BLEED VALVE	1	ANY DIGIT
ITEM NO. 12: FOOT VALVE/STRAINER		
J60700	1	ANY DIGIT
ITEM NO. 13: INJECTION VALVE		
J61015	1	ANY DIGIT
REPLACEMENT FUSES		
L9707300-000	1	E PLUS SERIES, AND E SERIES PUMPS WITH FUSE HOLDER
L9711200-000	1	A PLUS, C, C PLUS, AND E SERIES PUMPS WITH PC BOARD MOUNTED
L9704700-000	1	SERIES E-DC PUMPS
L9700700-250	1	SERIES MP PUMP-CIRCUIT BREAKER

There is a KOPkit (rebuild kit) available for your pump that includes items 1, 2, 5, 7, 8, 9, 10, and a bleed valve o-ring.

The part number for the KOPkit can be found on your pump data label or you can determine the KOPkit part number from your pump model number by using the fourth, seventh, eighth, ninth and tenth positions for the model string

EXAMPLE:

Model	L	B	6	4	S	A	-	K	T	C	2	-	X	X	X
KOPkit Number				4				K	T	C	2				

= K4KTC2

KTC3 WET END PARTS

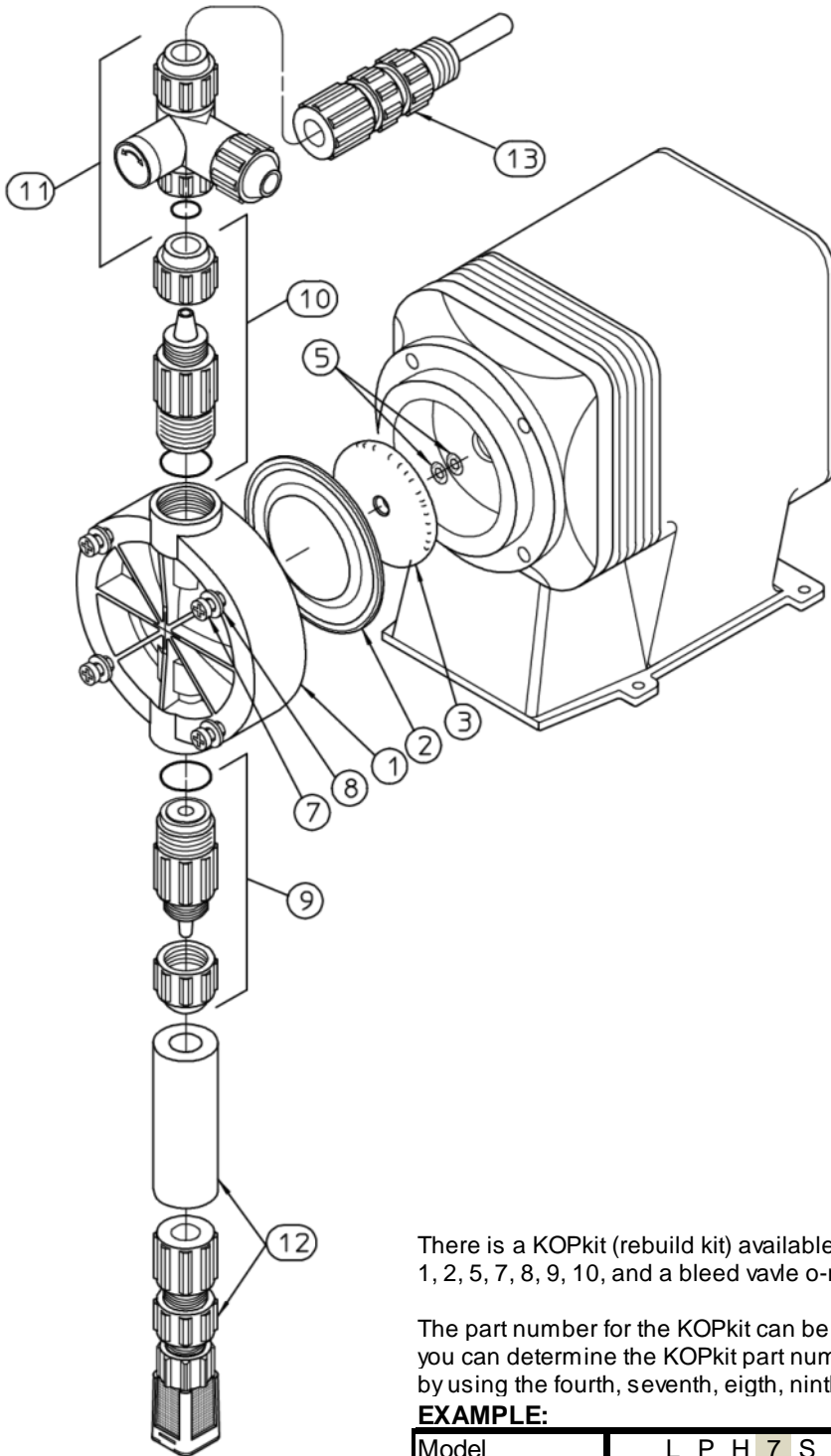
The following part numbers are the pump models with liquid end code KTC3 in the model
EXAMPLE: LPH7SA-KTC3-XXX

Use the fourth digit in the model number from your pump to identify the part numbers below

EXAMPLE MODEL:

Position	1	2	3	4	5	6	-	7	8	9	10	-	11	12	13
Model:	L	P	H	7	S	A	-	K	T	C	3	-	X	X	X

For example the pump head (ITEM #1) for this pump would be:
Part Number: L0200700-PVD



PART NUMBER	QTY	DIGIT IN POSITION NUMBER FOUR OF THE MODEL NUMBER
ITEM NO. 1: PUMP HEAD (PVD)		
L0200400-PVD	1	4
L0200500-PVD	1	5
L0200600-PVD	1	6
L0200700-PVD	1	7
ITEM NO. 2: DIAPHRAGM		
L0301100-THY	1	4
L0301200-THY	1	5
L0301300-THY	1	6
L0301400-THY	1	7
ITEM NO. 3: DEFLECTION PLATE		
L2100400-FPP	1	4
L2100500-FPP	1	5
L2100600-FPP	1	6
L2100700-FPP	1	7
ITEM NO. 5: SHIM (0-2 REQUIRED)		
L9901200-BRS	0-2	ANY DIGIT
ITEM NO. 7 & 8: PUMP HEAD SCREWS AND WASHERS KIT (CONTAINS BOLTS AND WASHERS)		
L3900200-000	1	2,3, OR 4
L3900300-000	1	5, 6 OR 7
ITEM NO. 9: SUCTION VALVE		
L3101TC3-PVD	1	ANY DIGIT
ITEM NO. 10: DISCHARGE VALVE		
L3201TC3-PVD	1	ANY DIGIT
ITEM NO. 11: BLEED VALVE		
L3300T03-PVD	1	ANY DIGIT
ITEM NO. 12: FOOT VALVE/STRAINER		
J60728	1	ANY DIGIT
ITEM NO. 13: INJECTION VALVE		
J61021	1	ANY DIGIT
REPLACEMENT FUSES		
L9707300-000	1	E PLUS SERIES, AND E SERIES PUMPS WITH FUSE HOLDER
L9711200-000	1	A PLUS, C, C PLUS, AND E SERIES PUMPS WITH PC BOARD MOUNTED
L9704700-000	1	SERIES E-DC PUMPS
L9700700-250	1	SERIES MP PUMP-CIRCUIT BREAKER

There is a KOPkit (rebuild kit) available for your pump that includes items 1, 2, 5, 7, 8, 9, 10, and a bleed valve o-ring.

The part number for the KOPkit can be found on your pump data label or you can determine the KOPkit part number from your pump model number by using the fourth, seventh, eighth, ninth and tenth positions for the model string

EXAMPLE:

Model	L	P	H	7	S	A	-	K	T	C	3	-	X	X	X
KOPkit Number				7				K	T	C	3				

= K7KTC3

KTC4 WET END PARTS

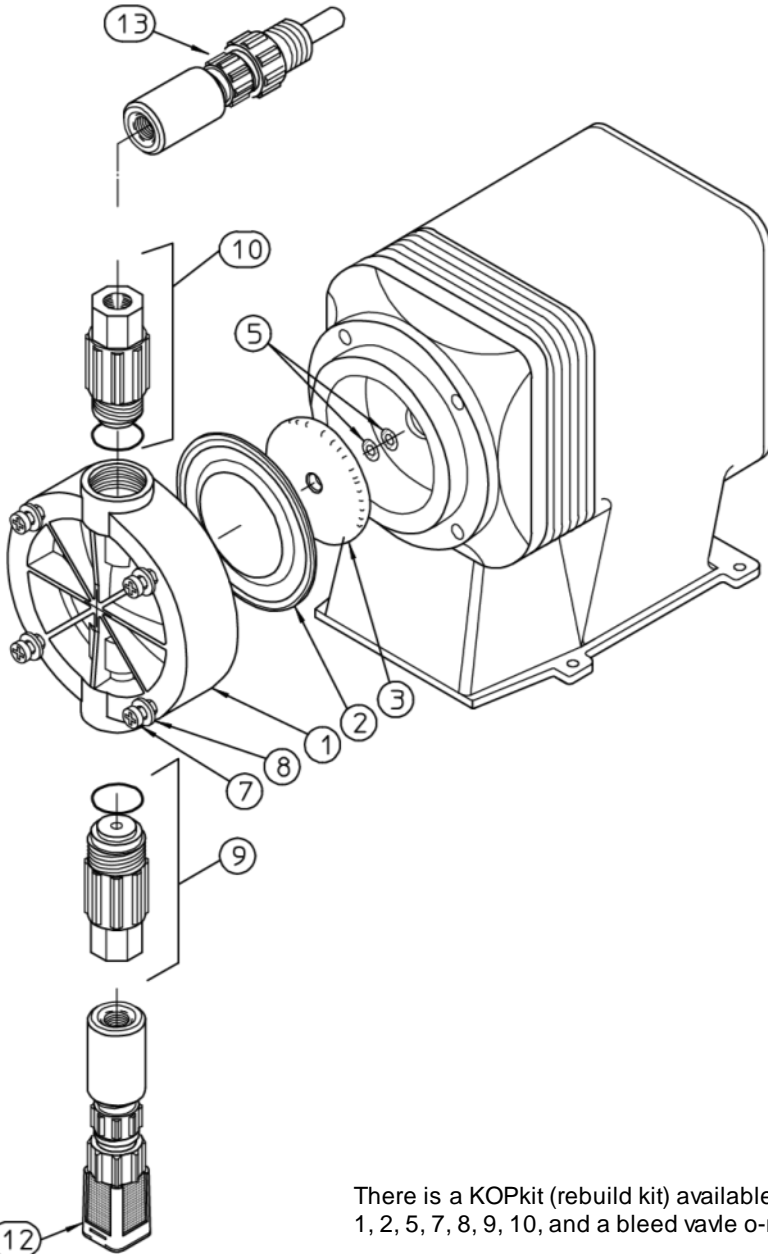
The following part numbers are the pump models with liquid end code KTC4 in the model
EXAMPLE: LPH7SA-KTC4-XXX

Use the fourth digit in the model number from your pump to identify the part numbers below

EXAMPLE MODEL:

Position	1	2	3	4	5	6	-	7	8	9	10	-	11	12	13
Model:	L	P	H	7	S	A	-	K	T	C	4	-	X	X	X

For example the pump head (ITEM #1) for this pump would be:
Part Number: L0200700-PVD



PART NUMBER	QTY	DIGIT IN POSITION NUMBER FOUR OF THE MODEL NUMBER
ITEM NO. 1: PUMP HEAD (PVD)		
L0200400-PVD	1	4
L0200500-PVD	1	5
L0200600-PVD	1	6
L0200700-PVD	1	7
ITEM NO. 2: DIAPHRAGM		
L0301100-THY	1	4
L0301200-THY	1	5
L0301300-THY	1	6
L0301400-THY	1	7
ITEM NO. 3: DEFLECTION PLATE		
L2100400-FPP	1	4
L2100500-FPP	1	5
L2100600-FPP	1	6
L2100700-FPP	1	7
ITEM NO. 5: SHIM (0-2 REQUIRED)		
L9901200-BRS	0-2	ANY DIGIT
ITEM NO. 7 & 8: PUMP HEAD SCREWS AND WASHERS KIT (CONTAINS BOLTS AND WASHERS)		
L3900200-000	1	2,3, OR 4
L3900300-000	1	5, 6 OR 7
ITEM NO. 9: SUCTION VALVE		
L3101TC4-PVD	1	ANY DIGIT
ITEM NO. 10: DISCHARGE VALVE		
L3201TC4-PVD	1	ANY DIGIT
ITEM NO. 11: BLEED VALVE		
NO BLEED VALVE	1	ANY DIGIT
ITEM NO. 12: FOOT VALVE/STRAINER		
J60700	1	ANY DIGIT
ITEM NO. 13: INJECTION VALVE		
J61015	1	ANY DIGIT
REPLACEMENT FUSES		
L9707300-000	1	E PLUS SERIES, AND E SERIES PUMPS WITH FUSE HOLDER
L9711200-000	1	A PLUS, C, C PLUS, AND E SERIES PUMPS WITH PC BOARD MOUNTED
L9704700-000	1	SERIES E-DC PUMPS
L9700700-250	1	SERIES MP PUMP-CIRCUIT BREAKER

There is a KOPkit (rebuild kit) available for your pump that includes items 1, 2, 5, 7, 8, 9, 10, and a bleed valve o-ring.

The part number for the KOPkit can be found on your pump data label or you can determine the KOPkit part number from your pump model number by using the fourth, seventh, eighth, ninth and tenth positions for the model string

EXAMPLE:

Model	L	P	H	7	S	A	-	K	T	C	4	-	X	X	X
KOPkit Number				7				K	T	C	4				

= K7KTC4

KTCJ WET END PARTS

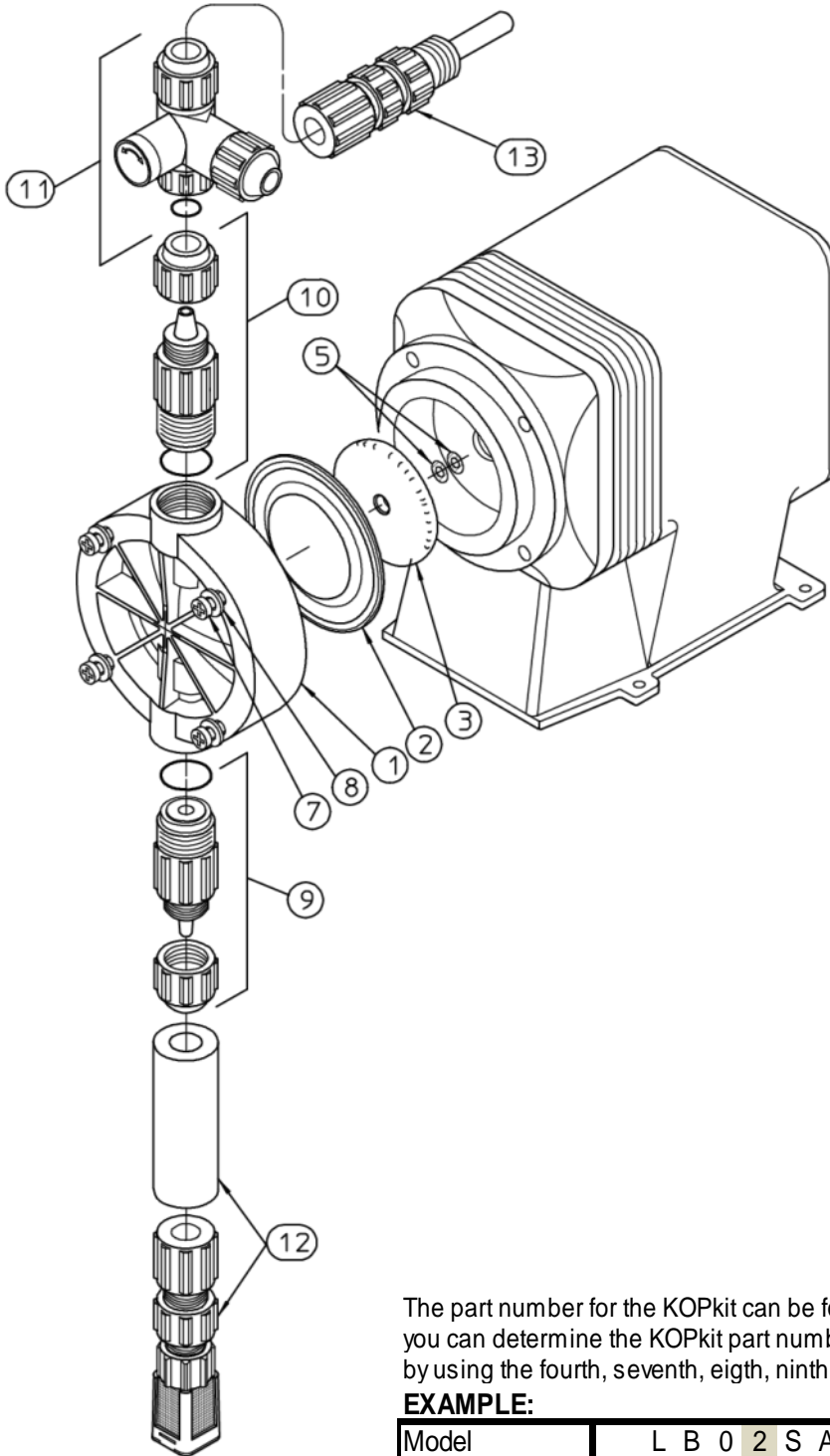
The following part numbers are the pump models with liquid end code KTCJ in the model
EXAMPLE: LB02SA-KTCJ-130

Use the fourth digit in the model number from your pump to identify the part numbers below

EXAMPLE MODEL:

Position	1	2	3	4	5	6	-	7	8	9	10	-	11	12	13
Model:	L	B	0	2	S	A	-	K	T	C	J	-	1	3	0

For example the pump head (ITEM #1) for this pump would be:
Part Number: L0200900-PVD



PART NUMBER	QTY	DIGIT IN POSITION NUMBER FOUR OF THE MODEL NUMBER
ITEM NO. 1: PUMP HEAD (PVD)		
L0200900-PVD	1	2
L0201000-PVD	1	3
ITEM NO. 2: DIAPHRAGM		
L0300900-THY	1	2
L0301000-THY	1	3
ITEM NO. 3: DEFLECTION PLATE		
L2100200-FPP	1	2
L2100300-FPP	1	3
ITEM NO. 5: SHIM (0-2 REQUIRED)		
L9901200-BRS	0-2	ANY DIGIT
ITEM NO. 7 & 8: PUMP HEAD SCREWS AND WASHERS KIT (CONTAINS BOLTS AND WASHERS)		
L3900200-000	1	2,3, OR 4
ITEM NO. 9: SUCTION VALVE		
L3101TCJ-PVD	1	ANY DIGIT
ITEM NO. 10: DISCHARGE VALVE		
L3201TCJ-PVD	1	ANY DIGIT
ITEM NO. 11: BLEED VALVE		
L3300T0J-PVD	1	ANY DIGIT
ITEM NO. 12: FOOT VALVE/STRAINER		
J60716	1	ANY DIGIT
ITEM NO. 13: INJECTION VALVE		
J61020	1	ANY DIGIT
REPLACEMENT FUSES		
L9707300-000	1	E PLUS SERIES, AND E SERIES PUMPS WITH FUSE HOLDER
L9711200-000	1	A PLUS, C, C PLUS, AND E SERIES PUMPS WITH PC BOARD MOUNTED
L9704700-000	1	SERIES E-DC PUMPS
L9700700-250	1	SERIES MP PUMP-CIRCUIT BREAKER

The part number for the KOPkit can be found on your pump data label or you can determine the KOPkit part number from your pump model number by using the fourth, seventh, eighth, ninth and tenth positions for the model string

EXAMPLE:

Model	L	B	0	2	S	A	-	K	T	C	J	-	1	3	0
KOPkit Number				2				K	T	C	1				

= K2KTCJ

KTT3 WET END PARTS

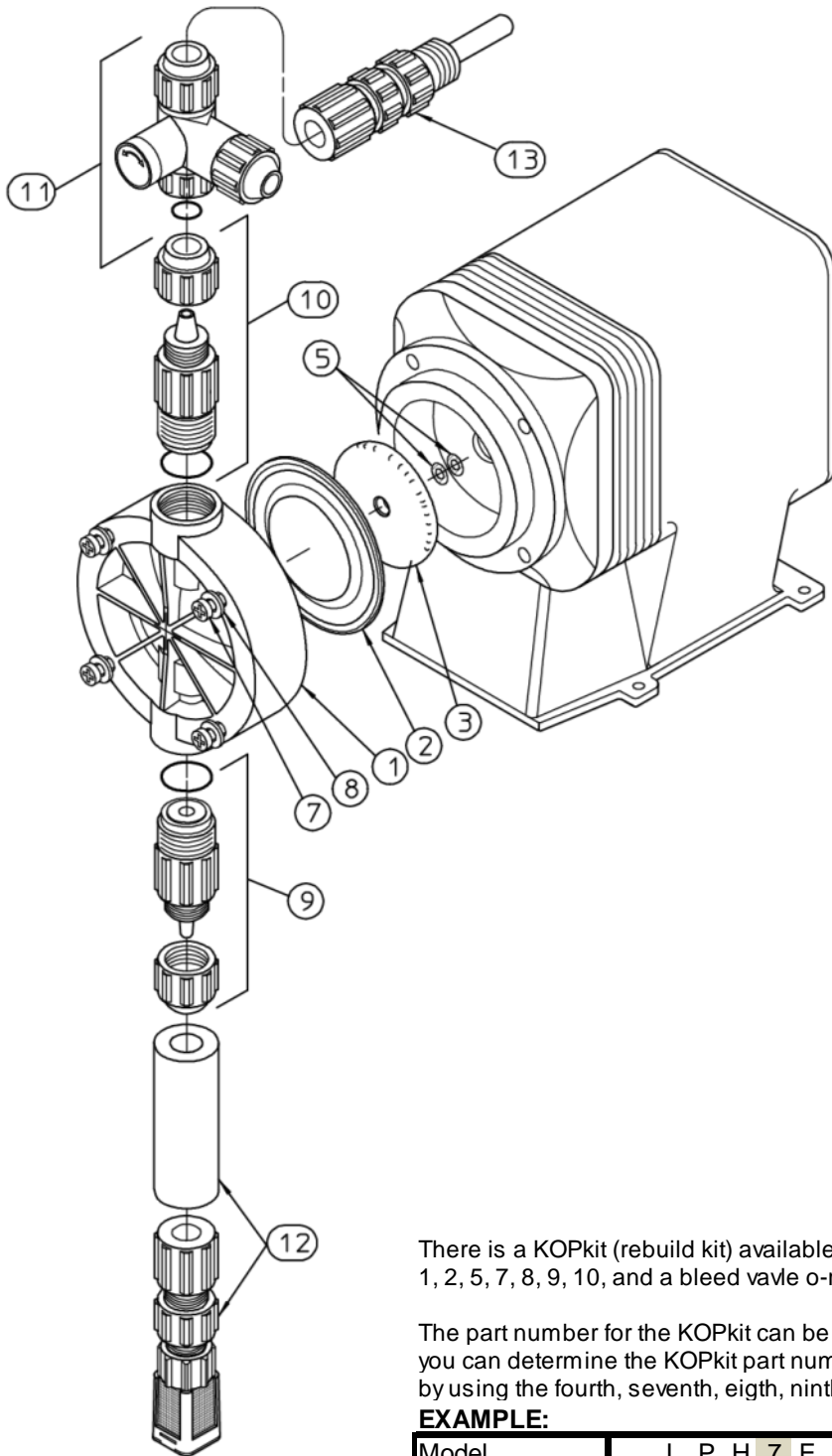
The following part numbers are the pump models with liquid end code KTT3 in the model
EXAMPLE: LPH7EA-KTT3-XXX

Use the fourth digit in the model number from your pump to identify the part numbers below

EXAMPLE MODEL:

Position	1	2	3	4	5	6	-	7	8	9	10	-	11	12	13
Model:	L	P	H	7	E	A	-	K	T	T	3	-	X	X	X

For example the pump head (ITEM #1) for this pump would be:
Part Number: L0200700-PVD



PART NUMBER	QTY	DIGIT IN POSITION NUMBER FOUR OF THE MODEL NUMBER
ITEM NO. 1: PUMP HEAD (PVD)		
L0200400-PVD	1	4
L0200500-PVD	1	5
L0200600-PVD	1	6
L0200700-PVD	1	7
ITEM NO. 2: DIAPHRAGM		
L0301100-THY	1	4
L0301200-THY	1	5
L0301300-THY	1	6
L0301400-THY	1	7
ITEM NO. 3: DEFLECTION PLATE		
L2100400-FPP	1	4
L2100500-FPP	1	5
L2100600-FPP	1	6
L2100700-FPP	1	7
ITEM NO. 5: SHIM (0-2 REQUIRED)		
L9901200-BRS	0-2	ANY DIGIT
ITEM NO. 7 & 8: PUMP HEAD SCREWS AND WASHERS KIT (CONTAINS BOLTS AND WASHERS)		
L3900200-000	1	2,3, OR 4
L3900300-000	1	5, 6 OR 7
ITEM NO. 9: SUCTION VALVE		
L3101TT3-PVD	1	ANY DIGIT
ITEM NO. 10: DISCHARGE VALVE		
L3201TT3-PVD	1	ANY DIGIT
ITEM NO. 11: BLEED VALVE		
L3300T03-PVD	1	ANY DIGIT
ITEM NO. 12: FOOT VALVE/STRAINER		
J60731	1	ANY DIGIT
ITEM NO. 13: INJECTION VALVE		
J61073	1	ANY DIGIT
REPLACEMENT FUSES		
L9707300-000	1	E PLUS SERIES, AND E SERIES PUMPS WITH FUSE HOLDER
L9711200-000	1	A PLUS, C, C PLUS, AND E SERIES PUMPS WITH PC BOARD MOUNTED
L9704700-000	1	SERIES E-DC PUMPS
L9700700-250	1	SERIES MP PUMP-CIRCUIT BREAKER

There is a KOPkit (rebuild kit) available for your pump that includes items 1, 2, 5, 7, 8, 9, 10, and a bleed valve o-ring.

The part number for the KOPkit can be found on your pump data label or you can determine the KOPkit part number from your pump model number by using the fourth, seventh, eighth, ninth and tenth positions for the model string

EXAMPLE:

Model	L	P	H	7	E	A	-	K	T	T	3	-	X	X	X
KOPkit Number				7				K	T	T	3				

= K7KTT3

PHC1 WET END PARTS

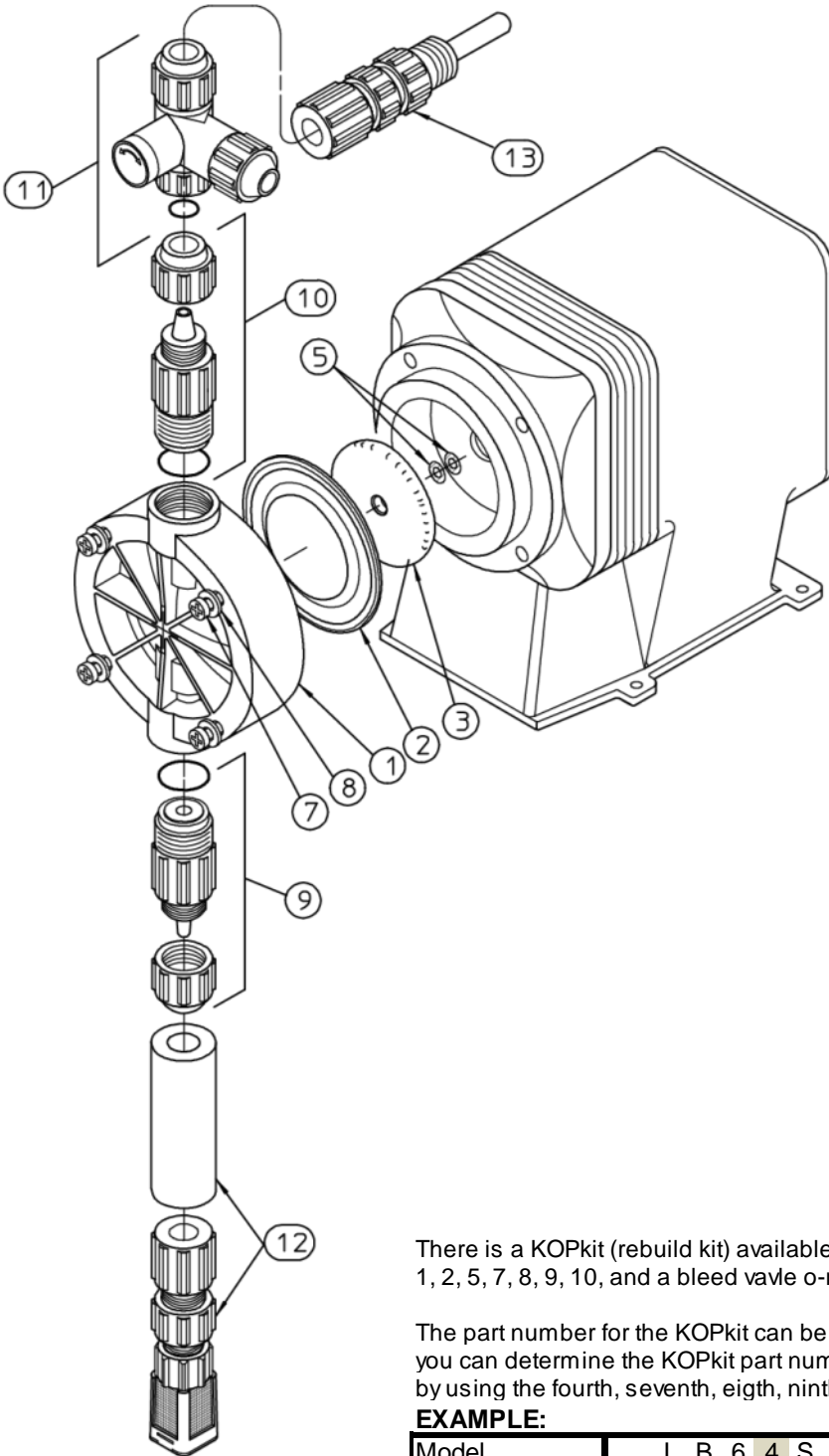
The following part numbers are the pump models with liquid end code PHC1 in the model
EXAMPLE: LB64SA-PHC1-XXX

Use the fourth digit in the model number from your pump to identify the part numbers below

EXAMPLE MODEL:

Position	1	2	3	4	5	6	-	7	8	9	10	-	11	12	13
Model:	L	B	6	4	S	A	-	P	H	C	1	-	X	X	X

For example the pump head (ITEM #1) for this pump would be:
Part Number: L0200400-FPP



PART NUMBER	QTY	DIGIT IN POSITION NUMBER FOUR OF THE MODEL NUMBER
ITEM NO. 1: PUMP HEAD (FPP)		
L0200900-FPP	1	2
L0200300-FPP	1	3
L0200400-FPP	1	4
ITEM NO. 2: DIAPHRAGM		
L0300900-THY	1	2
L0301000-THY	1	3
L0301100-THY	1	4
ITEM NO. 3: DEFLECTION PLATE		
L2100200-FPP	1	2
L2100300-FPP	1	3
L2100400-FPP	1	4
ITEM NO. 5: SHIM (0-2 REQUIRED)		
L9901200-BRS	0-2	ANY DIGIT
ITEM NO. 7 & 8: PUMP HEAD SCREWS AND WASHERS KIT (CONTAINS BOLTS AND WASHERS)		
L3900200-000	1	2,3, OR 4
ITEM NO. 9: SUCTION VALVE		
L3101HC1-FPP	1	ANY DIGIT
ITEM NO. 10: DISCHARGE VALVE		
L3201HC1-FPP	1	ANY DIGIT
ITEM NO. 11: BLEED VALVE		
L3300H01-FPP	1	ANY DIGIT
ITEM NO. 12: FOOT VALVE/STRAINER		
J40116	1	ANY DIGIT
ITEM NO. 13: INJECTION VALVE		
J41766	1	ANY DIGIT
REPLACEMENT FUSES		
L9707300-000	1	E PLUS SERIES, AND E SERIES PUMPS WITH FUSE HOLDER
L9711200-000	1	A PLUS, C, C PLUS, AND E SERIES PUMPS WITH PC BOARD MOUNTED
L9704700-000	1	SERIES E-DC PUMPS
L9700700-250	1	SERIES MP PUMP-CIRCUIT BREAKER

There is a KOPkit (rebuild kit) available for your pump that includes items 1, 2, 5, 7, 8, 9, 10, and a bleed valve o-ring.

The part number for the KOPkit can be found on your pump data label or you can determine the KOPkit part number from your pump model number by using the fourth, seventh, eighth, ninth and tenth positions for the model string

EXAMPLE:

Model	L	B	6	4	S	A	-	P	H	C	1	-	X	X	X
KOPkit Number				4				P	H	C	1				

= K4PHC1

PHC2 WET END PARTS

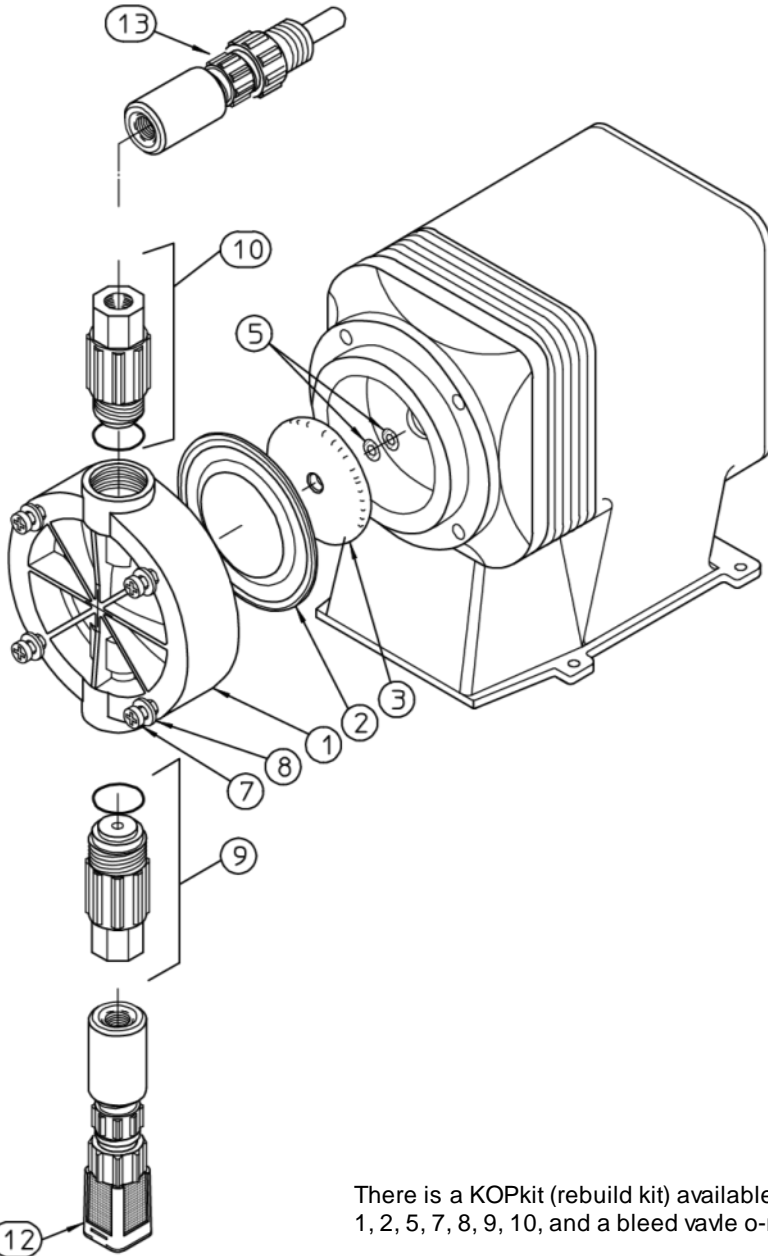
The following part numbers are the pump models with liquid end code PHC2 in the model
EXAMPLE: LB64SA-PHC2-XXX

Use the fourth digit in the model number from your pump to identify the part numbers below

EXAMPLE MODEL:

Position	1	2	3	4	5	6	-	7	8	9	10	-	11	12	13
Model:	L	B	6	4	S	A	-	P	H	C	2	-	X	X	X

For example the pump head (ITEM #1) for this pump would be:
Part Number: L0200400-FPP



PART NUMBER	QTY	DIGIT IN POSITION NUMBER FOUR OF THE MODEL NUMBER
ITEM NO. 1: PUMP HEAD (FPP)		
L0200900-FPP	1	2
L0200300-FPP	1	3
L0200400-FPP	1	4
ITEM NO. 2: DIAPHRAGM		
L0300900-THY	1	2
L0301000-THY	1	3
L0301100-THY	1	4
ITEM NO. 3: DEFLECTION PLATE		
L2100200-FPP	1	2
L2100300-FPP	1	3
L2100400-FPP	1	4
ITEM NO. 5: SHIM (0-2 REQUIRED)		
L9901200-BRS	0-2	ANY DIGIT
ITEM NO. 7 & 8: PUMP HEAD SCREWS AND WASHERS KIT (CONTAINS BOLTS AND WASHERS)		
L3900200-000	1	2,3, OR 4
ITEM NO. 9: SUCTION VALVE		
L3101HC2-FPP	1	ANY DIGIT
ITEM NO. 10: DISCHARGE VALVE		
L3201HC2-FPP	1	ANY DIGIT
ITEM NO. 11: BLEED VALVE		
NO BLEED VALVE	1	ANY DIGIT
ITEM NO. 12: FOOT VALVE/STRAINER		
J40195	1	ANY DIGIT
ITEM NO. 13: INJECTION VALVE		
J41911	1	ANY DIGIT
REPLACEMENT FUSES		
L9707300-000	1	E PLUS SERIES, AND E SERIES PUMPS WITH FUSE HOLDER
L9711200-000	1	A PLUS, C, C PLUS, AND E SERIES PUMPS WITH PC BOARD MOUNTED
L9704700-000	1	SERIES E-DC PUMPS
L9700700-250	1	SERIES MP PUMP-CIRCUIT BREAKER

There is a KOPkit (rebuild kit) available for your pump that includes items 1, 2, 5, 7, 8, 9, 10, and a bleed valve o-ring.

The part number for the KOPkit can be found on your pump data label or you can determine the KOPkit part number from your pump model number by using the fourth, seventh, eighth, ninth and tenth positions for the model string

EXAMPLE:

Model	L	B	6	4	S	A	-	P	H	C	2	-	X	X	X
KOPkit Number				4				P	H	C	2				

= **K4PHC2**

PHC3 WET END PARTS

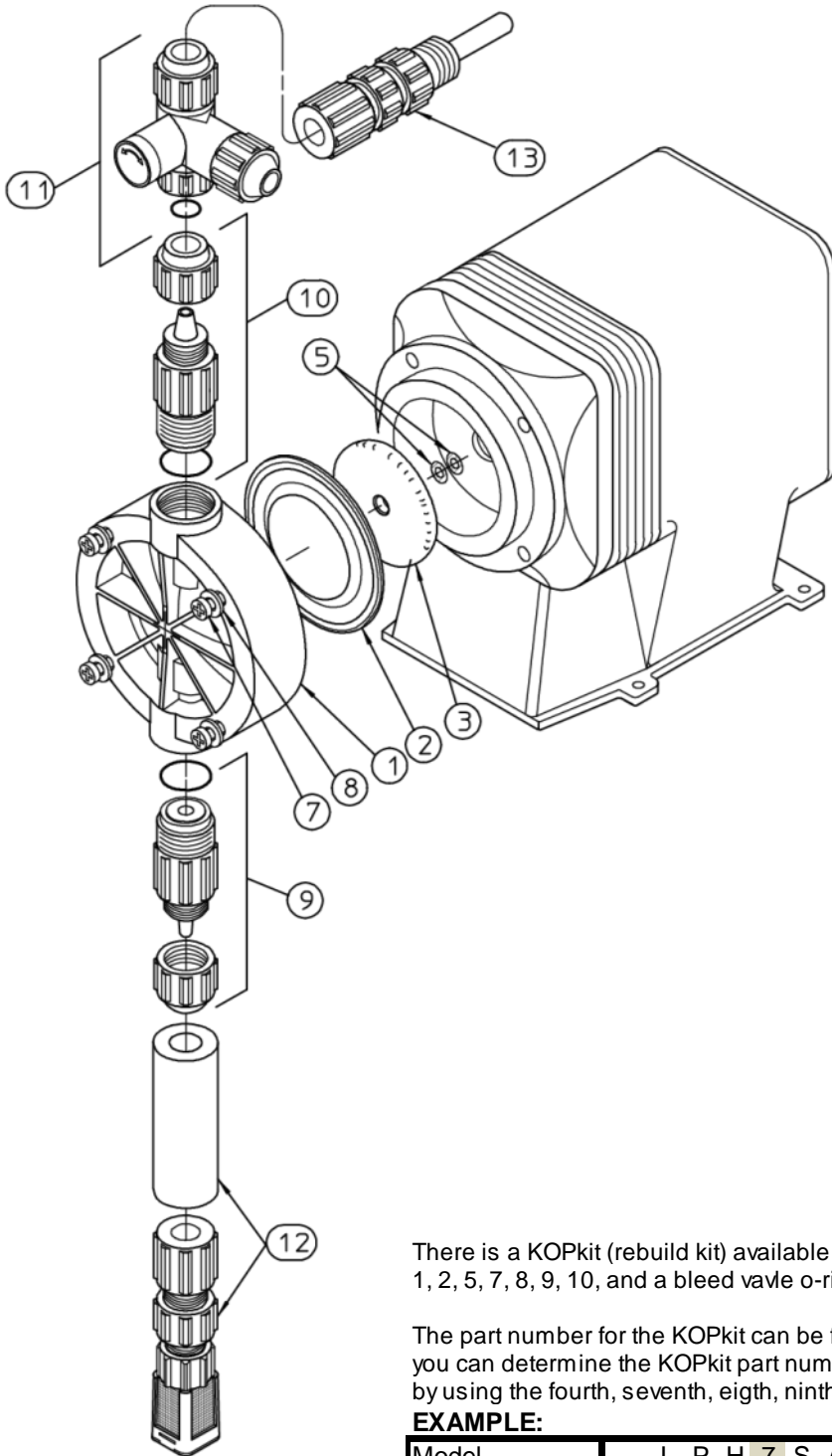
The following part numbers are the pump models with liquid end code PHC3 in the model
EXAMPLE: LPH7SA-PHC3-XXX

Use the fourth digit in the model number from your pump to identify the part numbers below

EXAMPLE MODEL:

Position	1	2	3	4	5	6	-	7	8	9	10	-	11	12	13
Model:	L	P	H	7	S	A	-	P	H	C	3	-	X	X	X

For example the pump head (ITEM #1) for this pump would be:
Part Number: L0200700-FFP



PART NUMBER	QTY	DIGIT IN POSITION NUMBER FOUR OF THE MODEL NUMBER
ITEM NO. 1: PUMP HEAD (FFP)		
L0200400-FFP	1	4
L0200500-FFP	1	5
L0200600-FFP	1	6
L0200700-FFP	1	7
ITEM NO. 2: DIAPHRAGM		
L0301100-THY	1	4
L0301200-THY	1	5
L0301300-THY	1	6
L0301400-THY	1	7
ITEM NO. 3: DEFLECTION PLATE		
L2100400-FFP	1	4
L2100500-FFP	1	5
L2100600-FFP	1	6
L2100700-FFP	1	7
ITEM NO. 5: SHIM (0-2 REQUIRED)		
L9901200-BRS	0-2	ANY DIGIT
ITEM NO. 7 & 8: PUMP HEAD SCREWS AND WASHERS KIT (CONTAINS BOLTS AND WASHERS)		
L3900200-000	1	2,3, OR 4
L3900300-000	1	5, 6 OR 7
ITEM NO. 9: SUCTION VALVE		
L3101HC3-FFP	1	ANY DIGIT
ITEM NO. 10: DISCHARGE VALVE		
L3201HC3-FFP	1	ANY DIGIT
ITEM NO. 11: BLEED VALVE		
L3300H03-FFP	1	ANY DIGIT
ITEM NO. 12: FOOT VALVE/STRAINER		
J40117	1	ANY DIGIT
ITEM NO. 13: INJECTION VALVE		
J41767	1	ANY DIGIT
REPLACEMENT FUSES		
L9707300-000	1	E PLUS SERIES, AND E SERIES PUMPS WITH FUSE HOLDER
L9711200-000	1	A PLUS, C, C PLUS, AND E SERIES PUMPS WITH PC BOARD MOUNTED
L9704700-000	1	SERIES E-DC PUMPS
L9700700-250	1	SERIES MP PUMP-CIRCUIT BREAKER

There is a KOPkit (rebuild kit) available for your pump that includes items 1, 2, 5, 7, 8, 9, 10, and a bleed valve o-ring.

The part number for the KOPkit can be found on your pump data label or you can determine the KOPkit part number from your pump model number by using the fourth, seventh, eighth, ninth and tenth positions for the model string

EXAMPLE:

Model	L	P	H	7	S	A	-	P	H	C	3	-	X	X	X
KOPkit Number				7				P	H	C	3				

= K7PHC3

PHC4 WET END PARTS

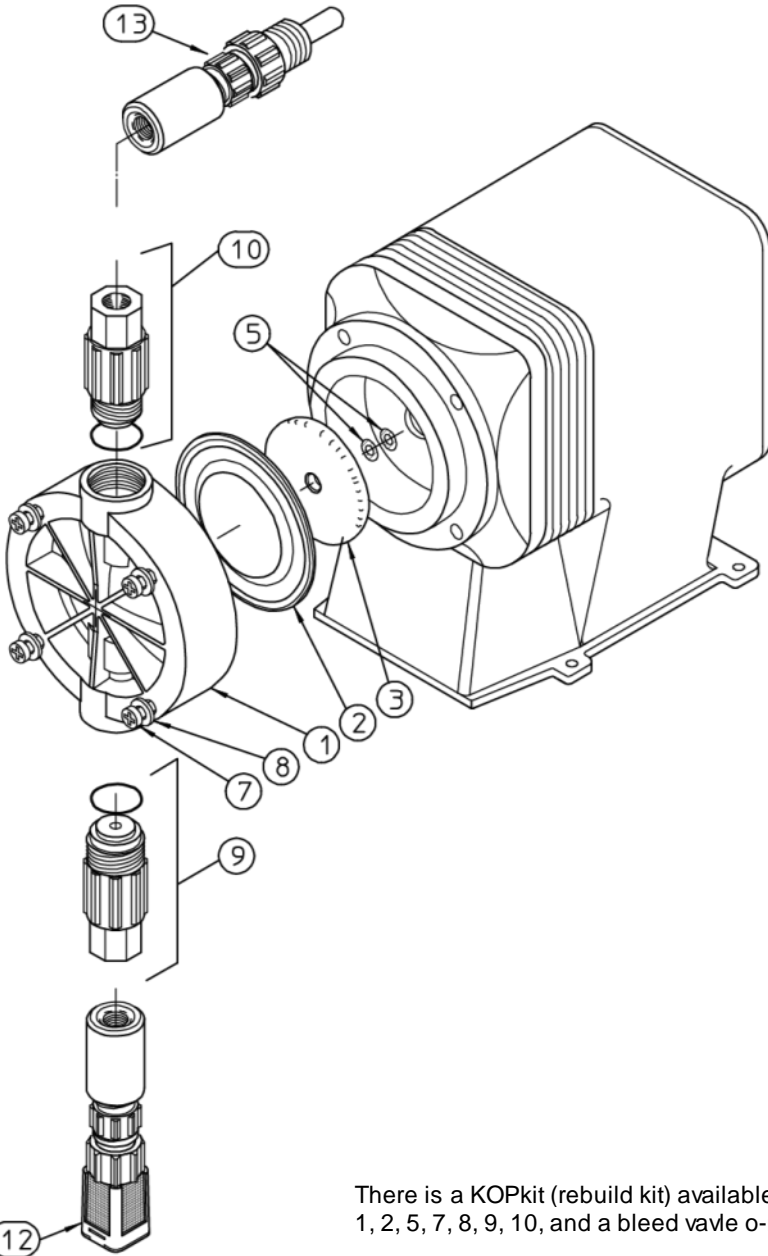
The following part numbers are the pump models with liquid end code PHC4 in the model
EXAMPLE: LPH7SA-PHC4-XXX

Use the fourth digit in the model number from your pump to identify the part numbers below

EXAMPLE MODEL:

Position	1	2	3	4	5	6	-	7	8	9	10	-	11	12	13
Model:	L	P	H	7	S	A	-	P	H	C	4	-	X	X	X

For example the pump head (ITEM #1) for this pump would be:
Part Number: L0200700-FPP



PART NUMBER	QTY	DIGIT IN POSITION NUMBER FOUR OF THE MODEL NUMBER
ITEM NO. 1: PUMP HEAD (FPP)		
L0200400-FPP	1	4
L0200500-FPP	1	5
L0200600-FPP	1	6
L0200700-FPP	1	7
ITEM NO. 2: DIAPHRAGM		
L0301100-THY	1	4
L0301200-THY	1	5
L0301300-THY	1	6
L0301400-THY	1	7
ITEM NO. 3: DEFLECTION PLATE		
L2100400-FPP	1	4
L2100500-FPP	1	5
L2100600-FPP	1	6
L2100700-FPP	1	7
ITEM NO. 5: SHIM (0-2 REQUIRED)		
L9901200-BRS	0-2	ANY DIGIT
ITEM NO. 7 & 8: PUMP HEAD SCREWS AND WASHERS KIT (CONTAINS BOLTS AND WASHERS)		
L3900200-000	1	2,3, OR 4
L3900300-000	1	5, 6 OR 7
ITEM NO. 9: SUCTION VALVE		
L3101HC4-FPP	1	ANY DIGIT
ITEM NO. 10: DISCHARGE VALVE		
L3201HC4-FPP	1	ANY DIGIT
ITEM NO. 11: BLEED VALVE		
NO BLEED VLAVE	1	ANY DIGIT
ITEM NO. 12: FOOT VALVE/STRAINER		
J40195	1	ANY DIGIT
ITEM NO. 13: INJECTION VALVE		
J41911	1	ANY DIGIT
REPLACEMENT FUSES		
L9707300-000	1	E PLUS SERIES, AND E SERIES PUMPS WITH FUSE HOLDER
L9711200-000	1	A PLUS, C, C PLUS, AND E SERIES PUMPS WITH PC BOARD MOUNTED
L9704700-000	1	SERIES E-DC PUMPS
L9700700-250	1	SERIES MP PUMP-CIRCUIT BREAKER

There is a KOPkit (rebuild kit) available for your pump that includes items 1, 2, 5, 7, 8, 9, 10, and a bleed valve o-ring.

The part number for the KOPkit can be found on your pump data label or you can determine the KOPkit part number from your pump model number by using the fourth, seventh, eighth, ninth and tenth positions for the model string

EXAMPLE:

Model	L	P	H	7	S	A	-	P	H	C	4	-	X	X	X
KOPkit Number				7				P	H	C	4				

= K7PHC4

PHCB WET END PARTS

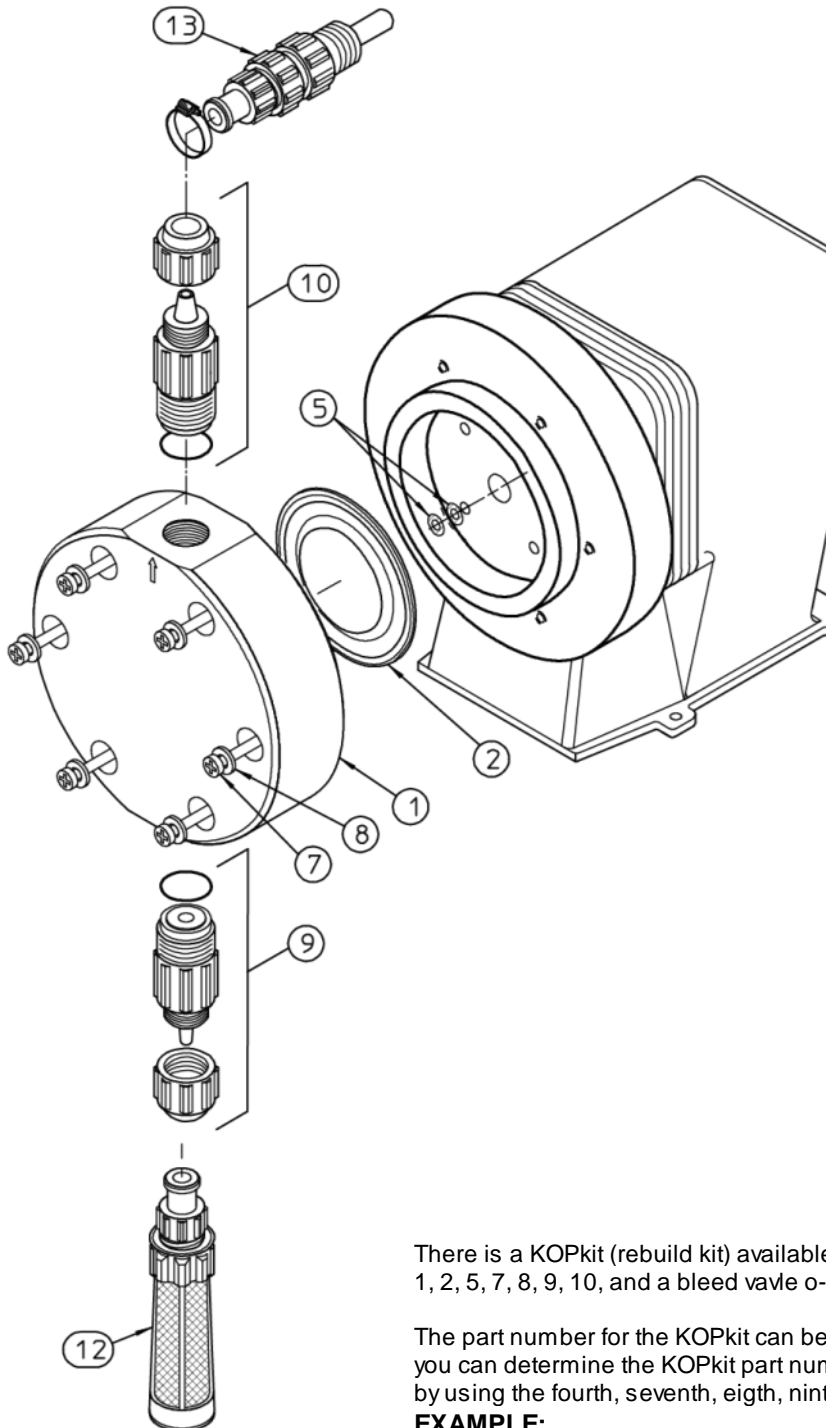
The following part numbers are the pump models with liquid end code PHCB in the model
EXAMPLE: LPH8SA-PHCB-XXX

Use the fourth digit in the model number from your pump to identify the part numbers below

EXAMPLE MODEL:

Position	1	2	3	4	5	6	-	7	8	9	10	-	11	12	13
Model:	L	P	H	8	S	A	-	P	H	C	B	-	X	X	X

For example the pump head (ITEM #1) for this pump would be:
Part Number: L0200800-PPL



PART NUMBER	QTY	DIGIT IN POSITION NUMBER FOUR OF THE MODEL NUMBER
ITEM NO. 1: PUMP HEAD (PPL)		
L0200800-PPL	1	8
ITEM NO. 2: DIAPHRAGM		
L0301600-THY	1	8
ITEM NO. 3: DEFLECTION PLATE		
NOT USED ON THESE MODELS		
ITEM NO. 5: SHIM (0-2 REQUIRED)		
L9901200-BRS	0-2	8
ITEM NO. 7 & 8: PUMP HEAD SCREWS AND WASHERS KIT (CONTAINS BOLTS AND WASHERS)		
L3900400-000	1	8
ITEM NO. 9: SUCTION VALVE		
L3101HCB-FPP	1	8
ITEM NO. 10: DISCHARGE VALVE		
L3201HCB-FPP	1	8
ITEM NO. 11: BLEED VALVE		
NO BLEED VLAVE	1	8
ITEM NO. 12: FOOT VALVE/STRAINER		
J60606	1	8
ITEM NO. 13: INJECTION VALVE		
J61152-10P	1	8
REPLACEMENT FUSES		
L9707300-000	1	E PLUS SERIES, AND E SERIES PUMPS WITH FUSE HOLDER
L9700700-250	1	SERIES MP PUMP-CIRCUIT BREAKER

There is a KOPkit (rebuild kit) available for your pump that includes items 1, 2, 5, 7, 8, 9, 10, and a bleed valve o-ring.

The part number for the KOPkit can be found on your pump data label or you can determine the KOPkit part number from your pump model number by using the fourth, seventh, eighth, ninth and tenth positions for the model string

EXAMPLE:

Model	L	P	H	8	S	A	-	P	H	C	B	-	X	X	X
KOPkit Number				8				P	H	C	B				

= K8PHCB

PTC1 WET END PARTS

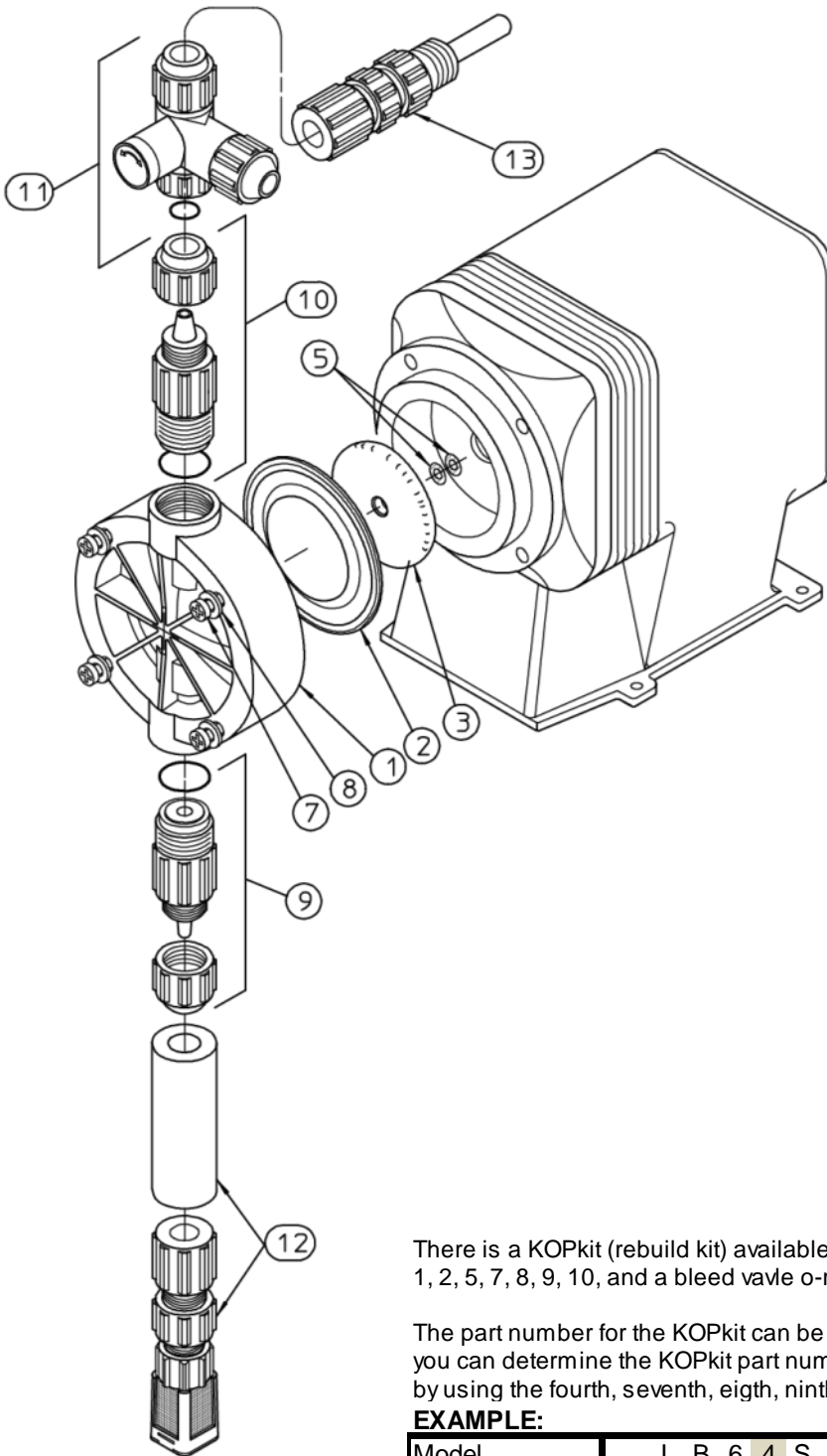
The following part numbers are the pump models with liquid end code PTC1 in the model
EXAMPLE: LB64SA-PTC1-XXX

Use the fourth digit in the model number from your pump to identify the part numbers below

EXAMPLE MODEL:

Position	1	2	3	4	5	6	-	7	8	9	10	-	11	12	13
Model:	L	B	6	4	S	A	-	P	T	C	1	-	X	X	X

For example the pump head (ITEM #1) for this pump would be:
Part Number: L0200400-FPP



PART NUMBER	QTY	DIGIT IN POSITION NUMBER FOUR OF THE MODEL NUMBER
ITEM NO. 1: PUMP HEAD (FPP)		
L0200900-FPP	1	2
L0200300-FPP	1	3
L0200400-FPP	1	4
ITEM NO. 2: DIAPHRAGM		
L0300900-THY	1	2
L0301000-THY	1	3
L0301100-THY	1	4
ITEM NO. 3: DEFLECTION PLATE		
L2100200-FPP	1	2
L2100300-FPP	1	3
L2100400-FPP	1	4
ITEM NO. 5: SHIM (0-2 REQUIRED)		
L9901200-BRS	0-2	ANY DIGIT
ITEM NO. 7 & 8: PUMP HEAD SCREWS AND WASHERS KIT (CONTAINS BOLTS AND WASHERS)		
L3900200-000	1	2,3, OR 4
ITEM NO. 9: SUCTION VALVE		
L3101TC1-FPP	1	ANY DIGIT
ITEM NO. 10: DISCHARGE VALVE		
L3201TC1-FPP	1	ANY DIGIT
ITEM NO. 11: BLEED VALVE		
L3300T01-FPP	1	ANY DIGIT
ITEM NO. 12: FOOT VALVE/STRAINER		
J40211	1	ANY DIGIT
ITEM NO. 13: INJECTION VALVE		
J61098	1	ANY DIGIT
REPLACEMENT FUSES		
L9707300-000	1	E PLUS SERIES, AND E SERIES PUMPS WITH FUSE HOLDER
L9711200-000	1	A PLUS, C, C PLUS, AND E SERIES PUMPS WITH PC BOARD MOUNTED
L9704700-000	1	SERIES E-DC PUMPS
L9700700-250	1	SERIES MP PUMP-CIRCUIT BREAKER

There is a KOPkit (rebuild kit) available for your pump that includes items 1, 2, 5, 7, 8, 9, 10, and a bleed valve o-ring.

The part number for the KOPkit can be found on your pump data label or you can determine the KOPkit part number from your pump model number by using the fourth, seventh, eighth, ninth and tenth positions for the model string

EXAMPLE:

Model	L	B	6	4	S	A	-	P	T	C	1	-	X	X	X
KOPkit Number				4				P	T	C	1				

= K4PTC1

PTC2 WET END PARTS

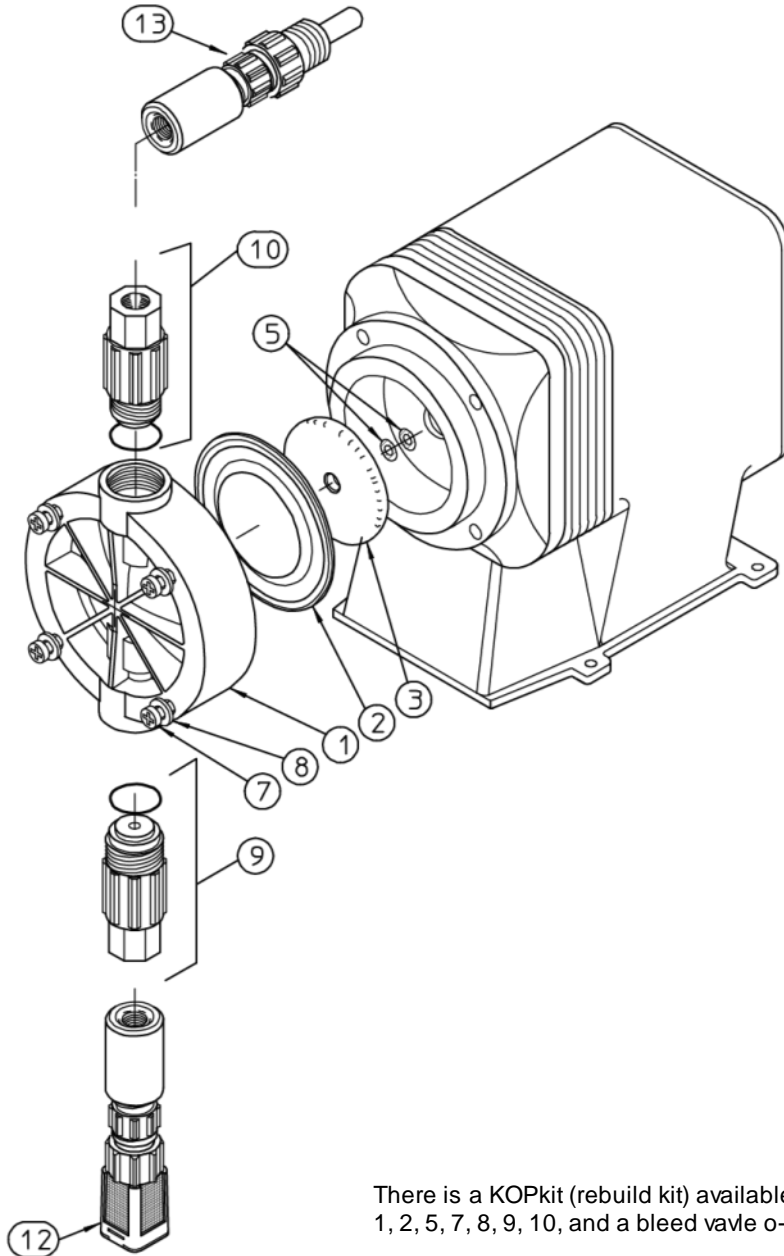
The following part numbers are the pump models with liquid end code PTC2 in the model
EXAMPLE: LB64SA-PTC2-XXX

Use the fourth digit in the model number from your pump to identify the part numbers below

EXAMPLE MODEL:

Position	1	2	3	4	5	6	-	7	8	9	10	-	11	12	13
Model:	L	B	6	4	S	A	-	P	T	C	2	-	X	X	X

For example the pump head (ITEM #1) for this pump would be:
Part Number: L0200400-FPP



PART NUMBER	QTY	DIGIT IN POSITION NUMBER FOUR OF THE MODEL NUMBER
ITEM NO. 1: PUMP HEAD (FPP)		
L0200900-FPP	1	2
L0200300-FPP	1	3
L0200400-FPP	1	4
ITEM NO. 2: DIAPHRAGM		
L0300900-THY	1	2
L0301000-THY	1	3
L0301100-THY	1	4
ITEM NO. 3: DEFLECTION PLATE		
L2100200-FPP	1	2
L2100300-FPP	1	3
L2100400-FPP	1	4
ITEM NO. 5: SHIM (0-2 REQUIRED)		
L9901200-BRS	0-2	ANY DIGIT
ITEM NO. 7 & 8: PUMP HEAD SCREWS AND WASHERS KIT (CONTAINS BOLTS AND WASHERS)		
L3900200-000	1	2,3, OR 4
ITEM NO. 9: SUCTION VALVE		
L3101TC2-FPP	1	ANY DIGIT
ITEM NO. 10: DISCHARGE VALVE		
L3201TC2-FPP	1	ANY DIGIT
ITEM NO. 11: BLEED VALVE		
NO BLEED VALVE	1	ANY DIGIT
ITEM NO. 12: FOOT VALVE/STRAINER		
J40179	1	ANY DIGIT
ITEM NO. 13: INJECTION VALVE		
J41944	1	ANY DIGIT
REPLACEMENT FUSES		
L9707300-000	1	E PLUS SERIES, AND E SERIES PUMPS WITH FUSE HOLDER
L9711200-000	1	A PLUS, C, C PLUS, AND E SERIES PUMPS WITH PC BOARD MOUNTED
L9704700-000	1	SERIES E-DC PUMPS
L9700700-250	1	SERIES MP PUMP-CIRCUIT BREAKER

There is a KOPkit (rebuild kit) available for your pump that includes items 1, 2, 5, 7, 8, 9, 10, and a bleed valve o-ring.

The part number for the KOPkit can be found on your pump data label or you can determine the KOPkit part number from your pump model number by using the fourth, seventh, eighth, ninth and tenth positions for the model string

EXAMPLE:

Model	L	B	6	4	S	A	-	P	T	C	2	-	X	X	X
KOPkit Number				4				P	T	C	2				

= K4PTC2

PTC3 WET END PARTS

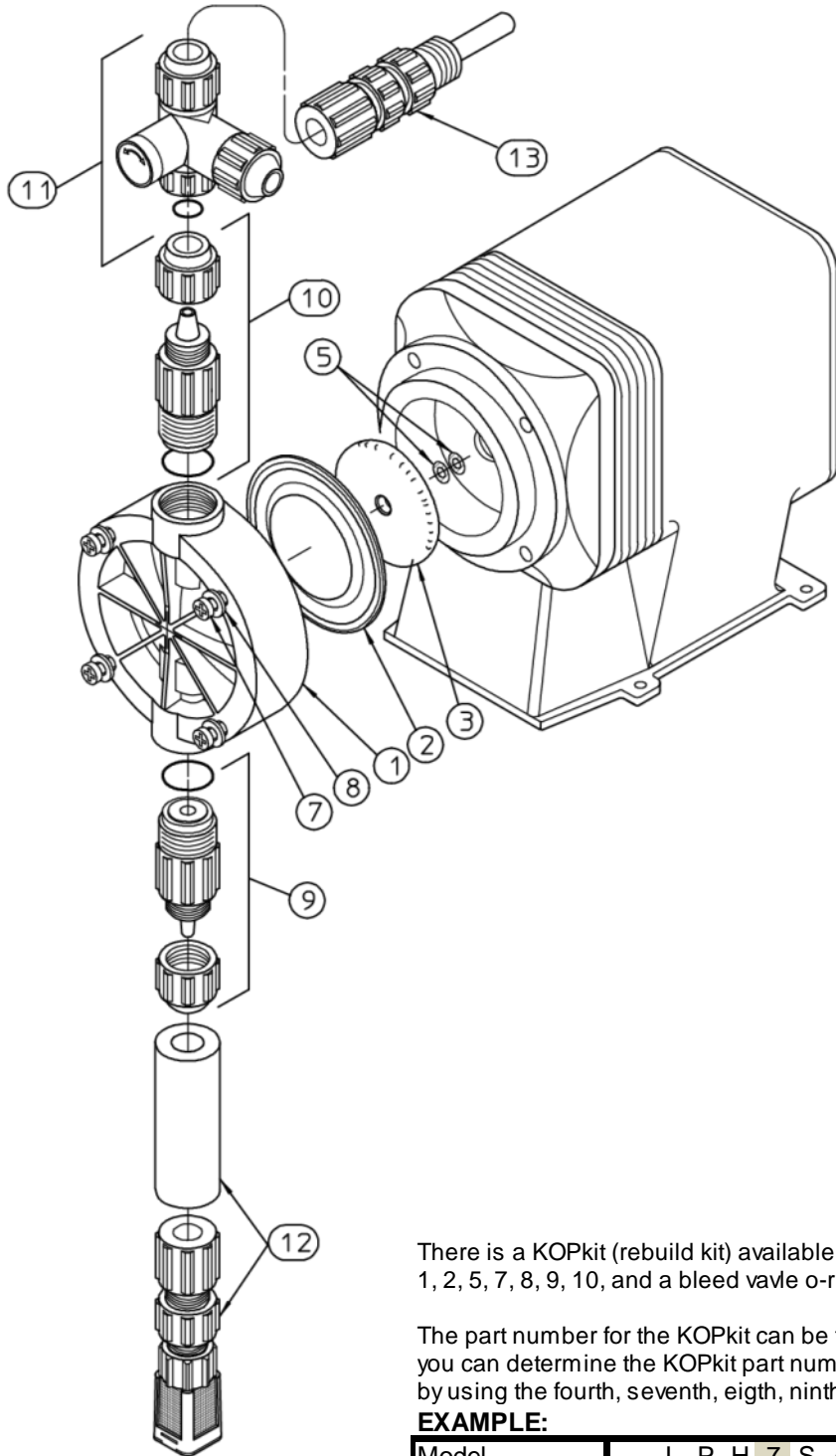
The following part numbers are the pump models with liquid end code PTC3 in the model
EXAMPLE: LPH7SA-PTC3-XXX

Use the fourth digit in the model number from your pump to identify the part numbers below

EXAMPLE MODEL:

Position	1	2	3	4	5	6	-	7	8	9	10	-	11	12	13
Model:	L	P	H	7	S	A	-	P	T	C	3	-	X	X	X

For example the pump head (ITEM #1) for this pump would be:
Part Number: L0200700-FPP



PART NUMBER	QTY	DIGIT IN POSITION NUMBER FOUR OF THE MODEL NUMBER
ITEM NO. 1: PUMP HEAD (FPP)		
L0200400-FPP	1	4
L0200500-FPP	1	5
L0200600-FPP	1	6
L0200700-FPP	1	7
ITEM NO. 2: DIAPHRAGM		
L0301100-THY	1	4
L0301200-THY	1	5
L0301300-THY	1	6
L0301400-THY	1	7
ITEM NO. 3: DEFLECTION PLATE		
L2100400-FPP	1	4
L2100500-FPP	1	5
L2100600-FPP	1	6
L2100700-FPP	1	7
ITEM NO. 5: SHIM (0-2 REQUIRED)		
L9901200-BRS	0-2	ANY DIGIT
ITEM NO. 7 & 8: PUMP HEAD SCREWS AND WASHERS KIT (CONTAINS BOLTS AND WASHERS)		
L3900200-000	1	2,3, OR 4
L3900300-000	1	5, 6 OR 7
ITEM NO. 9: SUCTION VALVE		
L3101TC3-FPP	1	ANY DIGIT
ITEM NO. 10: DISCHARGE VALVE		
L3201TC3-FPP	1	ANY DIGIT
ITEM NO. 11: BLEED VALVE		
L3300T03-FPP	1	ANY DIGIT
ITEM NO. 12: FOOT VALVE/STRAINER		
J40212	1	ANY DIGIT
ITEM NO. 13: INJECTION VALVE		
J41872	1	ANY DIGIT
REPLACEMENT FUSES		
L9707300-000	1	E PLUS SERIES, AND E SERIES PUMPS WITH FUSE HOLDER
L9711200-000	1	A PLUS, C, C PLUS, AND E SERIES PUMPS WITH PC BOARD MOUNTED
L9704700-000	1	SERIES E-DC PUMPS
L9700700-250	1	SERIES MP PUMP-CIRCUIT BREAKER

There is a KOPkit (rebuild kit) available for your pump that includes items 1, 2, 5, 7, 8, 9, 10, and a bleed valve o-ring.

The part number for the KOPkit can be found on your pump data label or you can determine the KOPkit part number from your pump model number by using the fourth, seventh, eighth, ninth and tenth positions for the model string

EXAMPLE:

Model	L	P	H	7	S	A	-	P	T	C	3	-	X	X	X
KOPkit Number				7				P	T	C	3				

= K7PTC3

PTC4 WET END PARTS

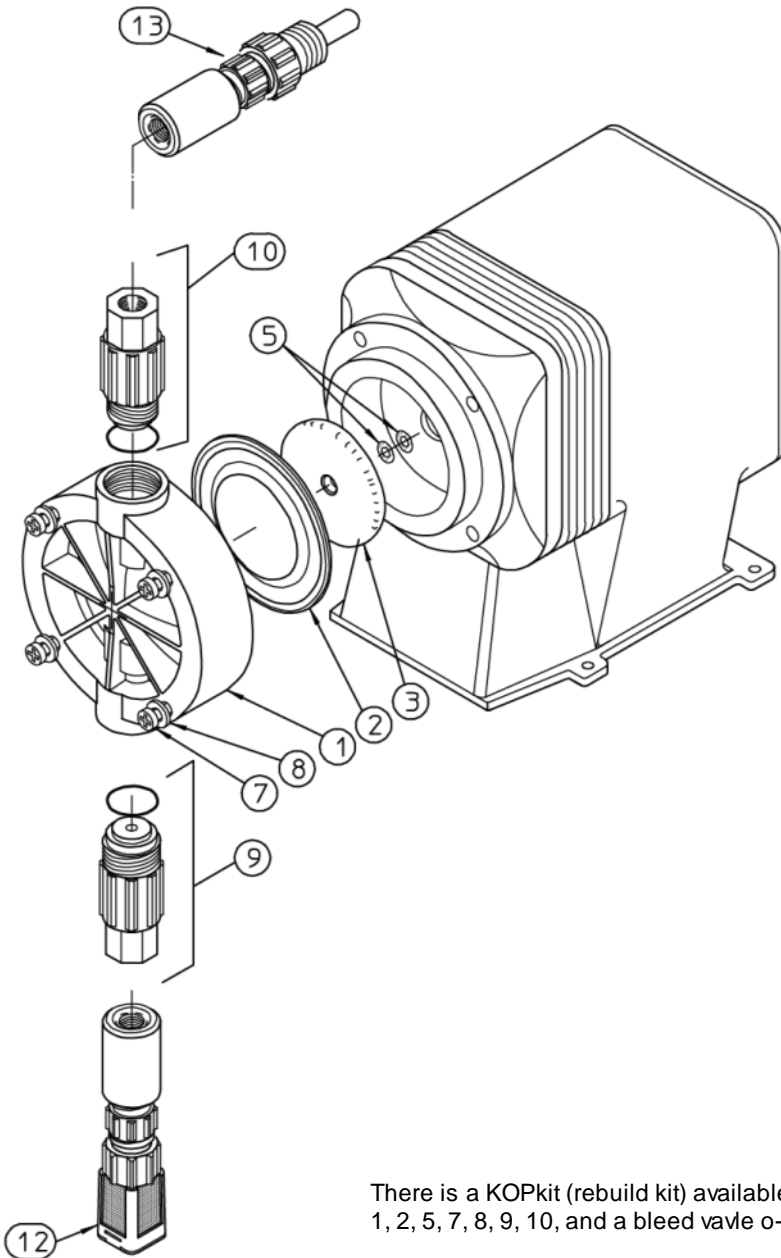
The following part numbers are the pump models with liquid end code PTC4 in the model
EXAMPLE: LPH7SA-PTC4-XXX

Use the fourth digit in the model number from your pump to identify the part numbers below

EXAMPLE MODEL:

Position	1	2	3	4	5	6	-	7	8	9	10	-	11	12	13
Model:	L	P	H	7	S	A	-	P	T	C	4	-	X	X	X

For example the pump head (ITEM #1) for this pump would be:
Part Number: L0200700-FPP



PART NUMBER	QTY	DIGIT IN POSITION NUMBER FOUR OF THE MODEL NUMBER
ITEM NO. 1: PUMP HEAD (FPP)		
L0200400-FPP	1	4
L0200500-FPP	1	5
L0200600-FPP	1	6
L0200700-FPP	1	7
ITEM NO. 2: DIAPHRAGM		
L0301100-THY	1	4
L0301200-THY	1	5
L0301300-THY	1	6
L0301400-THY	1	7
ITEM NO. 3: DEFLECTION PLATE		
L2100400-FPP	1	4
L2100500-FPP	1	5
L2100600-FPP	1	6
L2100700-FPP	1	7
ITEM NO. 5: SHIM (0-2 REQUIRED)		
L9901200-BRS	0-2	ANY DIGIT
ITEM NO. 7 & 8: PUMP HEAD SCREWS AND WASHERS KIT (CONTAINS BOLTS AND WASHERS)		
L3900200-000	1	2,3, OR 4
L3900300-000	1	5, 6 OR 7
ITEM NO. 9: SUCTION VALVE		
L3101TC4-FPP	1	ANY DIGIT
ITEM NO. 10: DISCHARGE VALVE		
L3201TC4-FPP	1	ANY DIGIT
ITEM NO. 11: BLEED VALVE		
NO BLEED VALVE	1	ANY DIGIT
ITEM NO. 12: FOOT VALVE/STRAINER		
J40179	1	ANY DIGIT
ITEM NO. 13: INJECTION VALVE		
J41944	1	ANY DIGIT
REPLACEMENT FUSES		
L9707300-000	1	E PLUS SERIES, AND E SERIES PUMPS WITH FUSE HOLDER
L9711200-000	1	A PLUS, C, C PLUS, AND E SERIES PUMPS WITH PC BOARD MOUNTED
L9704700-000	1	SERIES E-DC PUMPS
L9700700-250	1	SERIES MP PUMP-CIRCUIT BREAKER

There is a KOPkit (rebuild kit) available for your pump that includes items 1, 2, 5, 7, 8, 9, 10, and a bleed valve o-ring.

The part number for the KOPkit can be found on your pump data label or you can determine the KOPkit part number from your pump model number by using the fourth, seventh, eighth, ninth and tenth positions for the model string

EXAMPLE:

Model	L	P	H	7	S	A	-	P	T	C	4	-	X	X	X
KOPkit Number				7				P	T	C	4				

= K7PTC4

PTC5 WET END PARTS

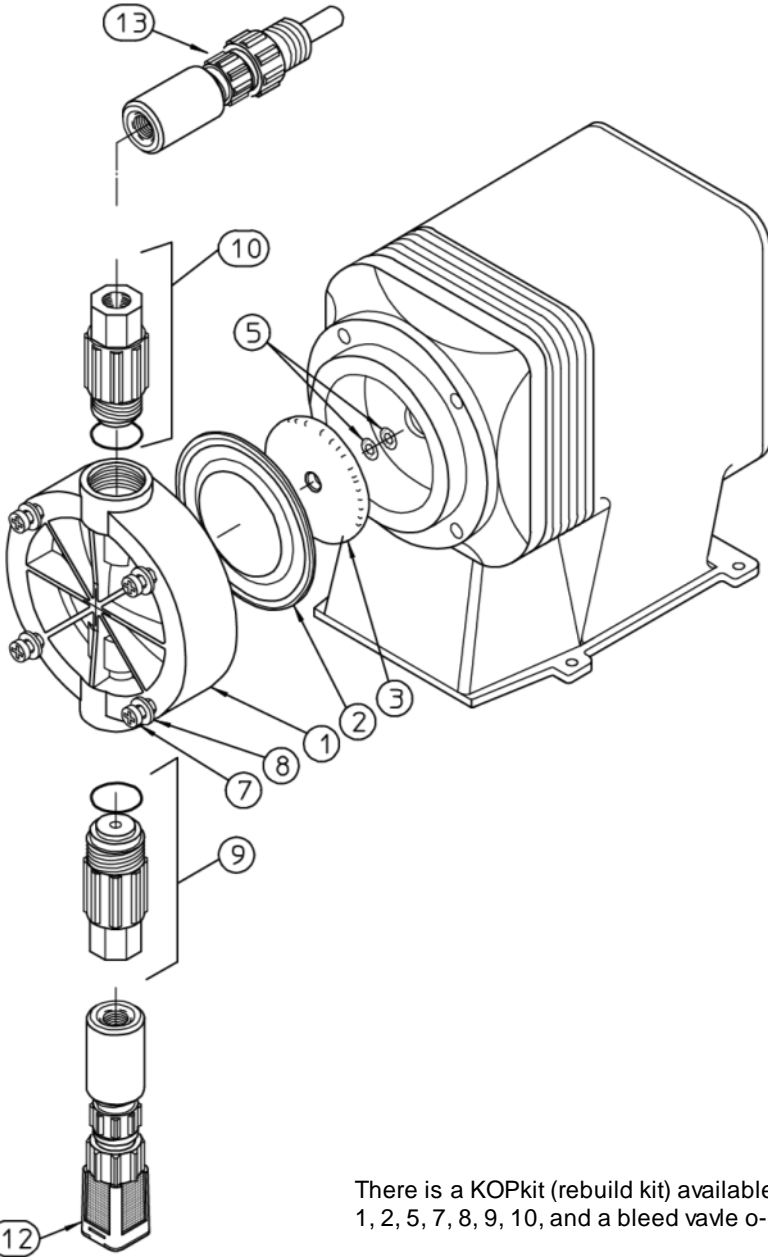
The following part numbers are the pump models with liquid end code PTC5 in the model
EXAMPLE: LPH7SA-PTC5-XXX

Use the fourth digit in the model number from your pump to identify the part numbers below

EXAMPLE MODEL:

Position	1	2	3	4	5	6	-	7	8	9	10	-	11	12	13
Model:	L	P	H	7	S	A	-	P	T	C	5	-	X	X	X

For example the pump head (ITEM #1) for this pump would be:
 Part Number: **L0200700-FPP**



PART NUMBER	QTY	DIGIT IN POSITION NUMBER FOUR OF THE MODEL NUMBER
ITEM NO. 1: PUMP HEAD (FPP)		
L0200200-FPP	1	2
L0200300-FPP	1	3
L0200400-FPP	1	4
L0200500-FPP	1	5
L0200600-FPP	1	6
L0200700-FPP	1	7
ITEM NO. 2: DIAPHRAGM		
L0300900-THY	1	2
L0301000-THY	1	3
L0301100-THY	1	4
L0301200-THY	1	5
L0301300-THY	1	6
L0301400-THY	1	7
ITEM NO. 3: DEFLECTION PLATE		
L2100200-FPP	1	2
L2100300-FPP	1	3
L2100400-FPP	1	4
L2100500-FPP	1	5
L2100600-FPP	1	6
L2100700-FPP	1	7
ITEM NO. 5: SHIM (0-2 REQUIRED)		
L9901200-BRS	0-2	ANY DIGIT
ITEM NO. 7 & 8: PUMP HEAD SCREWS AND WASHERS KIT (CONTAINS BOLTS AND WASHERS)		
L3900200-000	1	2,3, OR 4
L3900300-000	1	5, 6 OR 7
ITEM NO. 9: SUCTION VALVE		
L3101TC7-FPP	1	ANY DIGIT
ITEM NO. 10: DISCHARGE VALVE		
L3201TC5-FPP	1	ANY DIGIT
ITEM NO. 11: BLEED VALVE		
L3300T03-FPP	1	ANY DIGIT
ITEM NO. 12: FOOT VALVE/STRAINER		
NO FOOT VALVE	1	ANY DIGIT
ITEM NO. 13: INJECTION VALVE		
J41872	1	ANY DIGIT
REPLACEMENT FUSES		
L9707300-000	1	E PLUS SERIES, AND E SERIES PUMPS WITH FUSE HOLDER
L9711200-000	1	A PLUS, C, C PLUS, AND E SERIES PUMPS WITH PC BOARD MOUNTED
L9704700-000	1	SERIES E-DC PUMPS
L9700700-250	1	SERIES MP PUMP-CIRCUIT BREAKER

There is a KOPkit (rebuild kit) available for your pump that includes items 1, 2, 5, 7, 8, 9, 10, and a bleed valve o-ring.

The part number for the KOPkit can be found on your pump data label or you can determine the KOPkit part number from your pump model number by using the fourth, seventh, eighth, ninth and tenth positions for the model string

EXAMPLE:

Model	L	P	H	7	S	A	-	P	T	C	5	-	X	X	X
KOPkit Number				7				P	T	C	5				

= K7PTC5

PTCB WET END PARTS

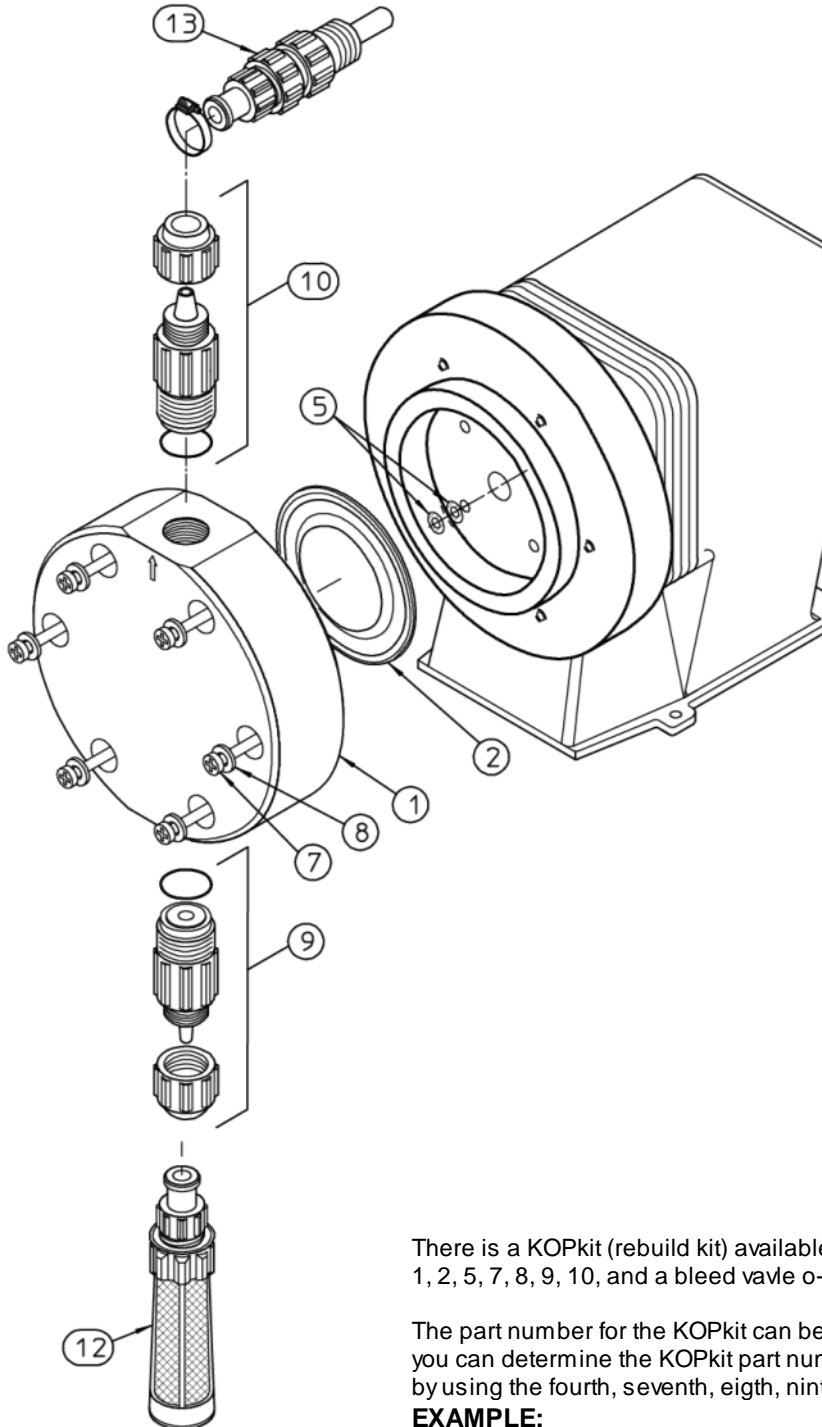
The following part numbers are the pump models with liquid end code PTCB in the model
EXAMPLE: LPH8SA-PTCB-XXX

Use the fourth digit in the model number from your pump to identify the part numbers below

EXAMPLE MODEL:

Position	1	2	3	4	5	6	-	7	8	9	10	-	11	12	13
Model:	L	P	H	8	S	A	-	P	T	C	B	-	X	X	X

For example the pump head (ITEM #1) for this pump would be:
Part Number: L0200800-PPL



PART NUMBER	QTY	DIGIT IN POSITION NUMBER FOUR OF THE MODEL NUMBER
ITEM NO. 1: PUMP HEAD (PPL)		
L0200800-PPL	1	8
ITEM NO. 2: DIAPHRAGM		
L0301600-THY	1	8
ITEM NO. 3: DEFLECTION PLATE		
NOT USED ON THESE MODELS		
ITEM NO. 5: SHIM (0-2 REQUIRED)		
L9901200-BRS	0-2	8
ITEM NO. 7 & 8: PUMP HEAD SCREWS AND WASHERS KIT (CONTAINS BOLTS AND WASHERS)		
L3900400-000	1	8
ITEM NO. 9: SUCTION VALVE		
L3101TCB-FPP	1	8
ITEM NO. 10: DISCHARGE VALVE		
L3201TCB-FPP	1	8
ITEM NO. 11: BLEED VALVE		
NO BLEED VALVE	1	8
ITEM NO. 12: FOOT VALVE/STRAINER		
J60661	1	8
ITEM NO. 13: INJECTION VALVE		
J61149-10P	1	8
REPLACEMENT FUSES		
L9707300-000	1	E PLUS SERIES, AND E SERIES PUMPS WITH FUSE HOLDER
L9700700-250	1	SERIES MP PUMP-CIRCUIT BREAKER

There is a KOPkit (rebuild kit) available for your pump that includes items 1, 2, 5, 7, 8, 9, 10, and a bleed valve o-ring.

The part number for the KOPkit can be found on your pump data label or you can determine the KOPkit part number from your pump model number by using the fourth, seventh, eighth, ninth and tenth positions for the model string

EXAMPLE:

Model	L	P	H	8	S	A	-	P	T	C	B	-	X	X	X
KOPkit Number				8				P	T	C	B				

= K8PTCB

PTCJ WET END PARTS

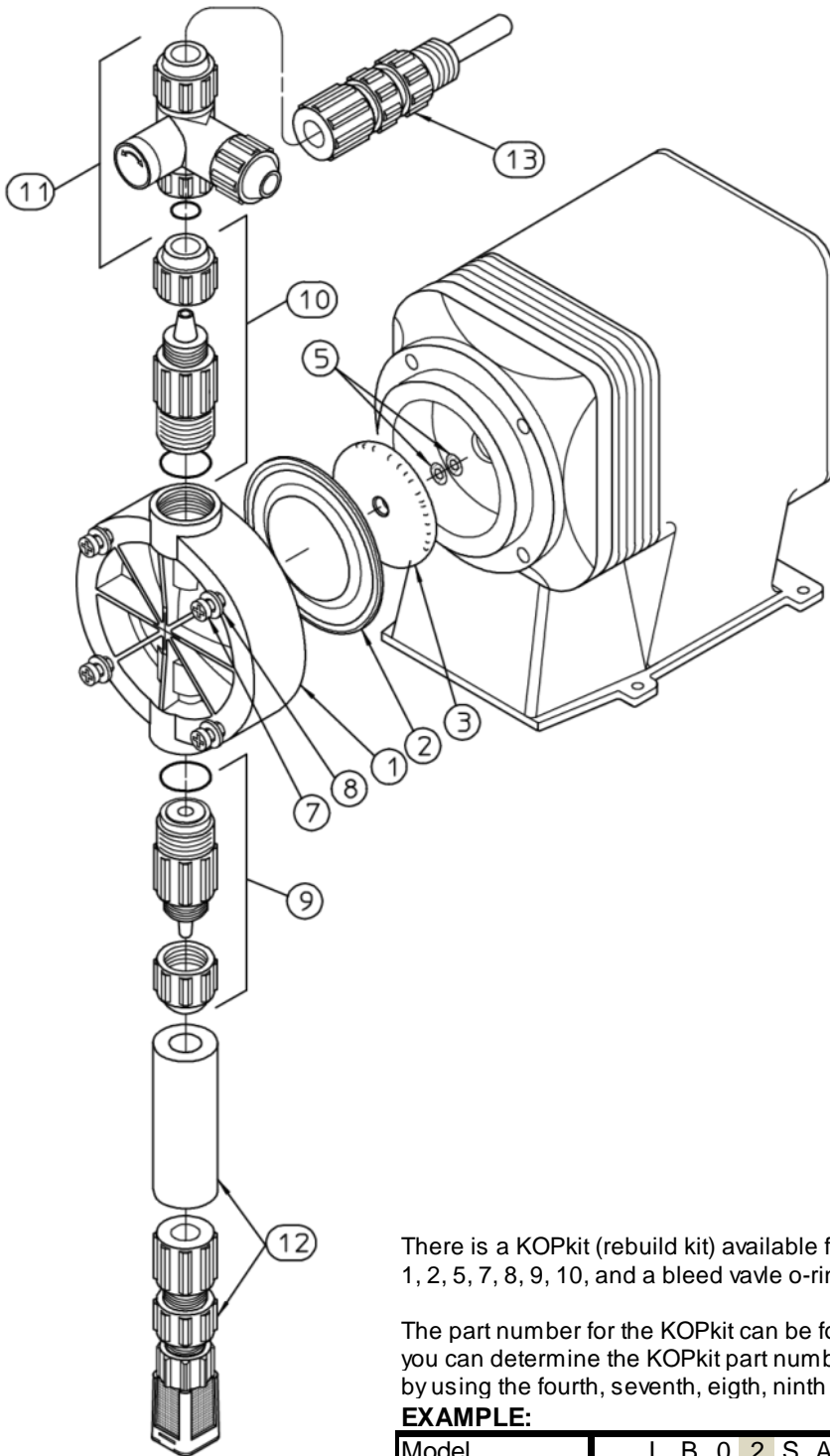
The following part numbers are the pump models with liquid end code PTCJ in the model
EXAMPLE: LB02SA-PTCJ-XXX

Use the fourth digit in the model number from your pump to identify the part numbers below

EXAMPLE MODEL:

Position	1	2	3	4	5	6	-	7	8	9	10	-	11	12	13
Model:	L	B	0	2	S	A	-	P	T	C	J	-	X	X	X

For example the pump head (ITEM #1) for this pump would be:
Part Number: L0200900-FPP



PART NUMBER	QTY	DIGIT IN POSITION NUMBER FOUR OF THE MODEL NUMBER
ITEM NO. 1: PUMP HEAD (PVD)		
L0200900-FPP	1	2
L0201000-FPP	1	3
ITEM NO. 2: DIAPHRAGM		
L0300900-THY	1	2
L0301000-THY	1	3
ITEM NO. 3: DEFLECTION PLATE		
L2100200-FPP	1	2
L2100300-FPP	1	3
ITEM NO. 5: SHIM (0-2 REQUIRED)		
L9901200-BRS	0-2	ANY DIGIT
ITEM NO. 7 & 8: PUMP HEAD SCREWS AND WASHERS KIT (CONTAINS BOLTS AND WASHERS)		
L3900200-000	1	2,3, OR 4
ITEM NO. 9: SUCTION VALVE		
L3101TCJ-FPP	1	ANY DIGIT
ITEM NO. 10: DISCHARGE VALVE		
L3201TCJ-FPP	1	ANY DIGIT
ITEM NO. 11: BLEED VALVE		
L3300T0J-FPP	1	ANY DIGIT
ITEM NO. 12: FOOT VALVE/STRAINER		
J40211	1	ANY DIGIT
ITEM NO. 13: INJECTION VALVE		
J61098	1	ANY DIGIT
REPLACEMENT FUSES		
L9707300-000	1	E PLUS SERIES, AND E SERIES PUMPS WITH FUSE HOLDER
L9711200-000	1	A PLUS, C, C PLUS, AND E SERIES PUMPS WITH PC BOARD MOUNTED
L9704700-000	1	SERIES E-DC PUMPS
L9700700-250	1	SERIES MP PUMP-CIRCUIT BREAKER

There is a KOPkit (rebuild kit) available for your pump that includes items 1, 2, 5, 7, 8, 9, 10, and a bleed valve o-ring.

The part number for the KOPkit can be found on your pump data label or you can determine the KOPkit part number from your pump model number by using the fourth, seventh, eighth, ninth and tenth positions for the model string

EXAMPLE:

Model	L	B	0	2	S	A	-	P	T	C	J	-	X	X	X
KOPkit Number				2				P	T	C	J				

= K2PTCJ

PTS5 WET END PARTS

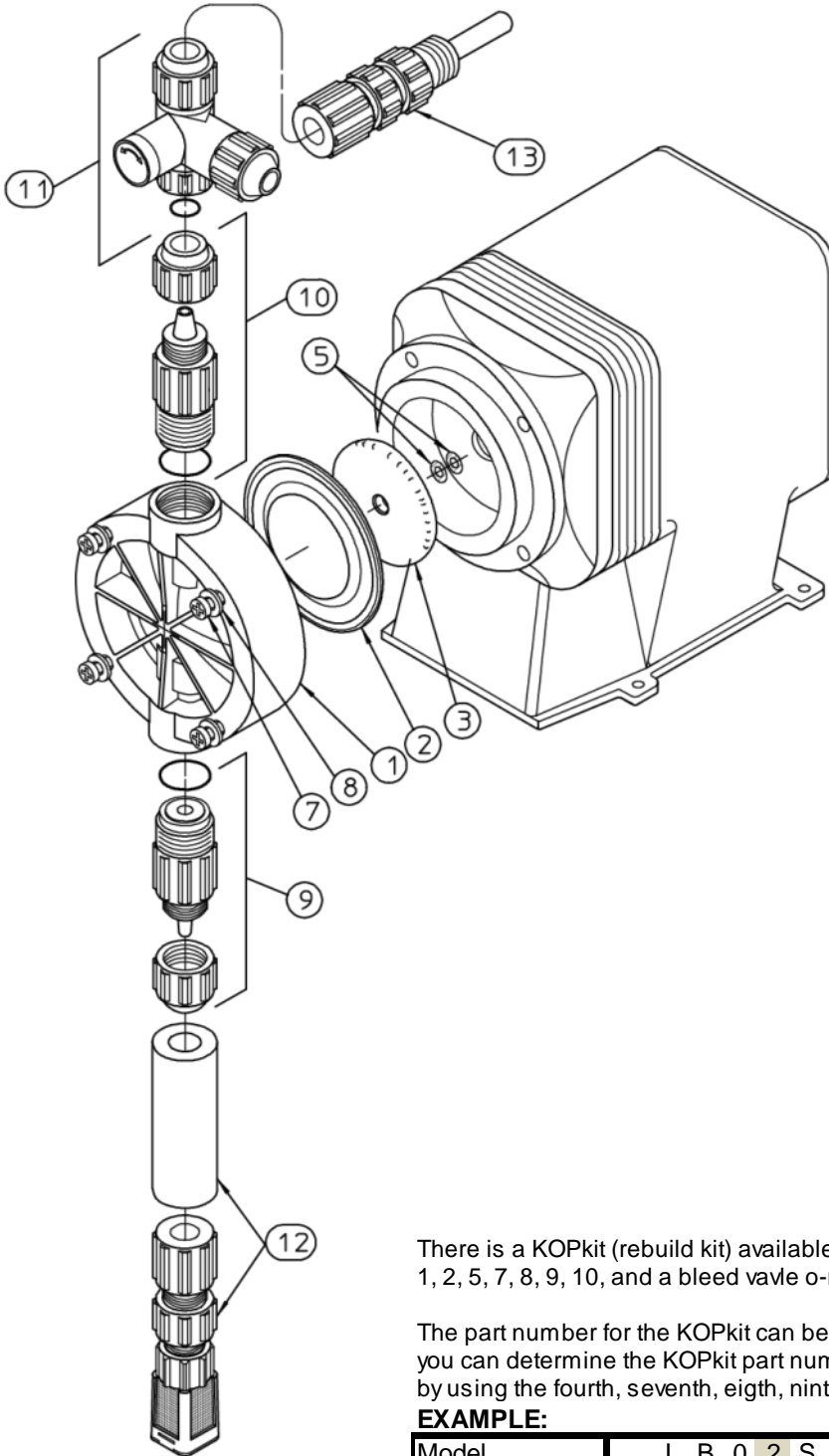
The following part numbers are the pump models with liquid end code PTS5 in the model
EXAMPLE: LB02SA-PTS5-XXX

Use the fourth digit in the model number from your pump to identify the part numbers below

EXAMPLE MODEL:

Position	1	2	3	4	5	6	-	7	8	9	10	-	11	12	13
Model:	L	B	0	2	S	A	-	P	T	S	5	-	X	X	X

For example the pump head (ITEM #1) for this pump would be:
Part Number: L0200900-FPP



PART NUMBER	QTY	DIGIT IN POSITION NUMBER FOUR OF THE MODEL NUMBER
ITEM NO. 1: PUMP HEAD (FPP)		
L0200200-FPP	1	2
L0200300-FPP	1	3
L0200400-FPP	1	4
L0200500-FPP	1	5
L0200600-FPP	1	6
L0200700-FPP	1	7
ITEM NO. 2: DIAPHRAGM		
L0300900-THY	1	2
L0301000-THY	1	3
L0301100-THY	1	4
L0301200-THY	1	5
L0301300-THY	1	6
L0301400-THY	1	7
ITEM NO. 3: DEFLECTION PLATE		
L2100200-FPP	1	2
L2100300-FPP	1	3
L2100400-FPP	1	4
L2100500-FPP	1	5
L2100600-FPP	1	6
L2100700-FPP	1	7
ITEM NO. 5: SHIM (0-2 REQUIRED)		
L9901200-BRS	0-2	ANY DIGIT
ITEM NO. 7 & 8: PUMP HEAD SCREWS AND		
L3900200-000	1	2,3, OR 4
L3900300-000	1	5, 6 OR 7
ITEM NO. 9: SUCTION VALVE		
L3101TC7-FPP	1	ANY DIGIT
ITEM NO. 10: DISCHARGE VALVE		
L3201TC5-FPP	1	ANY DIGIT
ITEM NO. 11: BLEED VALVE		
L3300T03-FPP	1	ANY DIGIT
ITEM NO. 12: FOOT VALVE/STRAINER		
NO FOOT VALVE	1	ANY DIGIT
ITEM NO. 13: INJECTION VALVE		
J41879	1	ANY DIGIT
REPLACEMENT FUSES		
L9707300-000	1	E PLUS SERIES, AND E SERIES
L9711200-000	1	A PLUS, C, C PLUS, AND E SERIES
L9704700-000	1	SERIES E-DC PUMPS
L9700700-250	1	SERIES MP PUMP-CIRCUIT BREAKER

There is a KOPkit (rebuild kit) available for your pump that includes items 1, 2, 5, 7, 8, 9, 10, and a bleed valve o-ring.

The part number for the KOPkit can be found on your pump data label or you can determine the KOPkit part number from your pump model number by using the fourth, seventh, eighth, ninth and tenth positions for the model string

EXAMPLE:

Model	L	B	0	2	S	A	-	P	T	S	5	-	X	X	X
KOPkit Number				2				P	T	S	5				

= K2PTS5

Use the fourth digit in the model number from your pump to identify the

PTT1 WET END PARTS

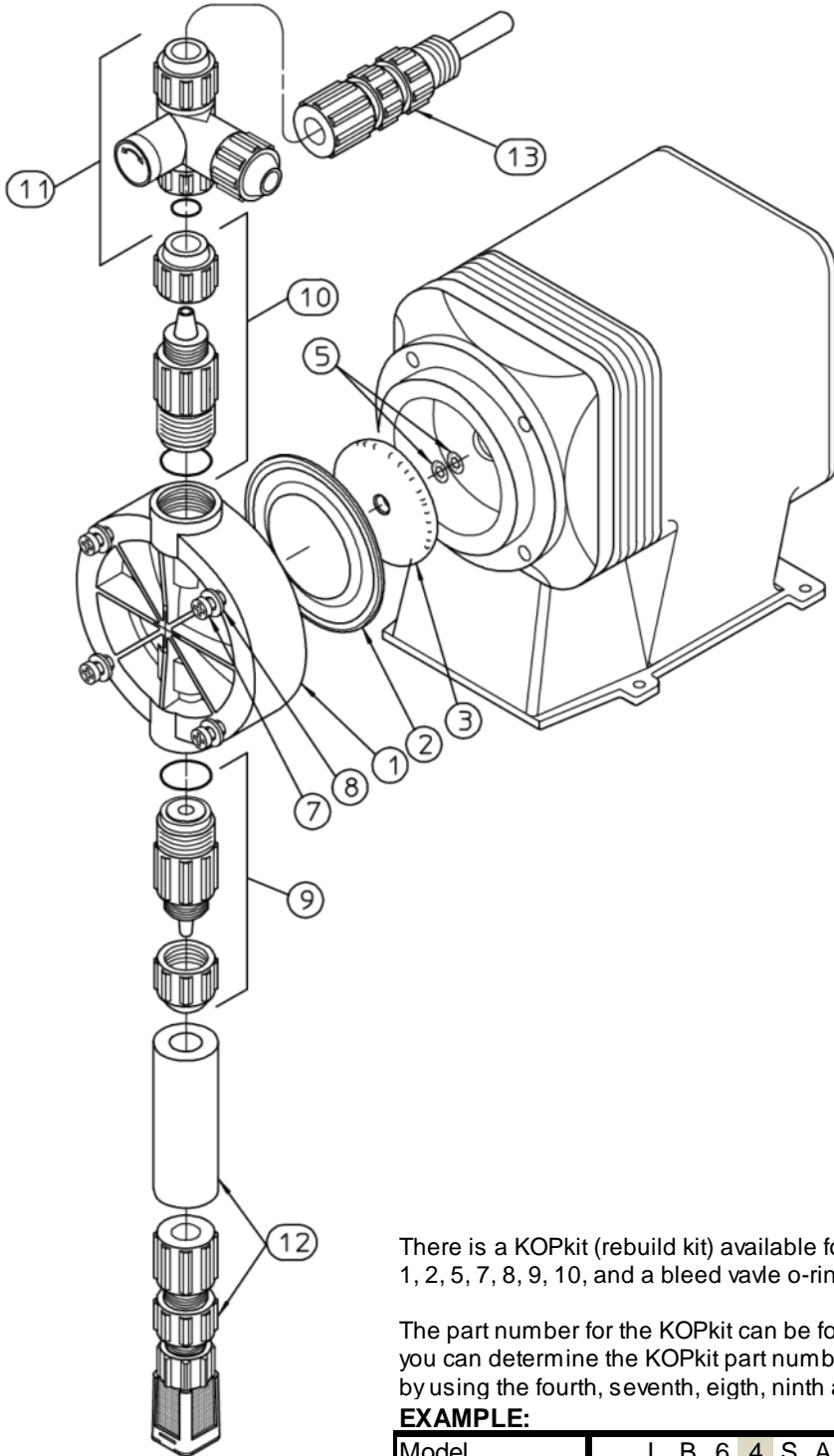
The following part numbers are the pump models with liquid end code PTT1 in the model
EXAMPLE: LB64SA-PTT1-XXX

Use the fourth digit in the model number from your pump to identify the part numbers below

EXAMPLE MODEL:

Position	1	2	3	4	5	6	-	7	8	9	10	-	11	12	13
Model:	L	B	6	4	S	A	-	P	T	T	1	-	X	X	X

For example the pump head (ITEM #1) for this pump would be:
Part Number: L0200400-FPP



PART NUMBER	QTY	DIGIT IN POSITION NUMBER FOUR OF THE MODEL NUMBER
ITEM NO. 1: PUMP HEAD (FPP)		
L0200900-FPP	1	2
L0200300-FPP	1	3
L0200400-FPP	1	4
ITEM NO. 2: DIAPHRAGM		
L0300900-THY	1	2
L0301000-THY	1	3
L0301100-THY	1	4
ITEM NO. 3: DEFLECTION PLATE		
L2100200-FPP	1	2
L2100300-FPP	1	3
L2100400-FPP	1	4
ITEM NO. 5: SHIM (0-2 REQUIRED)		
L9901200-BRS	0-2	ANY DIGIT
ITEM NO. 7 & 8: PUMP HEAD SCREWS AND WASHERS KIT (CONTAINS BOLTS AND WASHERS)		
L3900200-000	1	2,3, OR 4
ITEM NO. 9: SUCTION VALVE		
L3101TT1-FPP	1	ANY DIGIT
ITEM NO. 10: DISCHARGE VALVE		
L3201TT1-FPP	1	ANY DIGIT
ITEM NO. 11: BLEED VALVE		
L3300T01-FPP	1	ANY DIGIT
ITEM NO. 12: FOOT VALVE/STRAINER		
J40169	1	ANY DIGIT
ITEM NO. 13: INJECTION VALVE		
J41874	1	ANY DIGIT
REPLACEMENT FUSES		
L9707300-000	1	E PLUS SERIES, AND E SERIES PUMPS WITH FUSE HOLDER
L9711200-000	1	A PLUS, C, C PLUS, AND E SERIES PUMPS WITH PC BOARD MOUNTED
L9704700-000	1	SERIES E-DC PUMPS
L9700700-250	1	SERIES MP PUMP-CIRCUIT BREAKER

There is a KOPkit (rebuild kit) available for your pump that includes items 1, 2, 5, 7, 8, 9, 10, and a bleed valve o-ring.

The part number for the KOPkit can be found on your pump data label or you can determine the KOPkit part number from your pump model number by using the fourth, seventh, eighth, ninth and tenth positions for the model string

EXAMPLE:

Model	L	B	6	4	S	A	-	P	T	T	1	-	X	X	X
KOPkit Number				4				P	T	T	1				

= K4PTT1

PTT2 WET END PARTS

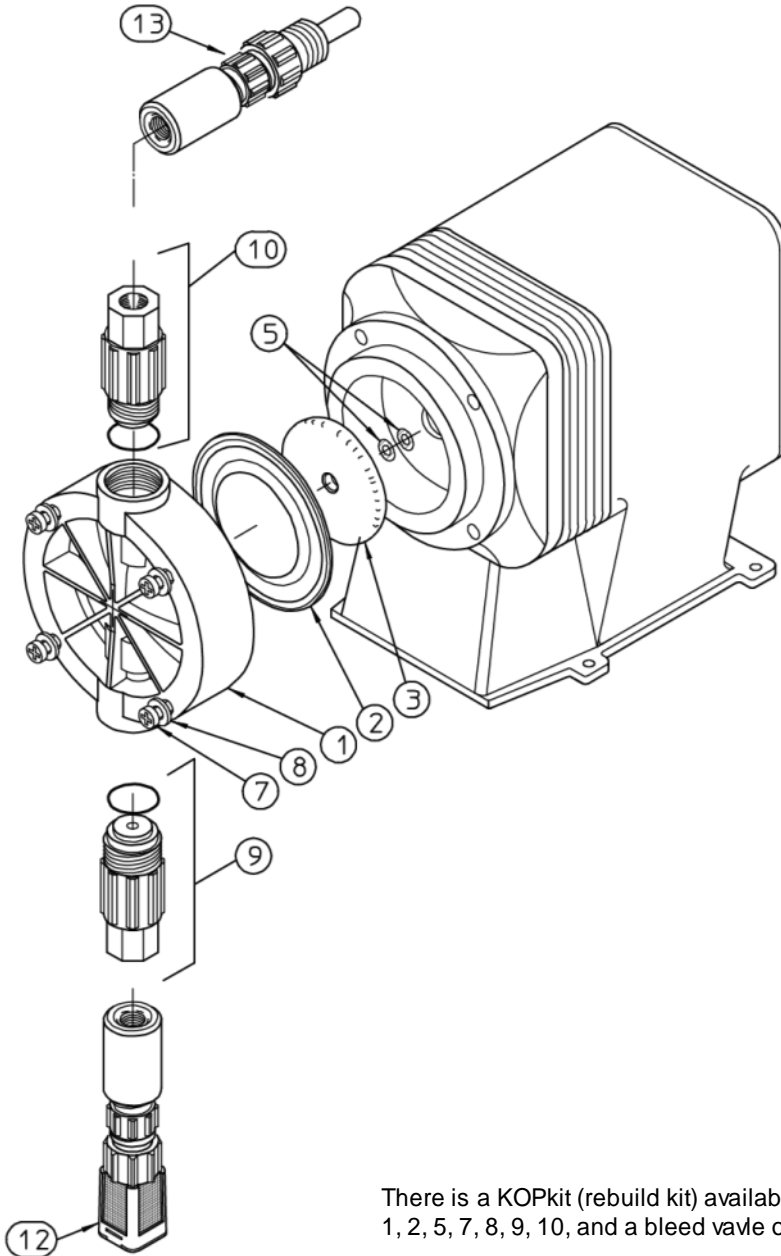
The following part numbers are the pump models with liquid end code PTT2 in the model
EXAMPLE: LB64SA-PTT2-XXX

Use the fourth digit in the model number from your pump to identify the part numbers below

EXAMPLE MODEL:

Position	1	2	3	4	5	6	-	7	8	9	10	-	11	12	13
Model:	L	B	6	4	S	A	-	P	T	T	2	-	X	X	X

For example the pump head (ITEM #1) for this pump would be:
Part Number: L0200400-FPP



PART NUMBER	QTY	DIGIT IN POSITION NUMBER FOUR OF THE MODEL NUMBER
ITEM NO. 1: PUMP HEAD (FPP)		
L0200900-FPP	1	2
L0200300-FPP	1	3
L0200400-FPP	1	4
ITEM NO. 2: DIAPHRAGM		
L0300900-THY	1	2
L0301000-THY	1	3
L0301100-THY	1	4
ITEM NO. 3: DEFLECTION PLATE		
L2100200-FPP	1	2
L2100300-FPP	1	3
L2100400-FPP	1	4
ITEM NO. 5: SHIM (0-2 REQUIRED)		
L9901200-BRS	0-2	ANY DIGIT
ITEM NO. 7 & 8: PUMP HEAD SCREWS AND WASHERS KIT (CONTAINS BOLTS AND WASHERS)		
L3900200-000	1	2,3, OR 4
ITEM NO. 9: SUCTION VALVE		
L3101TT2-FPP	1	ANY DIGIT
ITEM NO. 10: DISCHARGE VALVE		
L3201TT2-FPP	1	ANY DIGIT
ITEM NO. 11: BLEED VALVE		
NO BLEED VALVE	1	ANY DIGIT
ITEM NO. 12: FOOT VALVE/STRAINER		
J40180	1	ANY DIGIT
ITEM NO. 13: INJECTION VALVE		
J41895	1	ANY DIGIT
REPLACEMENT FUSES		
L9707300-000	1	E PLUS SERIES, AND E SERIES PUMPS WITH FUSE HOLDER
L9711200-000	1	A PLUS, C, C PLUS, AND E SERIES PUMPS WITH PC BOARD MOUNTED
L9704700-000	1	SERIES E-DC PUMPS
L9700700-250	1	SERIES MP PUMP-CIRCUIT BREAKER

There is a KOPkit (rebuild kit) available for your pump that includes items 1, 2, 5, 7, 8, 9, 10, and a bleed valve o-ring.

The part number for the KOPkit can be found on your pump data label or you can determine the KOPkit part number from your pump model number by using the fourth, seventh, eighth, ninth and tenth positions for the model string

EXAMPLE:

Model	L	B	6	4	S	A	-	P	T	T	2	-	X	X	X
KOPkit Number				4				P	T	T	2				

= K4PTT2

Use the fourth digit in the model number from your pump to identify the

PTT3 WET END PARTS

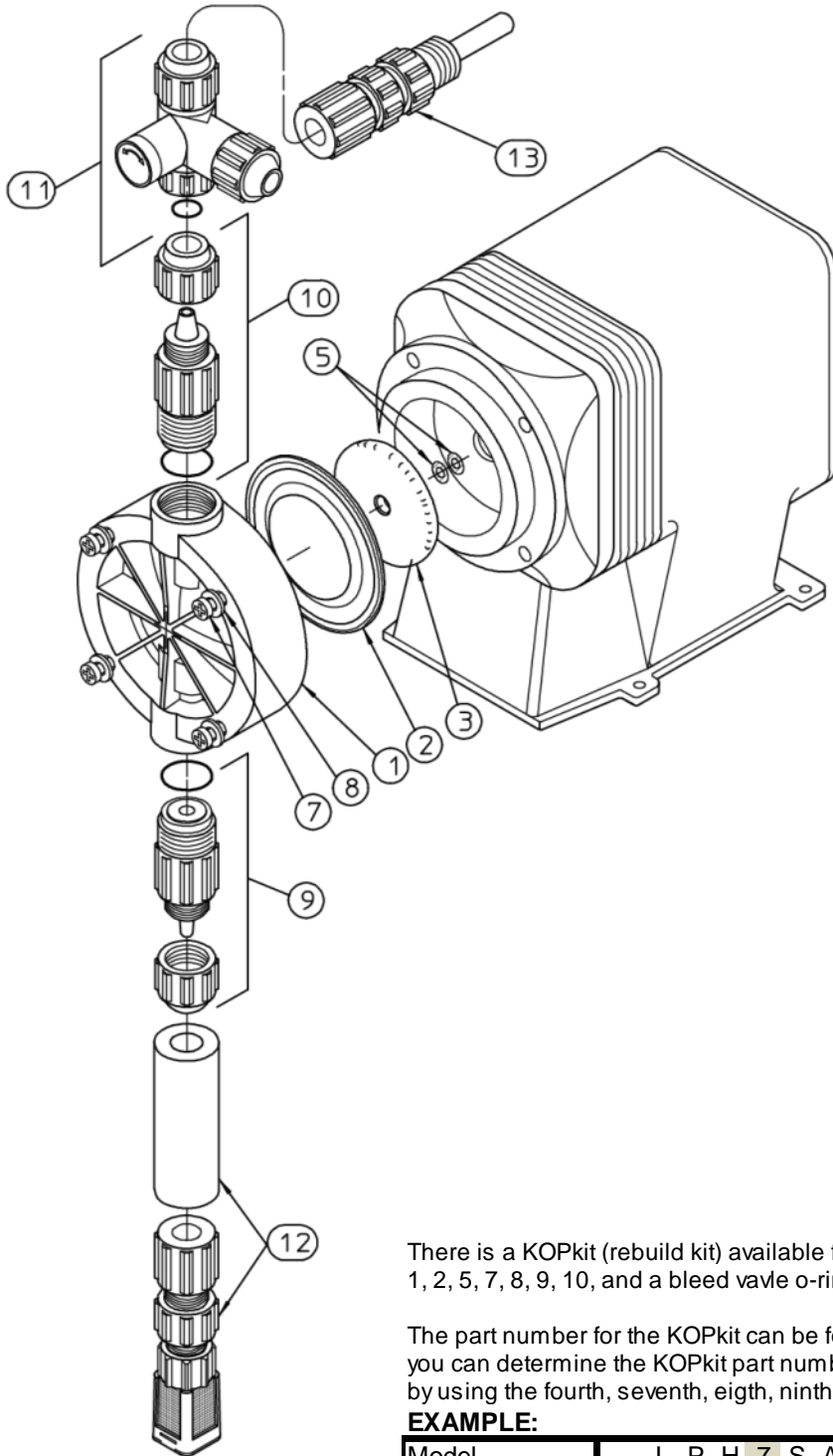
The following part numbers are the pump models with liquid end code PTT3 in the model
EXAMPLE: LPH7SA-PTT3-XXX

Use the fourth digit in the model number from your pump to identify the part numbers below

EXAMPLE MODEL:

Position	1	2	3	4	5	6	-	7	8	9	10	-	11	12	13
Model:	L	P	H	7	S	A	-	P	T	T	3	-	X	X	X

For example the pump head (ITEM #1) for this pump would be:
Part Number: L0200700-FPP



PART NUMBER	QTY	DIGIT IN POSITION NUMBER FOUR OF THE MODEL NUMBER
ITEM NO. 1: PUMP HEAD (FPP)		
L0200400-FPP	1	4
L0200500-FPP	1	5
L0200600-FPP	1	6
L0200700-FPP	1	7
ITEM NO. 2: DIAPHRAGM		
L0301100-THY	1	4
L0301200-THY	1	5
L0301300-THY	1	6
L0301400-THY	1	7
ITEM NO. 3: DEFLECTION PLATE		
L2100400-FPP	1	4
L2100500-FPP	1	5
L2100600-FPP	1	6
L2100700-FPP	1	7
ITEM NO. 5: SHIM (0-2 REQUIRED)		
L9901200-BRS	0-2	ANY DIGIT
ITEM NO. 7 & 8: PUMP HEAD SCREWS AND WASHERS KIT (CONTAINS BOLTS AND WASHERS)		
L3900200-000	1	2,3, OR 4
L3900300-000	1	5, 6 OR 7
ITEM NO. 9: SUCTION VALVE		
L3101TT3-FPP	1	ANY DIGIT
ITEM NO. 10: DISCHARGE VALVE		
L3201TT3-FPP	1	ANY DIGIT
ITEM NO. 11: BLEED VALVE		
L3300T03-FPP	1	ANY DIGIT
ITEM NO. 12: FOOT VALVE/STRAINER		
J40171	1	ANY DIGIT
ITEM NO. 13: INJECTION VALVE		
J41875	1	ANY DIGIT
REPLACEMENT FUSES		
L9707300-000	1	E PLUS SERIES, AND E SERIES PUMPS WITH FUSE HOLDER
L9711200-000	1	A PLUS, C, C PLUS, AND E SERIES PUMPS WITH PC BOARD MOUNTED
L9704700-000	1	SERIES E-DC PUMPS
L9700700-250	1	SERIES MP PUMP-CIRCUIT BREAKER

There is a KOPkit (rebuild kit) available for your pump that includes items 1, 2, 5, 7, 8, 9, 10, and a bleed valve o-ring.

The part number for the KOPkit can be found on your pump data label or you can determine the KOPkit part number from your pump model number by using the fourth, seventh, eighth, ninth and tenth positions for the model string

EXAMPLE:

Model	L	P	H	7	S	A	-	P	T	T	3	-	X	X	X
KOPkit Number				7				P	T	T	3				

= K7PTT3

PTT4 WET END PARTS

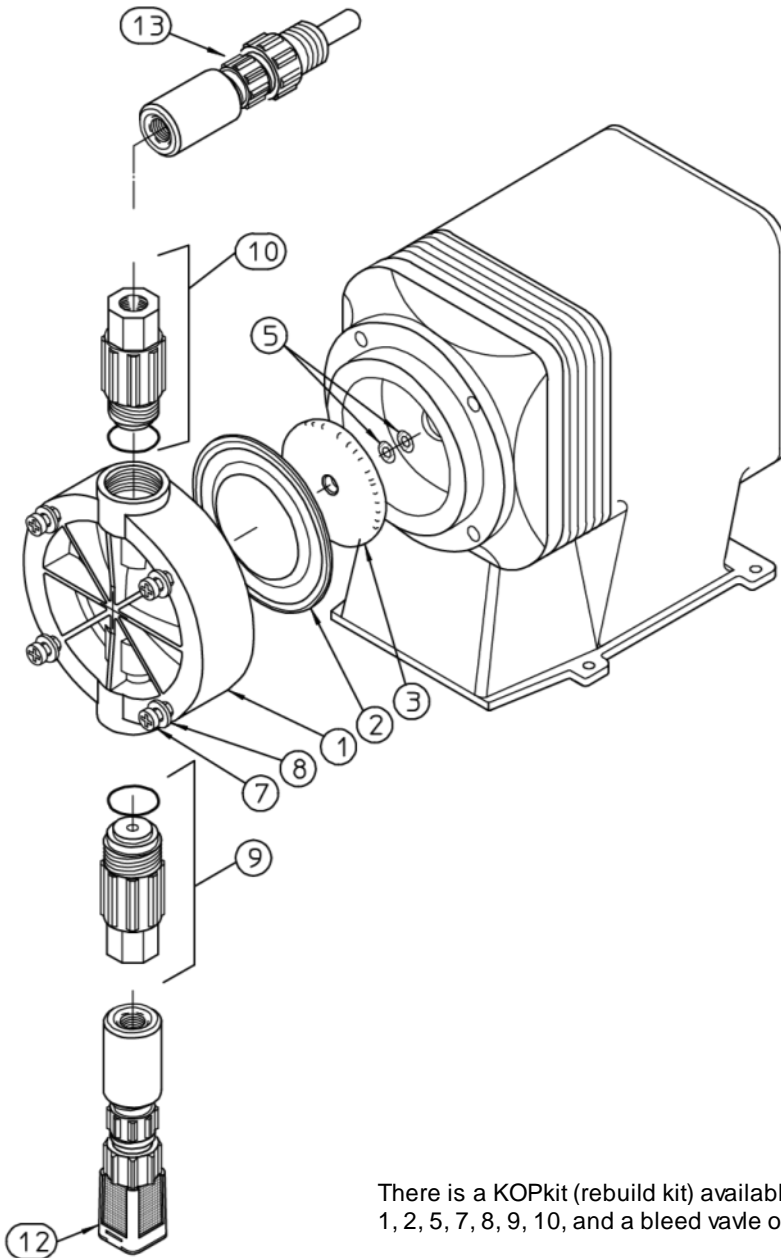
The following part numbers are the pump models with liquid end code PTT4 in the model
EXAMPLE: LPH7SA-PTT4-XXX

Use the fourth digit in the model number from your pump to identify the part numbers below

EXAMPLE MODEL:

Position	1	2	3	4	5	6	-	7	8	9	10	-	11	12	13
Model:	L	P	H	7	S	A	-	P	T	T	4	-	X	X	X

For example the pump head (ITEM #1) for this pump would be:
Part Number: L0200700-FPP



PART NUMBER	QTY	DIGIT IN POSITION NUMBER FOUR OF THE MODEL NUMBER
ITEM NO. 1: PUMP HEAD (FPP)		
L0200400-FPP	1	4
L0200500-FPP	1	5
L0200600-FPP	1	6
L0200700-FPP	1	7
ITEM NO. 2: DIAPHRAGM		
L0301100-THY	1	4
L0301200-THY	1	5
L0301300-THY	1	6
L0301400-THY	1	7
ITEM NO. 3: DEFLECTION PLATE		
L2100400-FPP	1	4
L2100500-FPP	1	5
L2100600-FPP	1	6
L2100700-FPP	1	7
ITEM NO. 5: SHIM (0-2 REQUIRED)		
L9901200-BRS	0-2	ANY DIGIT
ITEM NO. 7 & 8: PUMP HEAD SCREWS AND WASHERS KIT (CONTAINS BOLTS AND WASHERS)		
L3900200-000	1	2,3, OR 4
L3900300-000	1	5, 6 OR 7
ITEM NO. 9: SUCTION VALVE		
L3101TT4-FPP	1	ANY DIGIT
ITEM NO. 10: DISCHARGE VALVE		
L3201TT4-FPP	1	ANY DIGIT
ITEM NO. 11: BLEED VALVE		
NO BLEED VALVE	1	ANY DIGIT
ITEM NO. 12: FOOT VALVE/STRAINER		
J40180	1	ANY DIGIT
ITEM NO. 13: INJECTION VALVE		
J41895	1	ANY DIGIT
REPLACEMENT FUSES		
L9707300-000	1	E PLUS SERIES, AND E SERIES PUMPS WITH FUSE HOLDER
L9711200-000	1	A PLUS, C, C PLUS, AND E SERIES PUMPS WITH PC BOARD MOUNTED
L9704700-000	1	SERIES E-DC PUMPS
L9700700-250	1	SERIES MP PUMP-CIRCUIT BREAKER

There is a KOPkit (rebuild kit) available for your pump that includes items 1, 2, 5, 7, 8, 9, 10, and a bleed valve o-ring.

The part number for the KOPkit can be found on your pump data label or you can determine the KOPkit part number from your pump model number by using the fourth, seventh, eighth, ninth and tenth positions for the model string

EXAMPLE:

Model	L	P	H	7	S	A	-	P	T	T	4	-	X	X	X
KOPkit Number				7				P	T	T	4				

= K7PTT4

PTTB WET END PARTS

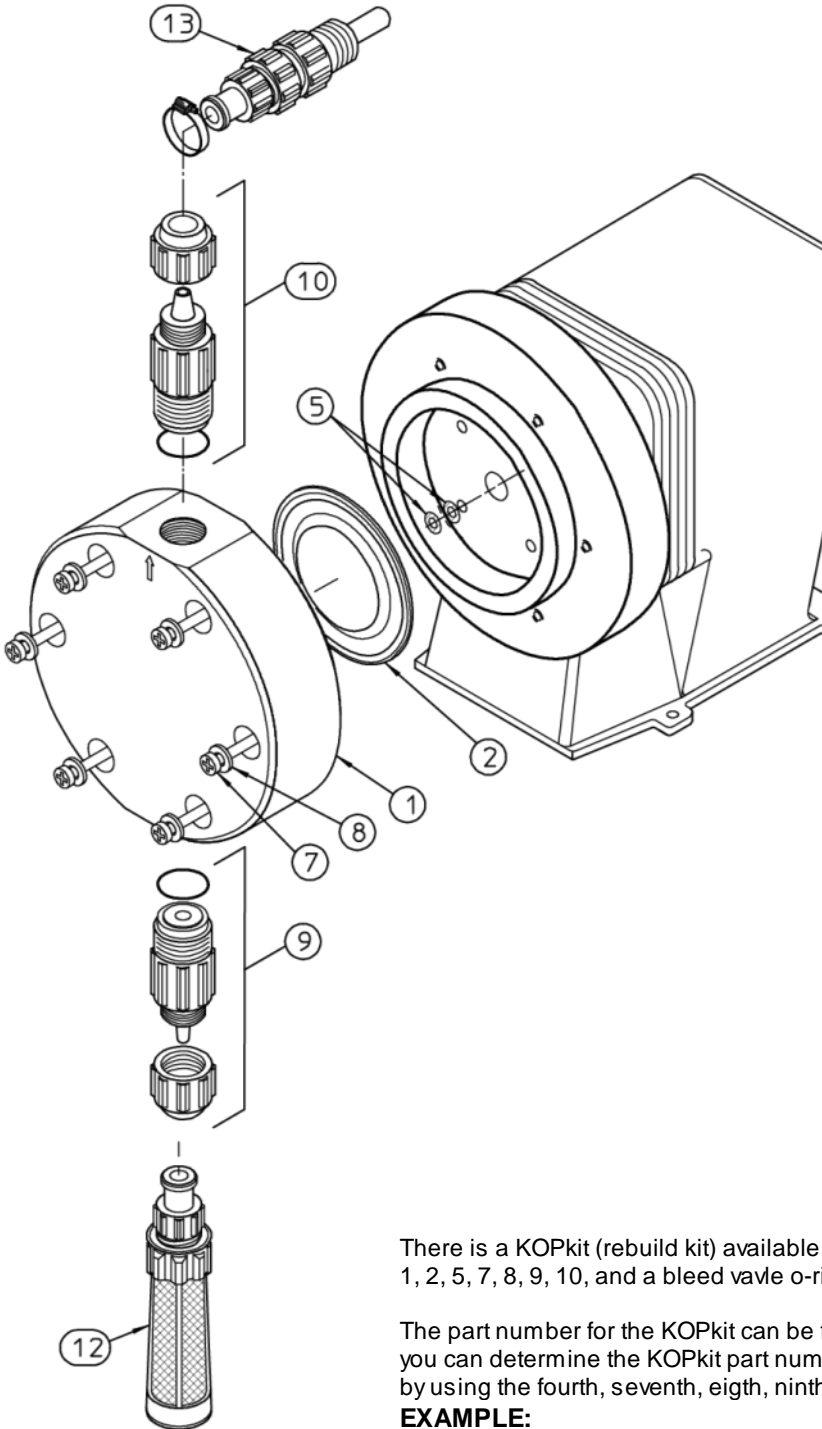
The following part numbers are the pump models with liquid end code PTTB in the model
EXAMPLE: LPH8SA-PTTB-XXX

Use the fourth digit in the model number from your pump to identify the part numbers below

EXAMPLE MODEL:

Position	1	2	3	4	5	6	-	7	8	9	10	-	11	12	13
Model:	L	P	H	8	S	A	-	P	T	T	B	-	X	X	X

For example the pump head (ITEM #1) for this pump would be:
Part Number: L0200800-PPL



PART NUMBER	QTY	DIGIT IN POSITION NUMBER FOUR OF THE MODEL NUMBER
ITEM NO. 1: PUMP HEAD (PPL)		
L0200800-PPL	1	8
ITEM NO. 2: DIAPHRAGM		
L0301600-THY	1	8
ITEM NO. 3: DEFLECTION PLATE		
NOT USED ON THESE MODELS		
ITEM NO. 5: SHIM (0-2 REQUIRED)		
L9901200-BRS	0-2	8
ITEM NO. 7 & 8: PUMP HEAD SCREWS AND WASHERS KIT (CONTAINS BOLTS AND WASHERS)		
L3900400-000	1	8
ITEM NO. 9: SUCTION VALVE		
L3101TCB-FPP	1	8
ITEM NO. 10: DISCHARGE VALVE		
L3201TCB-FPP	1	8
ITEM NO. 11: BLEED VALVE		
NO BLEED VALVE	1	8
ITEM NO. 12: FOOT VALVE/STRAINER		
J60606	1	8
ITEM NO. 13: INJECTION VALVE		
J41973-10P	1	8
REPLACEMENT FUSES		
L9707300-000	1	E PLUS SERIES, AND E SERIES PUMPS WITH FUSE HOLDER
L9700700-250	1	SERIES MP PUMP-CIRCUIT BREAKER

There is a KOPkit (rebuild kit) available for your pump that includes items 1, 2, 5, 7, 8, 9, 10, and a bleed valve o-ring.

The part number for the KOPkit can be found on your pump data label or you can determine the KOPkit part number from your pump model number by using the fourth, seventh, eighth, ninth and tenth positions for the model string

EXAMPLE:

Model	L	P	H	8	S	A	-	P	T	T	B	-	X	X	X
KOPkit Number				8				P	T	T	B				

= K8PTTB

PVC1 WET END PARTS

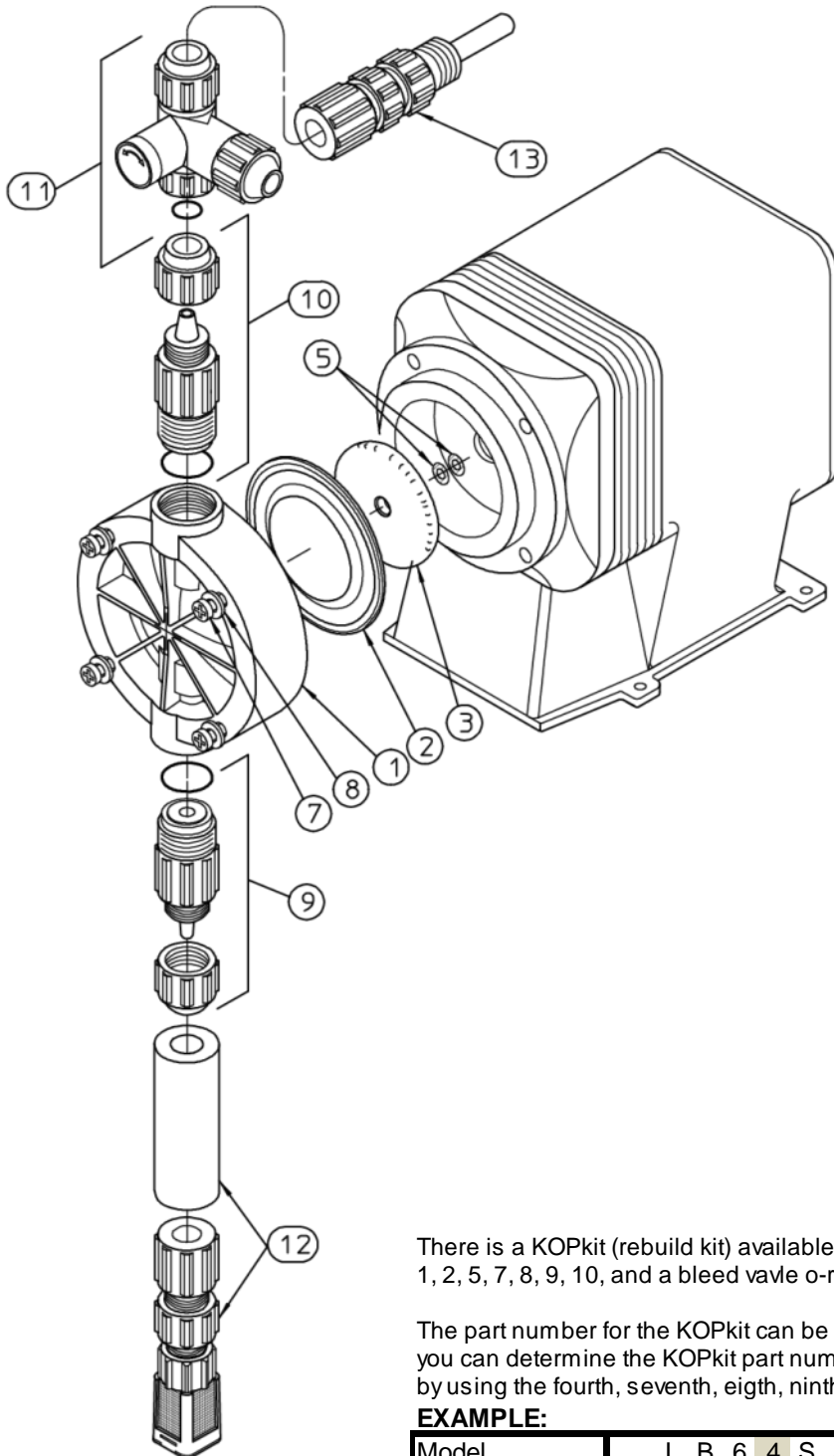
The following part numbers are the pump models with liquid end code PVC1 in the model
EXAMPLE: LB64SA-PVC1-XXX

Use the fourth digit in the model number from your pump to identify the part numbers below

EXAMPLE MODEL:

Position	1	2	3	4	5	6	-	7	8	9	10	-	11	12	13
Model:	L	B	6	4	S	A	-	P	V	C	1	-	X	X	X

**For example the pump head (ITEM #1) for this pump would be:
 Part Number: L0200400-FPP**



PART NUMBER	QTY	DIGIT IN POSITION NUMBER FOUR OF THE MODEL NUMBER
ITEM NO. 1: PUMP HEAD (FPP)		
L0200900-FPP	1	2
L0200300-FPP	1	3
L0200400-FPP	1	4
ITEM NO. 2: DIAPHRAGM		
L0300900-THY	1	2
L0301000-THY	1	3
L0301100-THY	1	4
ITEM NO. 3: DEFLECTION PLATE		
L2100200-FPP	1	2
L2100300-FPP	1	3
L2100400-FPP	1	4
ITEM NO. 5: SHIM (0-2 REQUIRED)		
L9901200-BRS	0-2	ANY DIGIT
ITEM NO. 7 & 8: PUMP HEAD SCREWS AND WASHERS KIT (CONTAINS BOLTS AND WASHERS)		
L3900200-000	1	2,3, OR 4
ITEM NO. 9: SUCTION VALVE		
L3101VC1-FPP	1	ANY DIGIT
ITEM NO. 10: DISCHARGE VALVE		
L3201VC1-FPP	1	ANY DIGIT
ITEM NO. 11: BLEED VALVE		
L3300V01-FPP	1	ANY DIGIT
ITEM NO. 12: FOOT VALVE/STRAINER		
J60524	1	ANY DIGIT
ITEM NO. 13: INJECTION VALVE		
41715	1	ANY DIGIT
REPLACEMENT FUSES		
L9707300-000	1	E PLUS SERIES, AND E SERIES PUMPS WITH FUSE HOLDER
L9711200-000	1	A PLUS, C, C PLUS, AND E SERIES PUMPS WITH PC BOARD MOUNTED
L9704700-000	1	SERIES E-DC PUMPS
L9700700-250	1	SERIES MP PUMP-CIRCUIT BREAKER

There is a KOPkit (rebuild kit) available for your pump that includes items 1, 2, 5, 7, 8, 9, 10, and a bleed valve o-ring.

The part number for the KOPkit can be found on your pump data label or you can determine the KOPkit part number from your pump model number by using the fourth, seventh, eighth, ninth and tenth positions for the model string

EXAMPLE:

Model	L	B	6	4	S	A	-	P	V	C	1	-	X	X	X
KOPkit Number				4				P	V	C	1				

= K4PVC1

PVC2 WET END PARTS

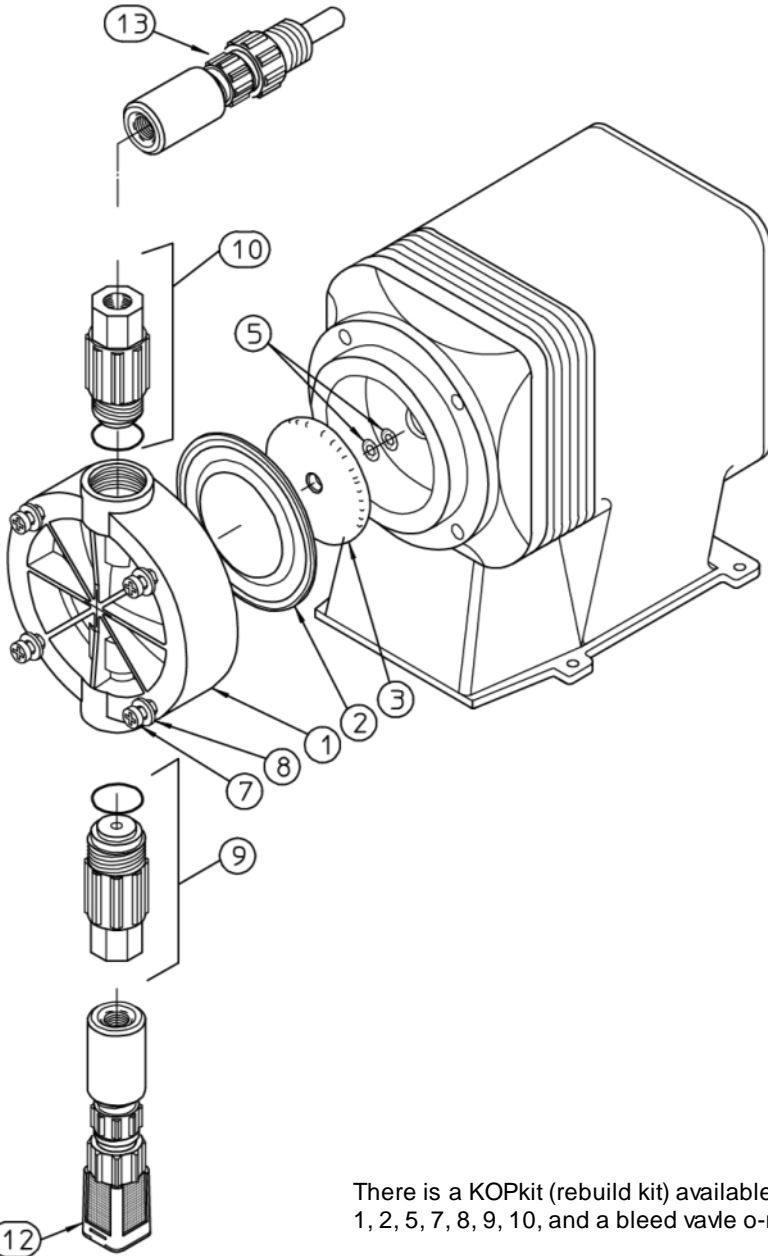
The following part numbers are the pump models with liquid end code PVC2 in the model
EXAMPLE: LB64SA-PVC2-XXX

Use the fourth digit in the model number from your pump to identify the part numbers below

EXAMPLE MODEL:

Position	1	2	3	4	5	6	-	7	8	9	10	-	11	12	13
Model:	L	B	6	4	S	A	-	P	V	C	2	-	X	X	X

For example the pump head (ITEM #1) for this pump would be:
Part Number: L0200400-FPP



PART NUMBER	QTY	DIGIT IN POSITION NUMBER FOUR OF THE MODEL NUMBER
ITEM NO. 1: PUMP HEAD (FPP)		
L0200900-FPP	1	2
L0200300-FPP	1	3
L0200400-FPP	1	4
ITEM NO. 2: DIAPHRAGM		
L0300900-THY	1	2
L0301000-THY	1	3
L0301100-THY	1	4
ITEM NO. 3: DEFLECTION PLATE		
L2100200-FPP	1	2
L2100300-FPP	1	3
L2100400-FPP	1	4
ITEM NO. 5: SHIM (0-2 REQUIRED)		
L9901200-BRS	0-2	ANY DIGIT
ITEM NO. 7 & 8: PUMP HEAD SCREWS AND WASHERS KIT (CONTAINS BOLTS AND WASHERS)		
L3900200-000	1	2,3, OR 4
ITEM NO. 9: SUCTION VALVE		
L3101VC2-FPP	1	ANY DIGIT
ITEM NO. 10: DISCHARGE VALVE		
L3201VC2-FPP	1	ANY DIGIT
ITEM NO. 11: BLEED VALVE		
NO BLEED VALVE	1	ANY DIGIT
ITEM NO. 12: FOOT VALVE/STRAINER		
J40187	1	ANY DIGIT
ITEM NO. 13: INJECTION VALVE		
J41901	1	ANY DIGIT
REPLACEMENT FUSES		
L9707300-000	1	E PLUS SERIES, AND E SERIES PUMPS WITH FUSE HOLDER
L9711200-000	1	A PLUS, C, C PLUS, AND E SERIES PUMPS WITH PC BOARD MOUNTED
L9704700-000	1	SERIES E-DC PUMPS
L9700700-250	1	SERIES MP PUMP-CIRCUIT BREAKER

There is a KOPkit (rebuild kit) available for your pump that includes items 1, 2, 5, 7, 8, 9, 10, and a bleed valve o-ring.

The part number for the KOPkit can be found on your pump data label or you can determine the KOPkit part number from your pump model number by using the fourth, seventh, eighth, ninth and tenth positions for the model string

EXAMPLE:

Model	L	B	6	4	S	A	-	P	V	C	2	-	X	X	X
KOPkit Number				4				P	V	C	2				

= K4PVC2

PVC3 WET END PARTS

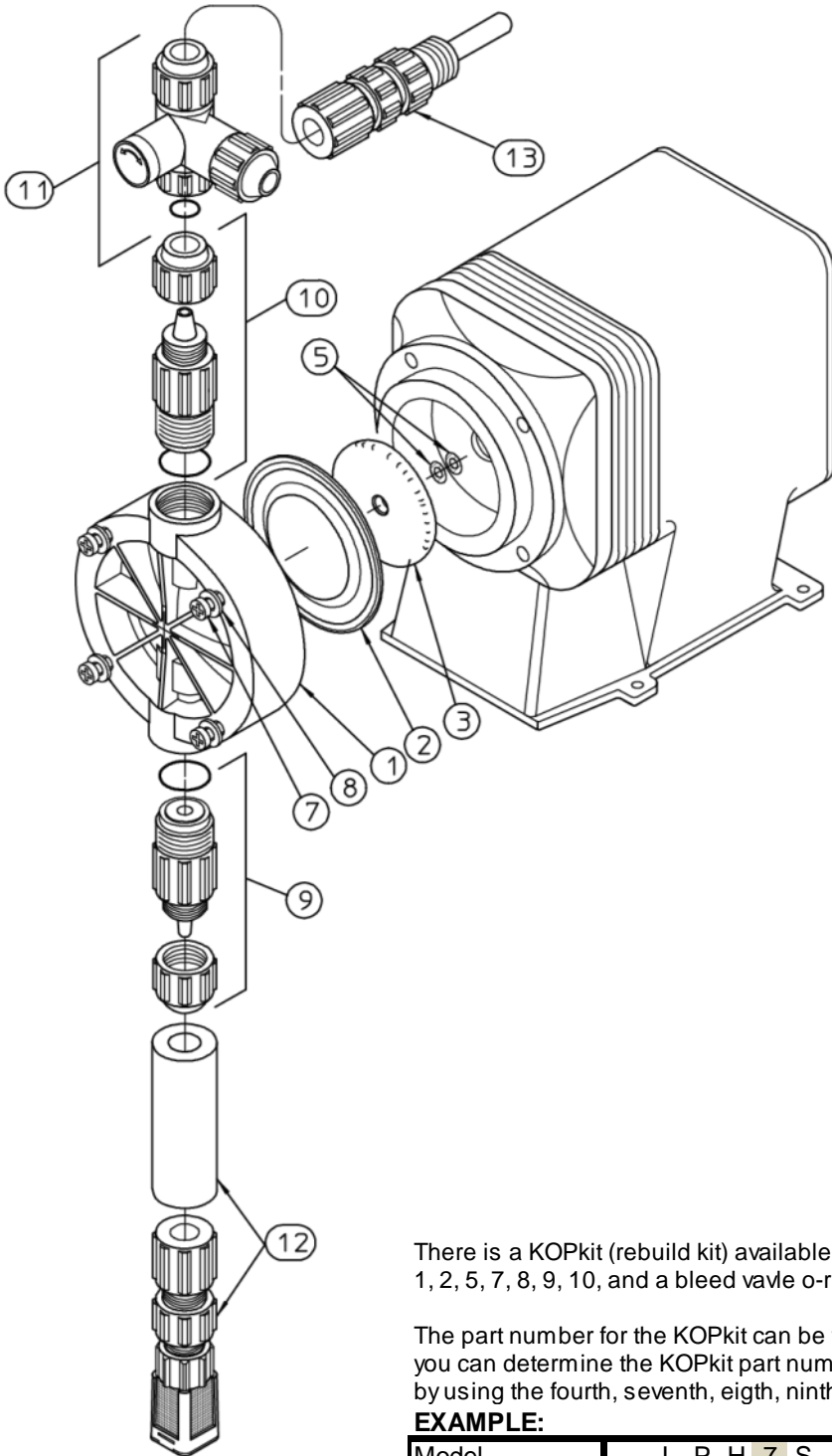
The following part numbers are the pump models with liquid end code PVC3 in the model
EXAMPLE: LPH7SA-PVC3-XXX

Use the fourth digit in the model number from your pump to identify the part numbers below

EXAMPLE MODEL:

Position	1	2	3	4	5	6	-	7	8	9	10	-	11	12	13
Model:	L	P	H	7	S	A	-	P	V	C	3	-	X	X	X

For example the pump head (ITEM #1) for this pump would be:
Part Number: L0200700-FPP



PART NUMBER	QTY	DIGIT IN POSITION NUMBER FOUR OF THE MODEL NUMBER
ITEM NO. 1: PUMP HEAD (FPP)		
L0200400-FPP	1	4
L0200500-FPP	1	5
L0200600-FPP	1	6
L0200700-FPP	1	7
ITEM NO. 2: DIAPHRAGM		
L0301100-THY	1	4
L0301200-THY	1	5
L0301300-THY	1	6
L0301400-THY	1	7
ITEM NO. 3: DEFLECTION PLATE		
L2100400-FPP	1	4
L2100500-FPP	1	5
L2100600-FPP	1	6
L2100700-FPP	1	7
ITEM NO. 5: SHIM (0-2 REQUIRED)		
L9901200-BRS	0-2	ANY DIGIT
ITEM NO. 7 & 8: PUMP HEAD SCREWS AND WASHERS KIT (CONTAINS BOLTS AND WASHERS)		
L3900200-000	1	2,3, OR 4
L3900300-000	1	5, 6 OR 7
ITEM NO. 9: SUCTION VALVE		
L3101V C3-FPP	1	ANY DIGIT
ITEM NO. 10: DISCHARGE VALVE		
L3201V C3-FPP	1	ANY DIGIT
ITEM NO. 11: BLEED VALVE		
L3300V 03-FPP	1	ANY DIGIT
ITEM NO. 12: FOOT VALVE/STRAINER		
J60509	1	ANY DIGIT
ITEM NO. 13: INJECTION VALVE		
41716	1	ANY DIGIT
REPLACEMENT FUSES		
L9707300-000	1	E PLUS SERIES, AND E SERIES PUMPS WITH FUSE HOLDER
L9711200-000	1	A PLUS, C, C PLUS, AND E SERIES PUMPS WITH PC BOARD MOUNTED
L9704700-000	1	SERIES E-DC PUMPS
L9700700-250	1	SERIES MP PUMP-CIRCUIT BREAKER

There is a KOPkit (rebuild kit) available for your pump that includes items 1, 2, 5, 7, 8, 9, 10, and a bleed valve o-ring.

The part number for the KOPkit can be found on your pump data label or you can determine the KOPkit part number from your pump model number by using the fourth, seventh, eighth, ninth and tenth positions for the model string

EXAMPLE:

Model	L	P	H	7	S	A	-	P	V	C	3	-	X	X	X
KOPkit Number				7				P	V	C	3				

= K7PVC3

PVC4 WET END PARTS

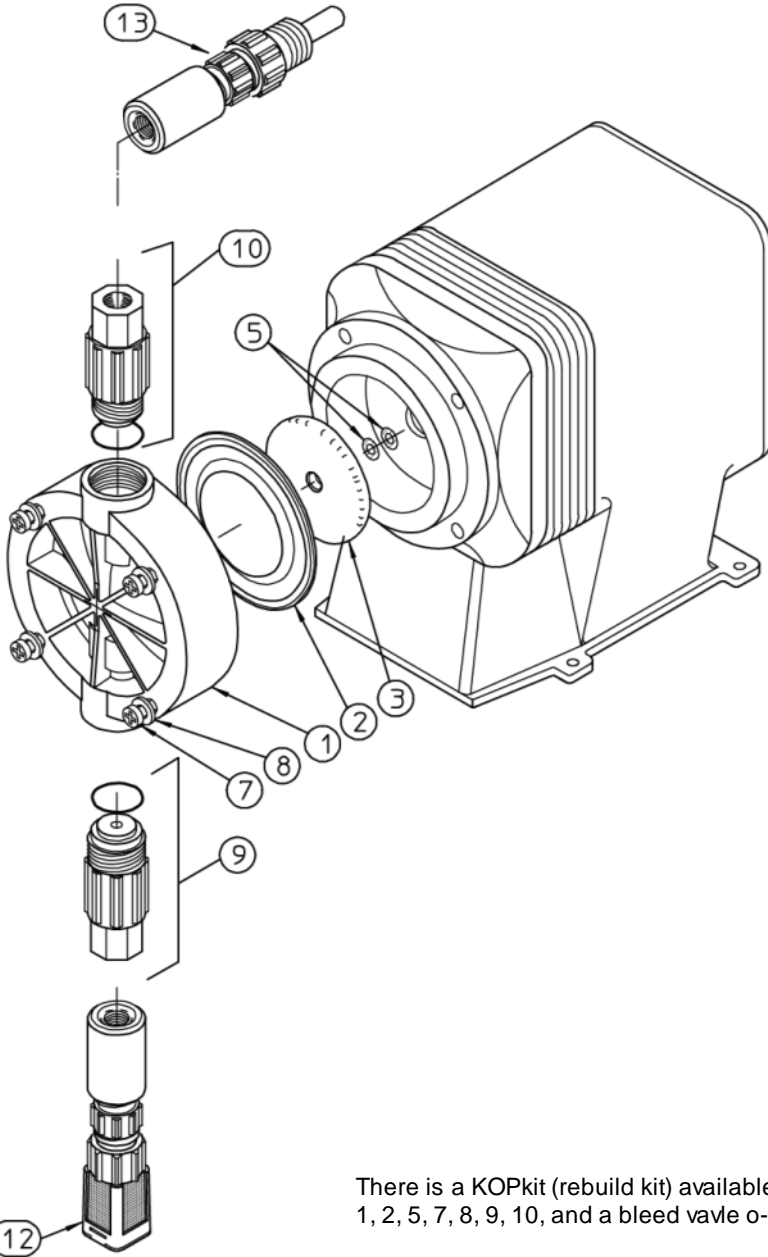
The following part numbers are the pump models with liquid end code PVC4 in the model
EXAMPLE: LPH7SA-PVC4-XXX

Use the fourth digit in the model number from your pump to identify the part numbers below

EXAMPLE MODEL:

Position	1	2	3	4	5	6	-	7	8	9	10	-	11	12	13
Model:	L	P	H	7	S	A	-	P	V	C	4	-	X	X	X

For example the pump head (ITEM #1) for this pump would be:
Part Number: L0200700-FPP



PART NUMBER	QTY	DIGIT IN POSITION NUMBER FOUR OF THE MODEL NUMBER
ITEM NO. 1: PUMP HEAD (FPP)		
L0200400-FPP	1	4
L0200500-FPP	1	5
L0200600-FPP	1	6
L0200700-FPP	1	7
ITEM NO. 2: DIAPHRAGM		
L0301100-THY	1	4
L0301200-THY	1	5
L0301300-THY	1	6
L0301400-THY	1	7
ITEM NO. 3: DEFLECTION PLATE		
L2100400-FPP	1	4
L2100500-FPP	1	5
L2100600-FPP	1	6
L2100700-FPP	1	7
ITEM NO. 5: SHIM (0-2 REQUIRED)		
L9901200-BRS	0-2	ANY DIGIT
ITEM NO. 7 & 8: PUMP HEAD SCREWS AND WASHERS KIT (CONTAINS BOLTS AND WASHERS)		
L3900200-000	1	2,3, OR 4
L3900300-000	1	5, 6 OR 7
ITEM NO. 9: SUCTION VALVE		
L3101VC4-FPP	1	ANY DIGIT
ITEM NO. 10: DISCHARGE VALVE		
L3201VC4-FPP	1	ANY DIGIT
ITEM NO. 11: BLEED VALVE		
NO BLEED VALVE	1	ANY DIGIT
ITEM NO. 12: FOOT VALVE/STRAINER		
J40187	1	ANY DIGIT
ITEM NO. 13: INJECTION VALVE		
J41901	1	ANY DIGIT
REPLACEMENT FUSES		
L9707300-000	1	E PLUS SERIES, AND E SERIES PUMPS WITH FUSE HOLDER
L9711200-000	1	A PLUS, C, C PLUS, AND E SERIES PUMPS WITH PC BOARD MOUNTED
L9704700-000	1	SERIES E-DC PUMPS
L9700700-250	1	SERIES MP PUMP-CIRCUIT BREAKER

There is a KOPkit (rebuild kit) available for your pump that includes items 1, 2, 5, 7, 8, 9, 10, and a bleed valve o-ring.

The part number for the KOPkit can be found on your pump data label or you can determine the KOPkit part number from your pump model number by using the fourth, seventh, eighth, ninth and tenth positions for the model string

EXAMPLE:

Model	L	P	H	7	S	A	-	P	V	C	4	-	X	X	X
KOPkit Number				7				P	V	C	4				

= K7PVC4

PVCB WET END PARTS

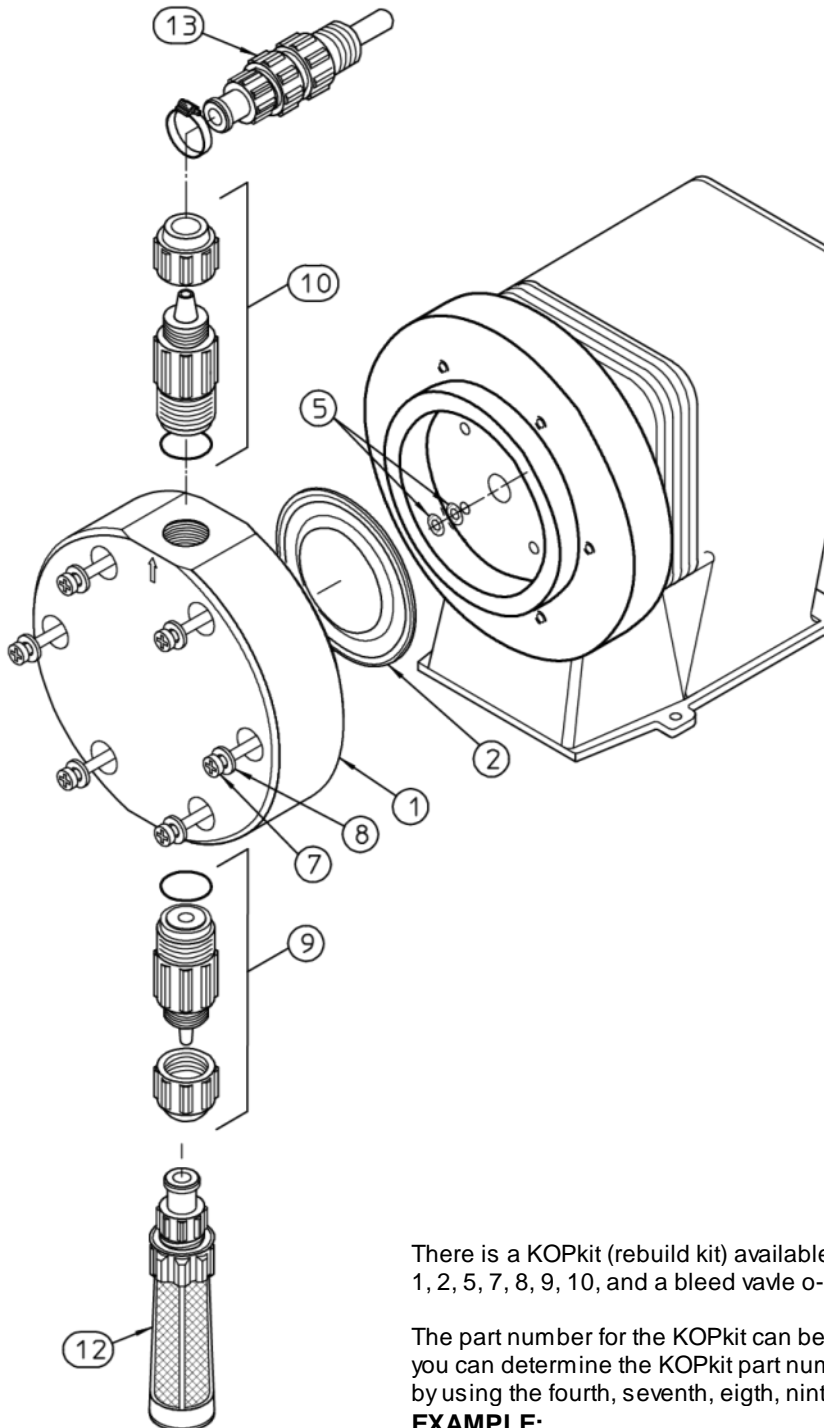
The following part numbers are the pump models with liquid end code PVCB in the model
EXAMPLE: LPH8SA-PVCB-XXX

Use the fourth digit in the model number from your pump to identify the part numbers below

EXAMPLE MODEL:

Position	1	2	3	4	5	6	-	7	8	9	10	-	11	12	13
Model:	L	P	H	8	S	A	-	P	V	C	B	-	X	X	X

For example the pump head (ITEM #1) for this pump would be:
Part Number: L0200800-PPL



PART NUMBER	QTY	DIGIT IN POSITION NUMBER FOUR OF THE MODEL NUMBER	
ITEM NO. 1: PUMP HEAD (PPL)			
L0200800-PPL	1	8	
ITEM NO. 2: DIAPHRAGM			
L0301600-THY	1	8	
ITEM NO. 3: DEFLECTION PLATE			
NOT USED ON THESE MODELS			
ITEM NO. 5: SHIM (0-2 REQUIRED)			
L9901200-BRS	0-2	8	
ITEM NO. 7 & 8: PUMP HEAD SCREWS AND WASHERS KIT (CONTAINS BOLTS AND WASHERS)			
L3900400-000	1	8	
ITEM NO. 9: SUCTION VALVE			
L3101VCB-FPP	1	8	
ITEM NO. 10: DISCHARGE VALVE			
L3201VCB-FPP	1	8	
ITEM NO. 11: BLEED VALVE			
NO BLEED VLAVE	1	8	
ITEM NO. 12: FOOT VALVE/STRAINER			
J60606	1	8	
ITEM NO. 13: INJECTION VALVE			
J61153-10P	1	8	
REPLACEMENT FUSES			
L9707300-000	1	E PLUS SERIES, AND E SERIES PUMPS WITH FUSE HOLDER	
L9700700-250	1	SERIES MP PUMP-CIRCUIT BREAKER	

There is a KOPkit (rebuild kit) available for your pump that includes items 1, 2, 5, 7, 8, 9, 10, and a bleed valve o-ring.

The part number for the KOPkit can be found on your pump data label or you can determine the KOPkit part number from your pump model number by using the fourth, seventh, eighth, ninth and tenth positions for the model string

EXAMPLE:

Model	L	P	H	8	S	A	-	P	V	C	B	-	X	X	X
KOPkit Number				8				P	V	C	B				

= K8PVCB

VHC1 WET END PARTS

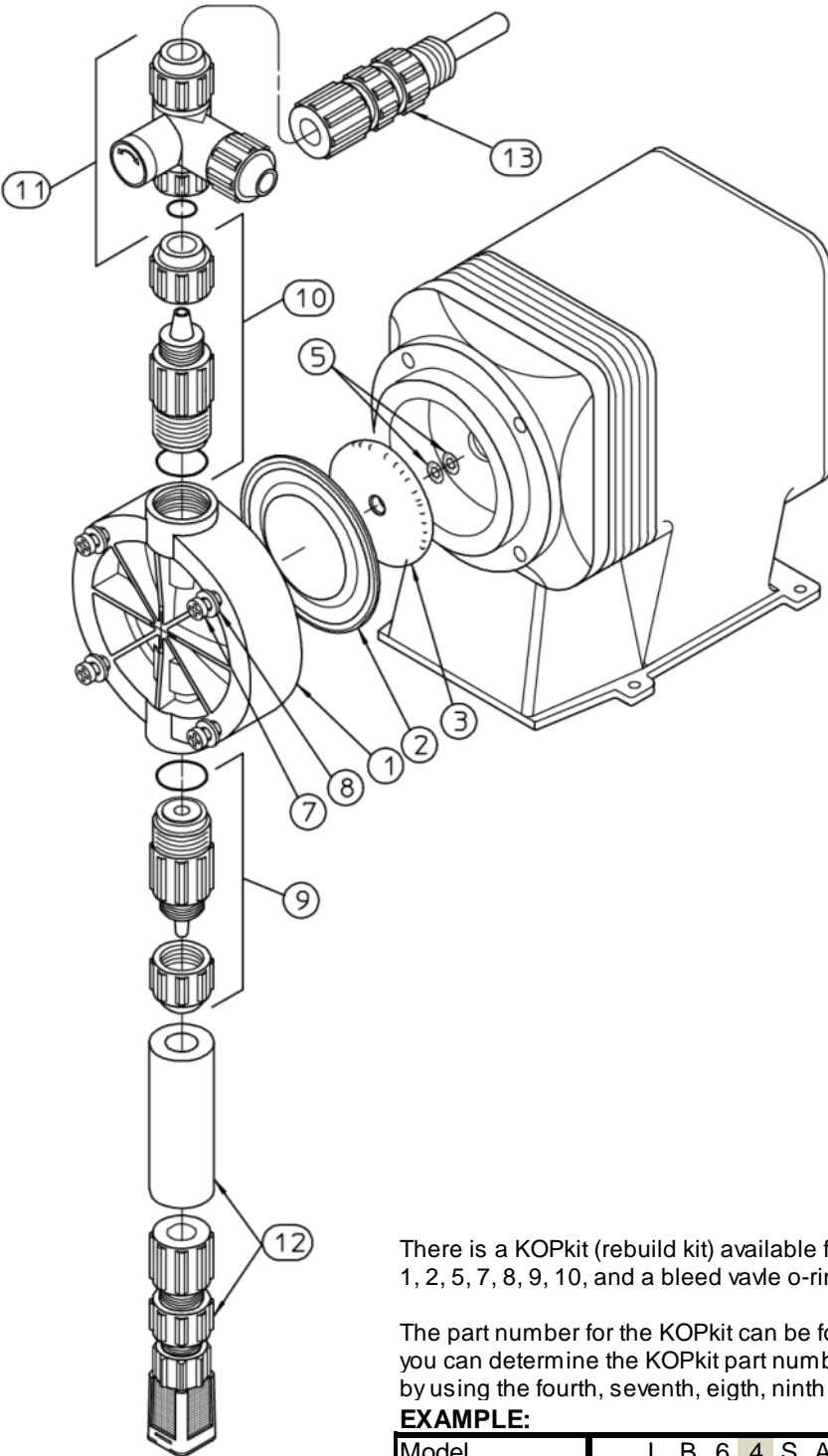
The following part numbers are the pump models with liquid end code VHC1 in the model
EXAMPLE: LB64SA-VHC1-XXX

Use the fourth digit in the model number from your pump to identify the part numbers below

EXAMPLE MODEL:

Position	1	2	3	4	5	6	-	7	8	9	10	-	11	12	13
Model:	L	B	6	4	S	A	-	V	H	C	1	-	X	X	X

For example the pump head (ITEM #1) for this pump would be:
Part Number: L0200400-PVC



PART NUMBER	QTY	DIGIT IN POSITION NUMBER FOUR OF THE MODEL NUMBER
ITEM NO. 1: PUMP HEAD (PVC)		
L0200900-PVC	1	2
L0200300-PVC	1	3
L0200400-PVC	1	4
ITEM NO. 2: DIAPHRAGM		
L0300900-THY	1	2
L0301000-THY	1	3
L0301100-THY	1	4
ITEM NO. 3: DEFLECTION PLATE		
L2100200-FPP	1	2
L2100300-FPP	1	3
L2100400-FPP	1	4
ITEM NO. 5: SHIM (0-2 REQUIRED)		
L9901200-BRS	0-2	ANY DIGIT
ITEM NO. 7 & 8: PUMP HEAD SCREWS AND WASHERS KIT (CONTAINS BOLTS AND WASHERS)		
L3900200-000	1	2,3, OR 4
ITEM NO. 9: SUCTION VALVE		
L3101HC1-PVC	1	ANY DIGIT
ITEM NO. 10: DISCHARGE VALVE		
L3201HC1-PVC	1	ANY DIGIT
ITEM NO. 11: BLEED VALVE		
L3300H01-PVC	1	ANY DIGIT
ITEM NO. 12: FOOT VALVE/STRAINER		
J60717	1	ANY DIGIT
ITEM NO. 13: INJECTION VALVE		
41693	1	ANY DIGIT
REPLACEMENT FUSES		
L9707300-000	1	E PLUS SERIES, AND E SERIES PUMPS WITH FUSE HOLDER
L9711200-000	1	A PLUS, C, C PLUS, AND E SERIES PUMPS WITH PC BOARD MOUNTED
L9704700-000	1	SERIES E-DC PUMPS
L9700700-250	1	SERIES MP PUMP-CIRCUIT BREAKER

There is a KOPkit (rebuild kit) available for your pump that includes items 1, 2, 5, 7, 8, 9, 10, and a bleed valve o-ring.

The part number for the KOPkit can be found on your pump data label or you can determine the KOPkit part number from your pump model number by using the fourth, seventh, eighth, ninth and tenth positions for the model string

EXAMPLE:

Model	L	B	6	4	S	A	-	V	H	C	1	-	X	X	X
KOPkit Number				4				V	H	C	1				

= K4VHC1

VHC2 WET END PARTS

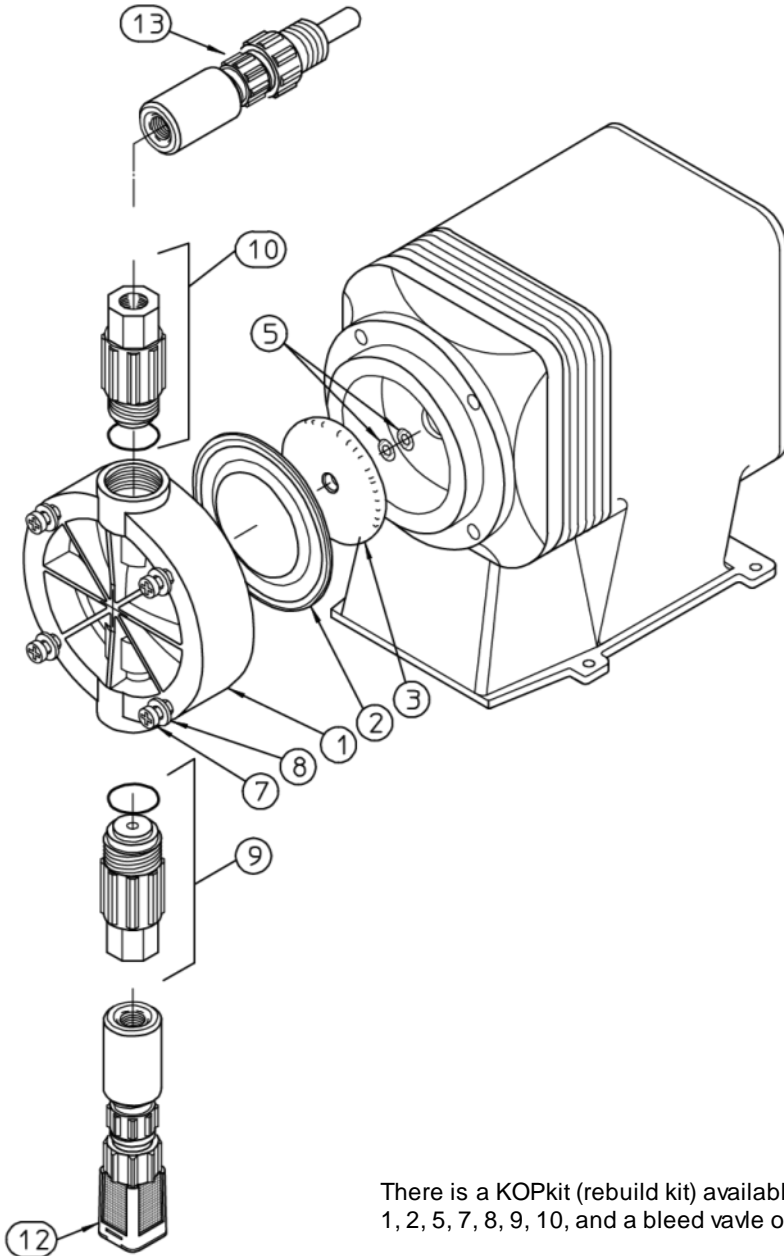
The following part numbers are the pump models with liquid end code VHC2 in the model
EXAMPLE: LB64SA-VHC2-XXX

Use the fourth digit in the model number from your pump to identify the part numbers below

EXAMPLE MODEL:

Position	1	2	3	4	5	6	-	7	8	9	10	-	11	12	13
Model:	L	B	6	4	S	A	-	V	H	C	2	-	X	X	X

For example the pump head (ITEM #1) for this pump would be:
Part Number: L0200400-PVC



PART NUMBER	QTY	DIGIT IN POSITION NUMBER FOUR OF THE MODEL NUMBER
ITEM NO. 1: PUMP HEAD (PVC)		
L0200900-PVC	1	2
L0200300-PVC	1	3
L0200400-PVC	1	4
ITEM NO. 2: DIAPHRAGM		
L0300900-THY	1	2
L0301000-THY	1	3
L0301100-THY	1	4
ITEM NO. 3: DEFLECTION PLATE		
L2100200-FPP	1	2
L2100300-FPP	1	3
L2100400-FPP	1	4
ITEM NO. 5: SHIM (0-2 REQUIRED)		
L9901200-BRS	0-2	ANY DIGIT
ITEM NO. 7 & 8: PUMP HEAD SCREWS AND WASHERS KIT (CONTAINS BOLTS AND WASHERS)		
L3900200-000	1	2,3, OR 4
ITEM NO. 9: SUCTION VALVE		
L3101HC2-PVC	1	ANY DIGIT
ITEM NO. 10: DISCHARGE VALVE		
L3201HC2-PVC	1	ANY DIGIT
ITEM NO. 11: BLEED VALVE		
NO BLEED VALVE	1	ANY DIGIT
ITEM NO. 12: FOOT VALVE/STRAINER		
J60701	1	ANY DIGIT
ITEM NO. 13: INJECTION VALVE		
J41911	1	ANY DIGIT
REPLACEMENT FUSES		
L9707300-000	1	E PLUS SERIES, AND E SERIES PUMPS WITH FUSE HOLDER
L9711200-000	1	A PLUS, C, C PLUS, AND E SERIES PUMPS WITH PC BOARD MOUNTED
L9704700-000	1	SERIES E-DC PUMPS
L9700700-250	1	SERIES MP PUMP-CIRCUIT BREAKER

There is a KOPkit (rebuild kit) available for your pump that includes items 1, 2, 5, 7, 8, 9, 10, and a bleed valve o-ring.

The part number for the KOPkit can be found on your pump data label or you can determine the KOPkit part number from your pump model number by using the fourth, seventh, eighth, ninth and tenth positions for the model string

EXAMPLE:

Model	L	B	6	4	S	A	-	V	H	C	2	-	X	X	X
KOPkit Number				4				V	H	C	2				

= K4VHC2

VHC3 WET END PARTS

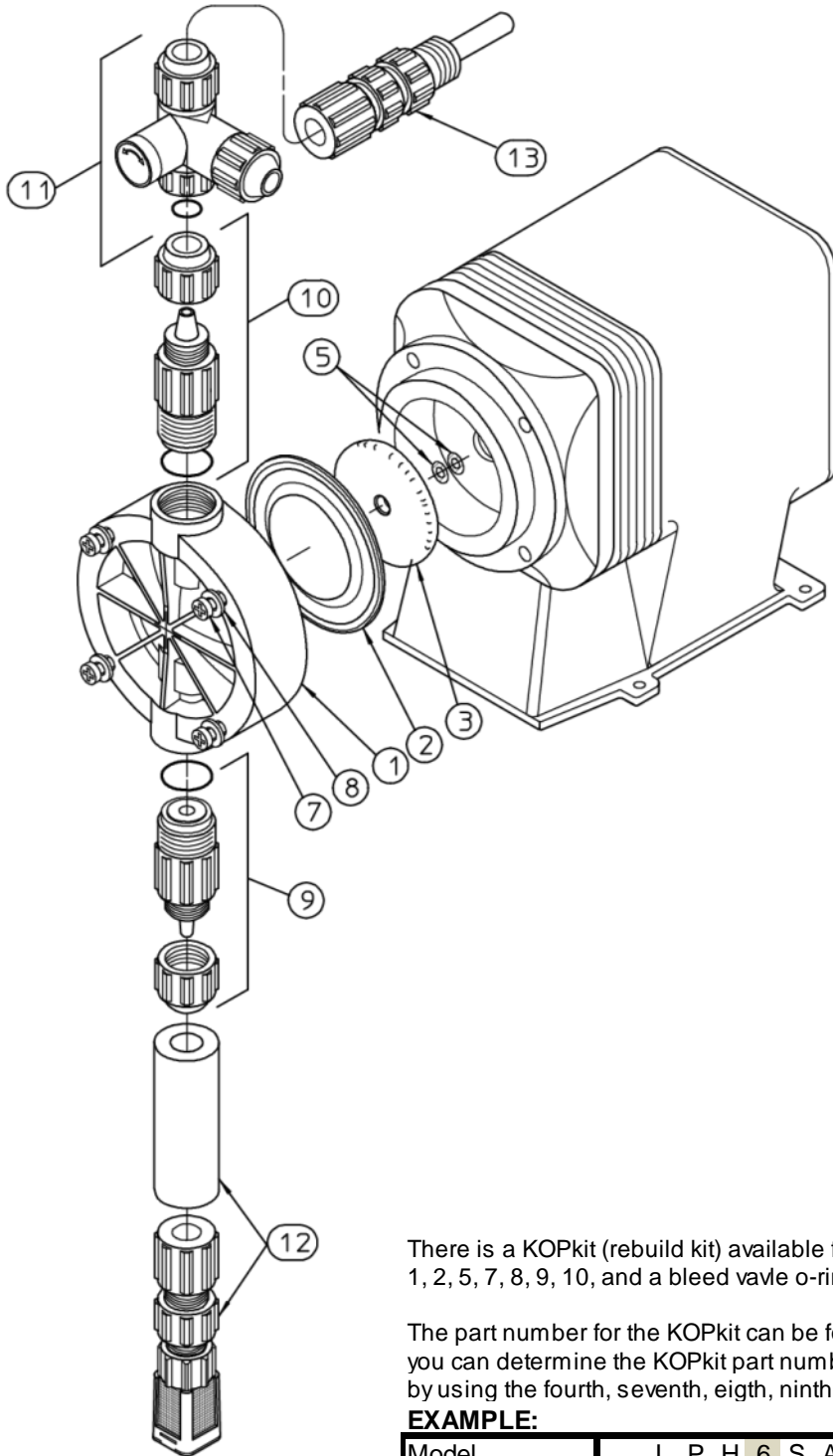
The following part numbers are the pump models with liquid end code VHC3 in the model
EXAMPLE: LPH7SA-VHC3-XXX

Use the fourth digit in the model number from your pump to identify the part numbers below

EXAMPLE MODEL:

Position	1	2	3	4	5	6	-	7	8	9	10	-	11	12	13
Model:	L	P	H	6	S	A	-	V	H	C	3	-	X	X	X

For example the pump head (ITEM #1) for this pump would be:
Part Number: L0200600-PVC



PART NUMBER	QTY	DIGIT IN POSITION NUMBER FOUR OF THE MODEL NUMBER
ITEM NO. 1: PUMP HEAD (PVC)		
L0200400-PVC	1	4
L0200500-PVC	1	5
L0200600-PVC	1	6
ITEM NO. 2: DIAPHRAGM		
L0301100-THY	1	4
L0301200-THY	1	5
L0301300-THY	1	6
ITEM NO. 3: DEFLECTION PLATE		
L2100400-FPP	1	4
L2100500-FPP	1	5
L2100600-FPP	1	6
ITEM NO. 5: SHIM (0-2 REQUIRED)		
L9901200-BRS	0-2	ANY DIGIT
ITEM NO. 7 & 8: PUMP HEAD SCREWS AND WASHERS KIT (CONTAINS BOLTS AND WASHERS)		
L3900200-000	1	2,3, OR 4
L3900300-000	1	5, 6 OR 7
ITEM NO. 9: SUCTION VALVE		
L3101HC3-PVC	1	ANY DIGIT
ITEM NO. 10: DISCHARGE VALVE		
L3201HC3-PVC	1	ANY DIGIT
ITEM NO. 11: BLEED VALVE		
L3300H03-PVC	1	ANY DIGIT
ITEM NO. 12: FOOT VALVE/STRAINER		
J60729	1	ANY DIGIT
ITEM NO. 13: INJECTION VALVE		
J41694	1	ANY DIGIT
REPLACEMENT FUSES		
L9707300-000	1	E PLUS SERIES, AND E SERIES PUMPS WITH FUSE HOLDER
L9711200-000	1	A PLUS, C, C PLUS, AND E SERIES PUMPS WITH PC BOARD MOUNTED
L9704700-000	1	SERIES E-DC PUMPS
L9700700-250	1	SERIES MP PUMP-CIRCUIT BREAKER

There is a KOPkit (rebuild kit) available for your pump that includes items 1, 2, 5, 7, 8, 9, 10, and a bleed valve o-ring.

The part number for the KOPkit can be found on your pump data label or you can determine the KOPkit part number from your pump model number by using the fourth, seventh, eighth, ninth and tenth positions for the model string

EXAMPLE:

Model	L	P	H	6	S	A	-	V	H	C	3	-	X	X	X
KOPkit Number				6				V	H	C	3				

= K6VHC3

VHC4 WET END PARTS

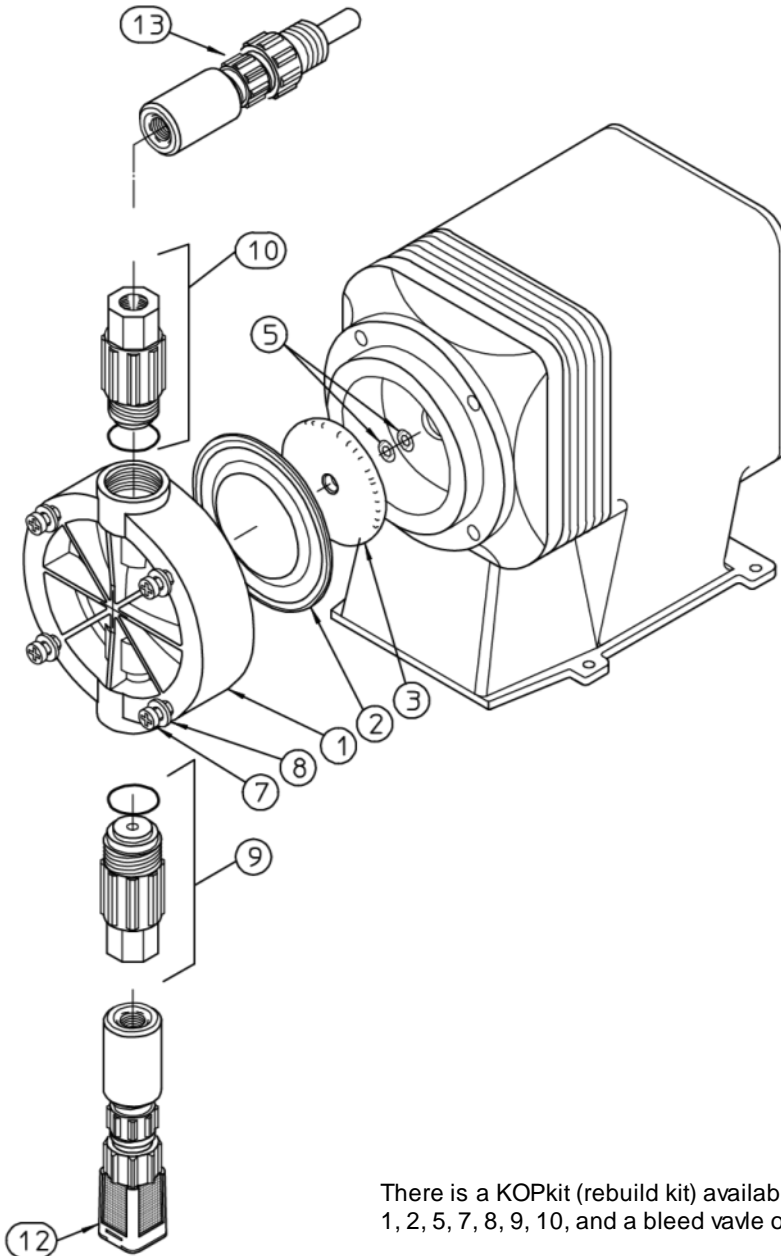
The following part numbers are the pump models with liquid end code VHC4 in the model
EXAMPLE: LPH6SA-VHC4-XXX

Use the fourth digit in the model number from your pump to identify the part numbers below

EXAMPLE MODEL:

Position	1	2	3	4	5	6	-	7	8	9	10	-	11	12	13
Model:	L	P	H	6	S	A	-	V	H	C	4	-	X	X	X

For example the pump head (ITEM #1) for this pump would be:
Part Number: L0200600-PVC



PART NUMBER	QTY	DIGIT IN POSITION NUMBER FOUR OF THE MODEL NUMBER
ITEM NO. 1: PUMP HEAD (PVC)		
L0200400-PVC	1	4
L0200500-PVC	1	5
L0200600-PVC	1	6
ITEM NO. 2: DIAPHRAGM		
L0301100-THY	1	4
L0301200-THY	1	5
L0301300-THY	1	6
ITEM NO. 3: DEFLECTION PLATE		
L2100400-FPP	1	4
L2100500-FPP	1	5
L2100600-FPP	1	6
ITEM NO. 5: SHIM (0-2 REQUIRED)		
L9901200-BRS	0-2	ANY DIGIT
ITEM NO. 7 & 8: PUMP HEAD SCREWS AND WASHERS KIT (CONTAINS BOLTS AND WASHERS)		
L3900200-000	1	2,3, OR 4
L3900300-000	1	5, 6 OR 7
ITEM NO. 9: SUCTION VALVE		
L3101HC4-PVC	1	ANY DIGIT
ITEM NO. 10: DISCHARGE VALVE		
L3201HC4-PVC	1	ANY DIGIT
ITEM NO. 11: BLEED VALVE		
NO BLEED VALVE	1	ANY DIGIT
ITEM NO. 12: FOOT VALVE/STRAINER		
J60701	1	ANY DIGIT
ITEM NO. 13: INJECTION VALVE		
J41904	1	ANY DIGIT
REPLACEMENT FUSES		
L9707300-000	1	E PLUS SERIES, AND E SERIES PUMPS WITH FUSE HOLDER
L9711200-000	1	A PLUS, C, C PLUS, AND E SERIES PUMPS WITH PC BOARD MOUNTED
L9704700-000	1	SERIES E-DC PUMPS
L9700700-250	1	SERIES MP PUMP-CIRCUIT BREAKER

There is a KOPkit (rebuild kit) available for your pump that includes items 1, 2, 5, 7, 8, 9, 10, and a bleed valve o-ring.

The part number for the KOPkit can be found on your pump data label or you can determine the KOPkit part number from your pump model number by using the fourth, seventh, eighth, ninth and tenth positions for the model string

EXAMPLE:

Model	L	P	H	6	S	A	-	V	H	C	4	-	X	X	X
KOPkit Number				6				V	H	C	4				

= **K6VHC4**

VTC1 WET END PARTS

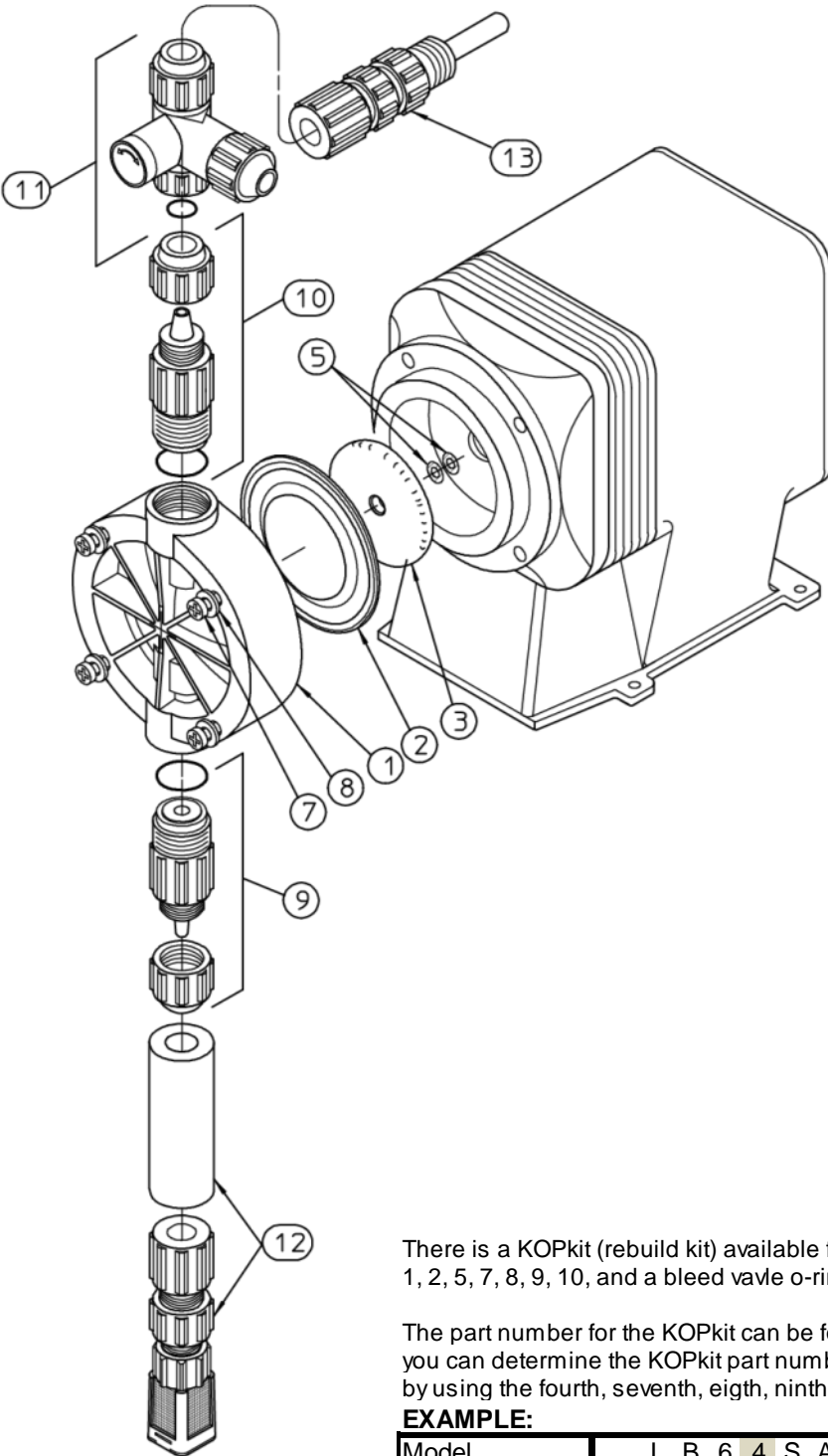
The following part numbers are the pump models with liquid end code VTC1 in the model
EXAMPLE: LB64SA-VTC1-XXX

Use the fourth digit in the model number from your pump to identify the part numbers below

EXAMPLE MODEL:

Position	1	2	3	4	5	6	-	7	8	9	10	-	11	12	13
Model:	L	B	6	4	S	A	-	V	T	C	1	-	X	X	X

For example the pump head (ITEM #1) for this pump would be:
Part Number: L0200400-PVC



PART NUMBER	QTY	DIGIT IN POSITION NUMBER FOUR OF THE MODEL NUMBER
ITEM NO. 1: PUMP HEAD (PVC)		
L0200900-PVC	1	2
L0200300-PVC	1	3
L0200400-PVC	1	4
ITEM NO. 2: DIAPHRAGM		
L0300900-THY	1	2
L0301000-THY	1	3
L0301100-THY	1	4
ITEM NO. 3: DEFLECTION PLATE		
L2100200-FPP	1	2
L2100300-FPP	1	3
L2100400-FPP	1	4
ITEM NO. 5: SHIM (0-2 REQUIRED)		
L9901200-BRS	0-2	ANY DIGIT
ITEM NO. 7 & 8: PUMP HEAD SCREWS AND WASHERS KIT (CONTAINS BOLTS AND WASHERS)		
L3900200-000	1	2,3, OR 4
ITEM NO. 9: SUCTION VALVE		
L3101TC1-PVC	1	ANY DIGIT
ITEM NO. 10: DISCHARGE VALVE		
L3201TC1-PVC	1	ANY DIGIT
ITEM NO. 11: BLEED VALVE		
L3300T01-PVC	1	ANY DIGIT
ITEM NO. 12: FOOT VALVE/STRAINER		
J60716	1	ANY DIGIT
ITEM NO. 13: INJECTION VALVE		
J41996	1	ANY DIGIT
REPLACEMENT FUSES		
L9707300-000	1	E PLUS SERIES, AND E SERIES PUMPS WITH FUSE HOLDER
L9711200-000	1	A PLUS, C, C PLUS, AND E SERIES PUMPS WITH PC BOARD MOUNTED
L9704700-000	1	SERIES E-DC PUMPS
L9700700-250	1	SERIES MP PUMP-CIRCUIT BREAKER

There is a KOPkit (rebuild kit) available for your pump that includes items 1, 2, 5, 7, 8, 9, 10, and a bleed valve o-ring.

The part number for the KOPkit can be found on your pump data label or you can determine the KOPkit part number from your pump model number by using the fourth, seventh, eighth, ninth and tenth positions for the model string

EXAMPLE:

Model	L	B	6	4	S	A	-	V	T	C	1	-	X	X	X
KOPkit Number				4				V	T	C	1				

= K4VTC1

VTC2 WET END PARTS

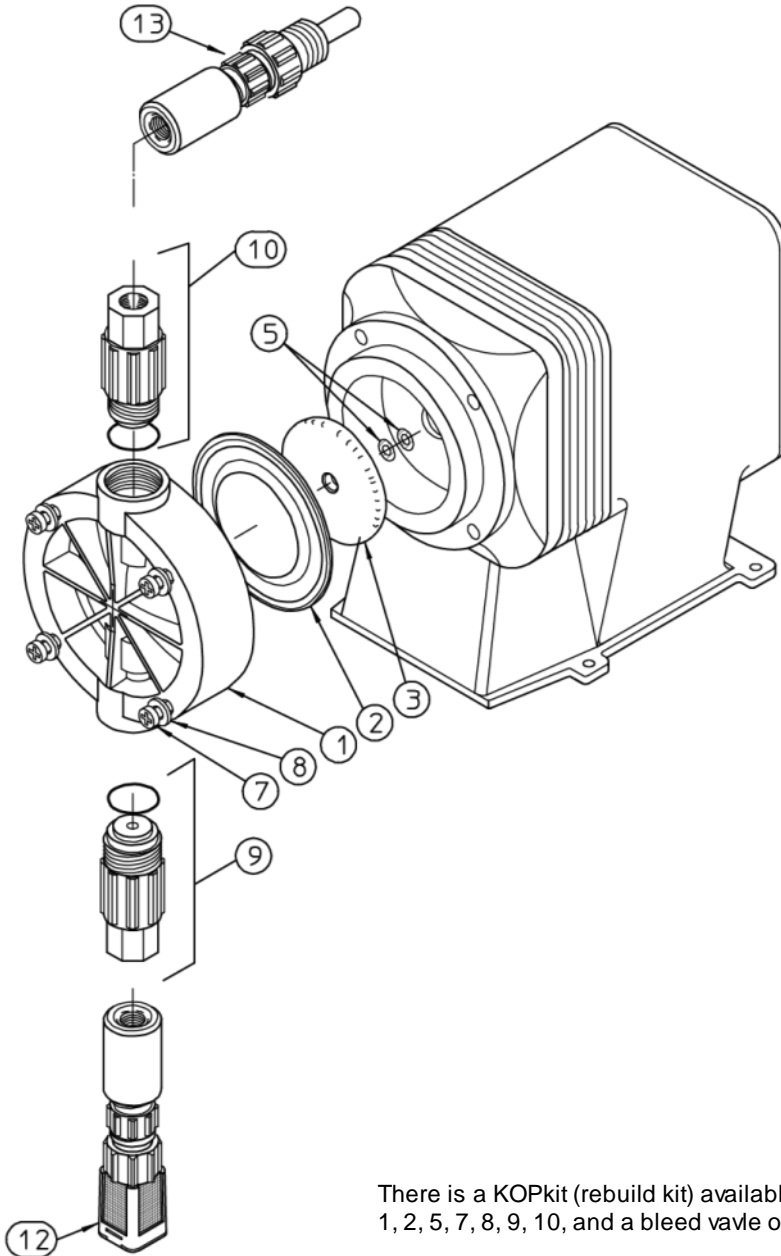
The following part numbers are the pump models with liquid end code VTC2 in the model
EXAMPLE: LB64SA-VTC2-XXX

Use the fourth digit in the model number from your pump to identify the part numbers below

EXAMPLE MODEL:

Position	1	2	3	4	5	6	-	7	8	9	10	-	11	12	13
Model:	L	B	6	4	S	A	-	V	T	C	2	-	X	X	X

For example the pump head (ITEM #1) for this pump would be:
Part Number: L0200400-PVC



PART NUMBER	QTY	DIGIT IN POSITION NUMBER FOUR OF THE MODEL NUMBER	
ITEM NO. 1: PUMP HEAD (PVC)			
L0200900-PVC	1		2
L0200300-PVC	1		3
L0200400-PVC	1		4
ITEM NO. 2: DIAPHRAGM			
L0300900-THY	1		2
L0301000-THY	1		3
L0301100-THY	1		4
ITEM NO. 3: DEFLECTION PLATE			
L2100200-FPP	1		2
L2100300-FPP	1		3
L2100400-FPP	1		4
ITEM NO. 5: SHIM (0-2 REQUIRED)			
L9901200-BRS	0-2		ANY DIGIT
ITEM NO. 7 & 8: PUMP HEAD SCREWS AND WASHERS KIT (CONTAINS BOLTS AND WASHERS)			
L3900200-000	1		2,3, OR 4
ITEM NO. 9: SUCTION VALVE			
L3101TC2-PVC	1		ANY DIGIT
ITEM NO. 10: DISCHARGE VALVE			
L3201TC2-PVC	1		ANY DIGIT
ITEM NO. 11: BLEED VALVE			
NO BLEED VALVE	1		ANY DIGIT
ITEM NO. 12: FOOT VALVE/STRAINER			
J60700	1		ANY DIGIT
ITEM NO. 13: INJECTION VALVE			
J41908	1		ANY DIGIT
REPLACEMENT FUSES			
L9707300-000	1	E PLUS SERIES, AND E SERIES PUMPS WITH FUSE HOLDER	
L9711200-000	1	A PLUS, C, C PLUS, AND E SERIES PUMPS WITH PC BOARD MOUNTED	
L9704700-000	1	SERIES E-DC PUMPS	
L9700700-250	1	SERIES MP PUMP-CIRCUIT BREAKER	

There is a KOPkit (rebuild kit) available for your pump that includes items 1, 2, 5, 7, 8, 9, 10, and a bleed valve o-ring.

The part number for the KOPkit can be found on your pump data label or you can determine the KOPkit part number from your pump model number by using the fourth, seventh, eighth, ninth and tenth positions for the model string

EXAMPLE:

Model	L	B	6	4	S	A	-	V	T	C	2	-	X	X	X
KOPkit Number				4				V	T	C	2				

= K4VTC2

VTC3 WET END PARTS

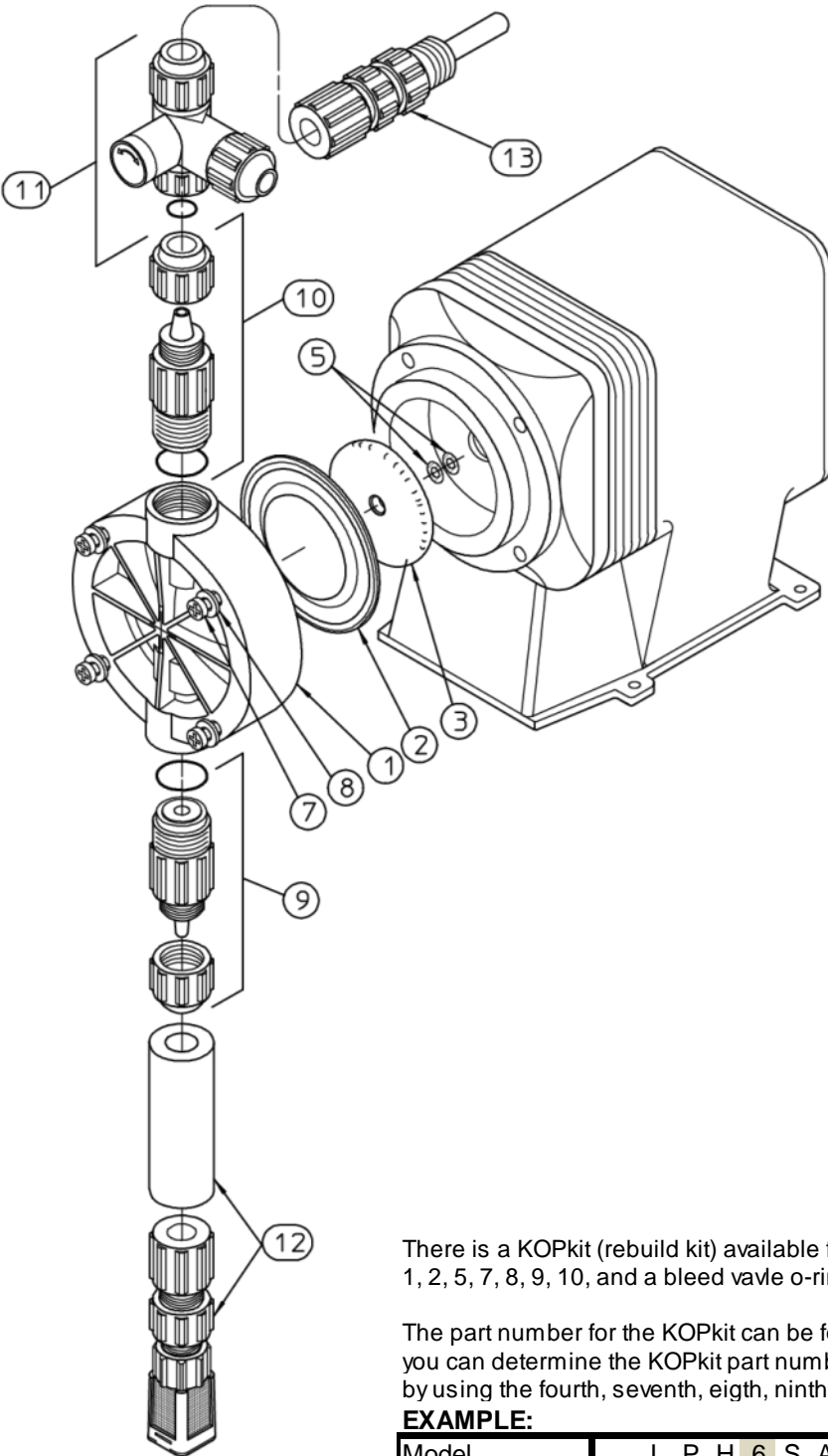
The following part numbers are the pump models with liquid end code VTC3 in the model
EXAMPLE: LPH6SA-VTC3-XXX

Use the fourth digit in the model number from your pump to identify the part numbers below

EXAMPLE MODEL:

Position	1	2	3	4	5	6	-	7	8	9	10	-	11	12	13
Model:	L	P	H	6	S	A	-	V	T	C	3	-	X	X	X

For example the pump head (ITEM #1) for this pump would be:
Part Number: L0200600-PVC



PART NUMBER	QTY	DIGIT IN POSITION NUMBER FOUR OF THE MODEL NUMBER
ITEM NO. 1: PUMP HEAD (PVC)		
L0200400-PVC	1	4
L0200500-PVC	1	5
L0200600-PVC	1	6
ITEM NO. 2: DIAPHRAGM		
L0301100-THY	1	4
L0301200-THY	1	5
L0301300-THY	1	6
ITEM NO. 3: DEFLECTION PLATE		
L2100400-FPP	1	4
L2100500-FPP	1	5
L2100600-FPP	1	6
ITEM NO. 5: SHIM (0-2 REQUIRED)		
L9901200-BRS	0-2	ANY DIGIT
ITEM NO. 7 & 8: PUMP HEAD SCREWS AND WASHERS KIT (CONTAINS BOLTS AND WASHERS)		
L3900200-000	1	2,3, OR 4
L3900300-000	1	5, 6 OR 7
ITEM NO. 9: SUCTION VALVE		
L3101TC3-PVC	1	ANY DIGIT
ITEM NO. 10: DISCHARGE VALVE		
L3201TC3-PVC	1	ANY DIGIT
ITEM NO. 11: BLEED VALVE		
L3300T03-PVC	1	ANY DIGIT
ITEM NO. 12: FOOT VALVE/STRAINER		
J60728	1	ANY DIGIT
ITEM NO. 13: INJECTION VALVE		
J41873	1	ANY DIGIT
REPLACEMENT FUSES		
L9707300-000	1	E PLUS SERIES, AND E SERIES PUMPS WITH FUSE HOLDER
L9711200-000	1	A PLUS, C, C PLUS, AND E SERIES PUMPS WITH PC BOARD MOUNTED
L9704700-000	1	SERIES E-DC PUMPS
L9700700-250	1	SERIES MP PUMP-CIRCUIT BREAKER

There is a KOPkit (rebuild kit) available for your pump that includes items 1, 2, 5, 7, 8, 9, 10, and a bleed valve o-ring.

The part number for the KOPkit can be found on your pump data label or you can determine the KOPkit part number from your pump model number by using the fourth, seventh, eighth, ninth and tenth positions for the model string

EXAMPLE:

Model	L	P	H	6	S	A	-	V	T	C	3	-	X	X	X
KOPkit Number				6				V	T	C	3				

= K6VTC3

VTC4 WET END PARTS

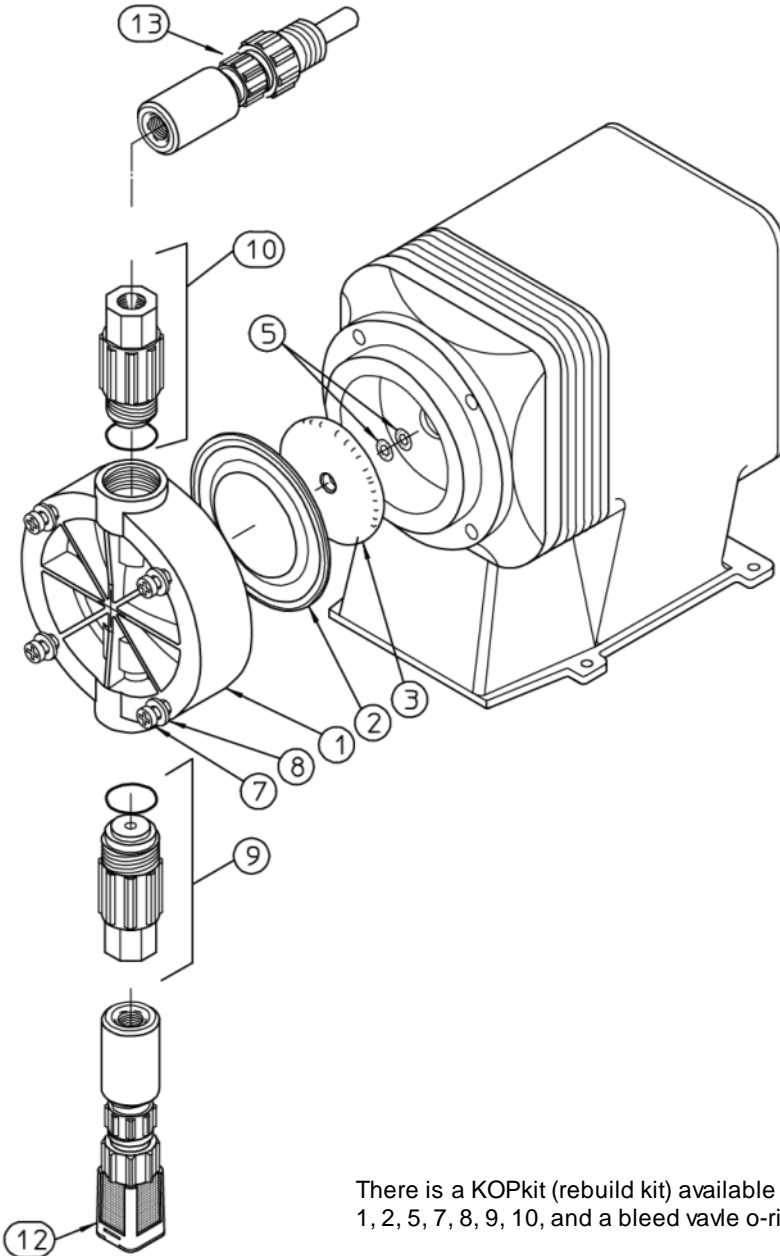
The following part numbers are the pump models with liquid end code VTC4 in the model
EXAMPLE: LPH6SA-VTC4-XXX

Use the fourth digit in the model number from your pump to identify the part numbers below

EXAMPLE MODEL:

Position	1	2	3	4	5	6	-	7	8	9	10	-	11	12	13
Model:	L	P	H	6	S	A	-	V	T	C	4	-	X	X	X

For example the pump head (ITEM #1) for this pump would be:
 Part Number: **L0200600-FPP**



PART NUMBER	QTY	DIGIT IN POSITION NUMBER FOUR OF THE MODEL NUMBER
ITEM NO. 1: PUMP HEAD (PVC)		
L0200400-PVC	1	4
L0200500-PVC	1	5
L0200600-PVC	1	6
ITEM NO. 2: DIAPHRAGM		
L0301100-THY	1	4
L0301200-THY	1	5
L0301300-THY	1	6
ITEM NO. 3: DEFLECTION PLATE		
L2100400-FPP	1	4
L2100500-FPP	1	5
L2100600-FPP	1	6
ITEM NO. 5: SHIM (0-2 REQUIRED)		
L9901200-BRS	0-2	ANY DIGIT
ITEM NO. 7 & 8: PUMP HEAD SCREWS AND WASHERS KIT (CONTAINS BOLTS AND WASHERS)		
L3900200-000	1	2,3, OR 4
L3900300-000	1	5, 6 OR 7
ITEM NO. 9: SUCTION VALVE		
L3101TC4-PVC	1	ANY DIGIT
ITEM NO. 10: DISCHARGE VALVE		
L3201TC4-PVC	1	ANY DIGIT
ITEM NO. 11: BLEED VALVE		
NO BLEED VALVE	1	ANY DIGIT
ITEM NO. 12: FOOT VALVE/STRAINER		
J60700	1	ANY DIGIT
ITEM NO. 13: INJECTION VALVE		
J41908	1	ANY DIGIT
REPLACEMENT FUSES		
L9707300-000	1	E PLUS SERIES, AND E SERIES PUMPS WITH FUSE HOLDER
L9711200-000	1	A PLUS, C, C PLUS, AND E SERIES PUMPS WITH PC BOARD MOUNTED
L9704700-000	1	SERIES E-DC PUMPS
L9700700-250	1	SERIES MP PUMP-CIRCUIT BREAKER

There is a KOPkit (rebuild kit) available for your pump that includes items 1, 2, 5, 7, 8, 9, 10, and a bleed valve o-ring.

The part number for the KOPkit can be found on your pump data label or you can determine the KOPkit part number from your pump model number by using the fourth, seventh, eighth, ninth and tenth positions for the model string

EXAMPLE:

Model	L	P	H	6	S	A	-	V	T	C	4	-	X	X	X
KOPkit Number				6				V	T	C	4				

= **K6VTC4**

VTCA WET END PARTS

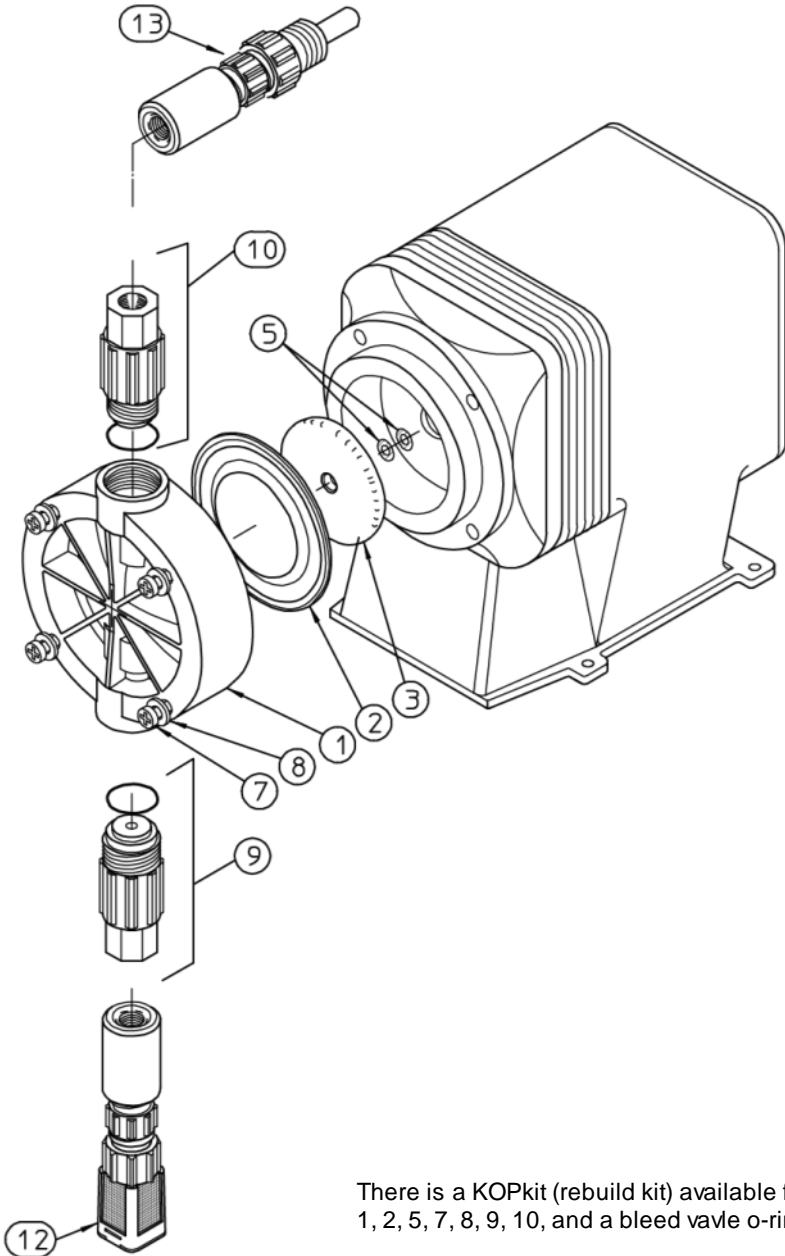
The following part numbers are the pump models with liquid end code VTCA in the model
EXAMPLE: LB64SA-VTCA-XXX

Use the fourth digit in the model number from your pump to identify the part numbers below

EXAMPLE MODEL:

Position	1	2	3	4	5	6	-	7	8	9	10	-	11	12	13
Model:	L	B	6	4	S	A	-	V	T	C	A	-	X	X	X

For example the pump head (ITEM #1) for this pump would be:
Part Number: L0200400-PVC



PART NUMBER	QTY	DIGIT IN POSITION NUMBER FOUR OF THE MODEL NUMBER
ITEM NO. 1: PUMP HEAD (PVC)		
L0200900-PVC	1	2
L0200300-PVC	1	3
L0200400-PVC	1	4
ITEM NO. 2: DIAPHRAGM		
L0300900-THY	1	2
L0301000-THY	1	3
L0301100-THY	1	4
ITEM NO. 3: DEFLECTION PLATE		
L2100200-FPP	1	2
L2100300-FPP	1	3
L2100400-FPP	1	4
ITEM NO. 5: SHIM (0-2 REQUIRED)		
L9901200-BRS	0-2	ANY DIGIT
ITEM NO. 7 & 8: PUMP HEAD SCREWS AND WASHERS KIT (CONTAINS BOLTS AND WASHERS)		
L3900200-000	1	2,3, OR 4
ITEM NO. 9: SUCTION VALVE		
L3101TCA-PVC	1	ANY DIGIT
ITEM NO. 10: DISCHARGE VALVE		
L3201TCA-PVC	1	ANY DIGIT
ITEM NO. 11: BLEED VALVE		
L3300T03-PVC	1	ANY DIGIT
ITEM NO. 12: FOOT VALVE/STRAINER		
J60728	1	ANY DIGIT
ITEM NO. 13: INJECTION VALVE		
J41873	1	ANY DIGIT
REPLACEMENT FUSES		
L9707300-000	1	E PLUS SERIES, AND E SERIES PUMPS WITH FUSE HOLDER
L9711200-000	1	A PLUS, C, C PLUS, AND E SERIES PUMPS WITH PC BOARD MOUNTED
L9704700-000	1	SERIES E-DC PUMPS
L9700700-250	1	SERIES MP PUMP-CIRCUIT BREAKER

There is a KOPkit (rebuild kit) available for your pump that includes items 1, 2, 5, 7, 8, 9, 10, and a bleed valve o-ring.

The part number for the KOPkit can be found on your pump data label or you can determine the KOPkit part number from your pump model number by using the fourth, seventh, eighth, ninth and tenth positions for the model string

EXAMPLE:

Model	L	B	6	4	S	A	-	V	T	C	A	-	X	X	X
KOPkit Number				4				V	T	C	A				

= K4VTCA

VVC1 WET END PARTS

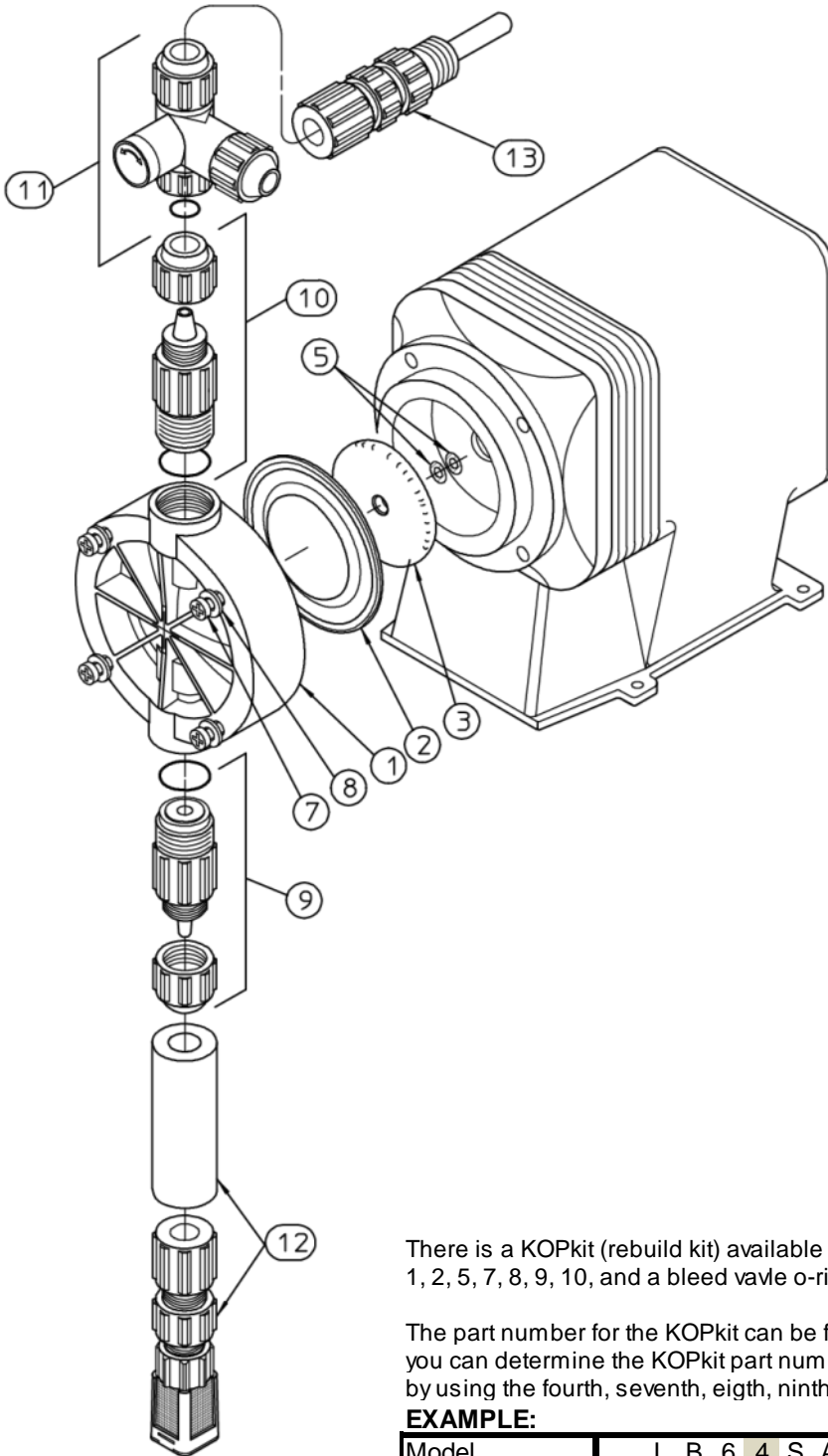
The following part numbers are the pump models with liquid end code VVC1 in the model
EXAMPLE: LB64SA-VVC1-XXX

Use the fourth digit in the model number from your pump to identify the part numbers below

EXAMPLE MODEL:

Position	1	2	3	4	5	6	-	7	8	9	10	-	11	12	13
Model:	L	B	6	4	S	A	-	V	V	C	1	-	X	X	X

For example the pump head (ITEM #1) for this pump would be:
Part Number: L0200400-PVC



PART NUMBER	QTY	DIGIT IN POSITION NUMBER FOUR OF THE MODEL NUMBER
ITEM NO. 1: PUMP HEAD (PVC)		
L0200900-PVC	1	2
L0200300-PVC	1	3
L0200400-PVC	1	4
ITEM NO. 2: DIAPHRAGM		
L0300900-THY	1	2
L0301000-THY	1	3
L0301100-THY	1	4
ITEM NO. 3: DEFLECTION PLATE		
L2100200-FPP	1	2
L2100300-FPP	1	3
L2100400-FPP	1	4
ITEM NO. 5: SHIM (0-2 REQUIRED)		
L9901200-BRS	0-2	ANY DIGIT
ITEM NO. 7 & 8: PUMP HEAD SCREWS AND WASHERS KIT (CONTAINS BOLTS AND WASHERS)		
L3900200-000	1	2,3, OR 4
ITEM NO. 9: SUCTION VALVE		
L3101VC1-PVC	1	ANY DIGIT
ITEM NO. 10: DISCHARGE VALVE		
L3201VC1-PVC	1	ANY DIGIT
ITEM NO. 11: BLEED VALVE		
L3300V01-PVC	1	ANY DIGIT
ITEM NO. 12: FOOT VALVE/STRAINER		
J60718	1	ANY DIGIT
ITEM NO. 13: INJECTION VALVE		
J61237	1	ANY DIGIT
REPLACEMENT FUSES		
L9707300-000	1	E PLUS SERIES, AND E SERIES PUMPS WITH FUSE HOLDER
L9711200-000	1	A PLUS, C, C PLUS, AND E SERIES PUMPS WITH PC BOARD MOUNTED
L9704700-000	1	SERIES E-DC PUMPS
L9700700-250	1	SERIES MP PUMP-CIRCUIT BREAKER

There is a KOPkit (rebuild kit) available for your pump that includes items 1, 2, 5, 7, 8, 9, 10, and a bleed valve o-ring.

The part number for the KOPkit can be found on your pump data label or you can determine the KOPkit part number from your pump model number by using the fourth, seventh, eighth, ninth and tenth positions for the model string

EXAMPLE:

Model	L	B	6	4	S	A	-	V	V	C	1	-	X	X	X
KOPkit Number				4				V	V	C	1				

= K4VVC1

VVC2 WET END PARTS

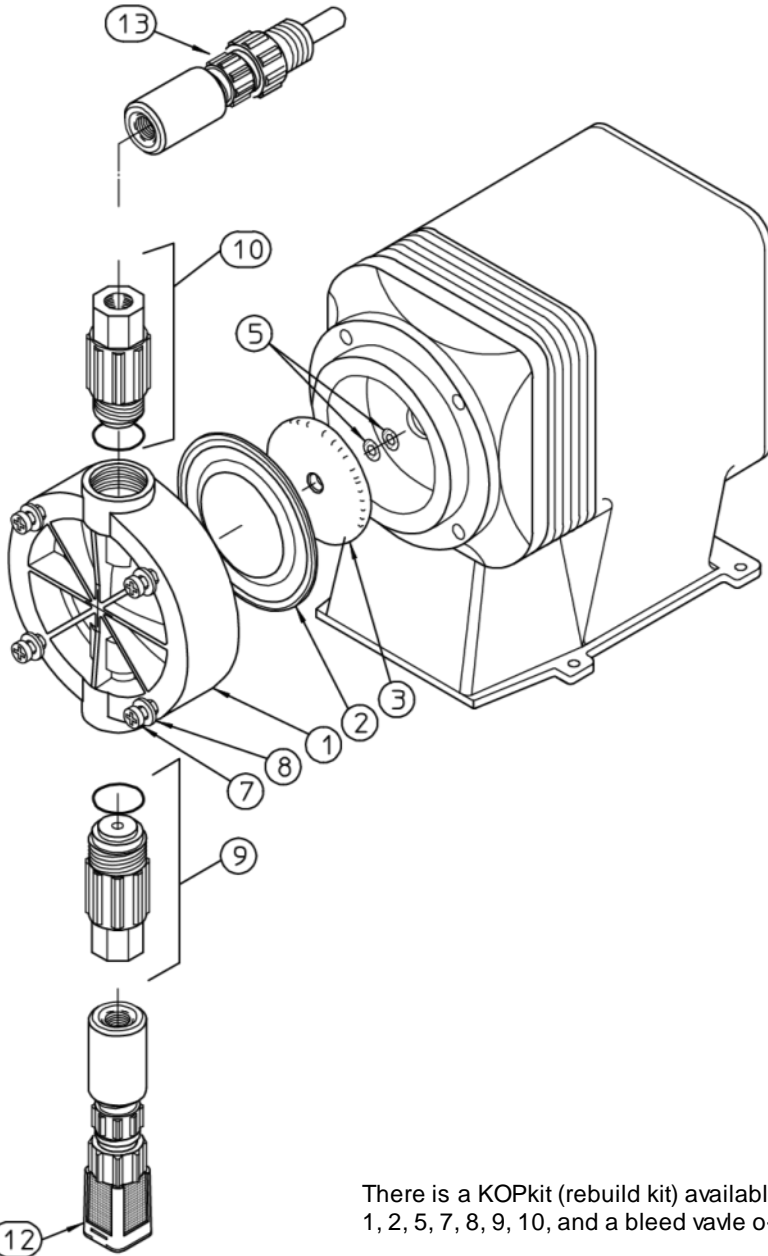
The following part numbers are the pump models with liquid end code VVC2 in the model
EXAMPLE: LB64SA-VVC2-XXX

Use the fourth digit in the model number from your pump to identify the part numbers below

EXAMPLE MODEL:

Position	1	2	3	4	5	6	-	7	8	9	10	-	11	12	13
Model:	L	B	6	4	S	A	-	V	V	C	2	-	X	X	X

For example the pump head (ITEM #1) for this pump would be:
Part Number: L0200400-PVC



PART NUMBER	QTY	DIGIT IN POSITION NUMBER FOUR OF THE MODEL NUMBER
ITEM NO. 1: PUMP HEAD (PVC)		
L0200900-PVC	1	2
L0200300-PVC	1	3
L0200400-PVC	1	4
ITEM NO. 2: DIAPHRAGM		
L0300900-THY	1	2
L0301000-THY	1	3
L0301100-THY	1	4
ITEM NO. 3: DEFLECTION PLATE		
L2100200-FPP	1	2
L2100300-FPP	1	3
L2100400-FPP	1	4
ITEM NO. 5: SHIM (0-2 REQUIRED)		
L9901200-BRS	0-2	ANY DIGIT
ITEM NO. 7 & 8: PUMP HEAD SCREWS AND WASHERS KIT (CONTAINS BOLTS AND WASHERS)		
L3900200-000	1	2,3, OR 4
ITEM NO. 9: SUCTION VALVE		
L3101VC2-PVC	1	ANY DIGIT
ITEM NO. 10: DISCHARGE VALVE		
L3201VC2-PVC	1	ANY DIGIT
ITEM NO. 11: BLEED VALVE		
NO BLEED VALVE	1	ANY DIGIT
ITEM NO. 12: FOOT VALVE/STRAINER		
J60702	1	ANY DIGIT
ITEM NO. 13: INJECTION VALVE		
J41858	1	ANY DIGIT
REPLACEMENT FUSES		
L9707300-000	1	E PLUS SERIES, AND E SERIES PUMPS WITH FUSE HOLDER
L9711200-000	1	A PLUS, C, C PLUS, AND E SERIES PUMPS WITH PC BOARD MOUNTED
L9704700-000	1	SERIES E-DC PUMPS
L9700700-250	1	SERIES MP PUMP-CIRCUIT BREAKER

There is a KOPkit (rebuild kit) available for your pump that includes items 1, 2, 5, 7, 8, 9, 10, and a bleed valve o-ring.

The part number for the KOPkit can be found on your pump data label or you can determine the KOPkit part number from your pump model number by using the fourth, seventh, eighth, ninth and tenth positions for the model string

EXAMPLE:

Model	L	B	6	4	S	A	-	V	V	C	1	-	X	X	X
KOPkit Number				4				V	V	C	2				

= K4VVC2

VVC3 WET END PARTS

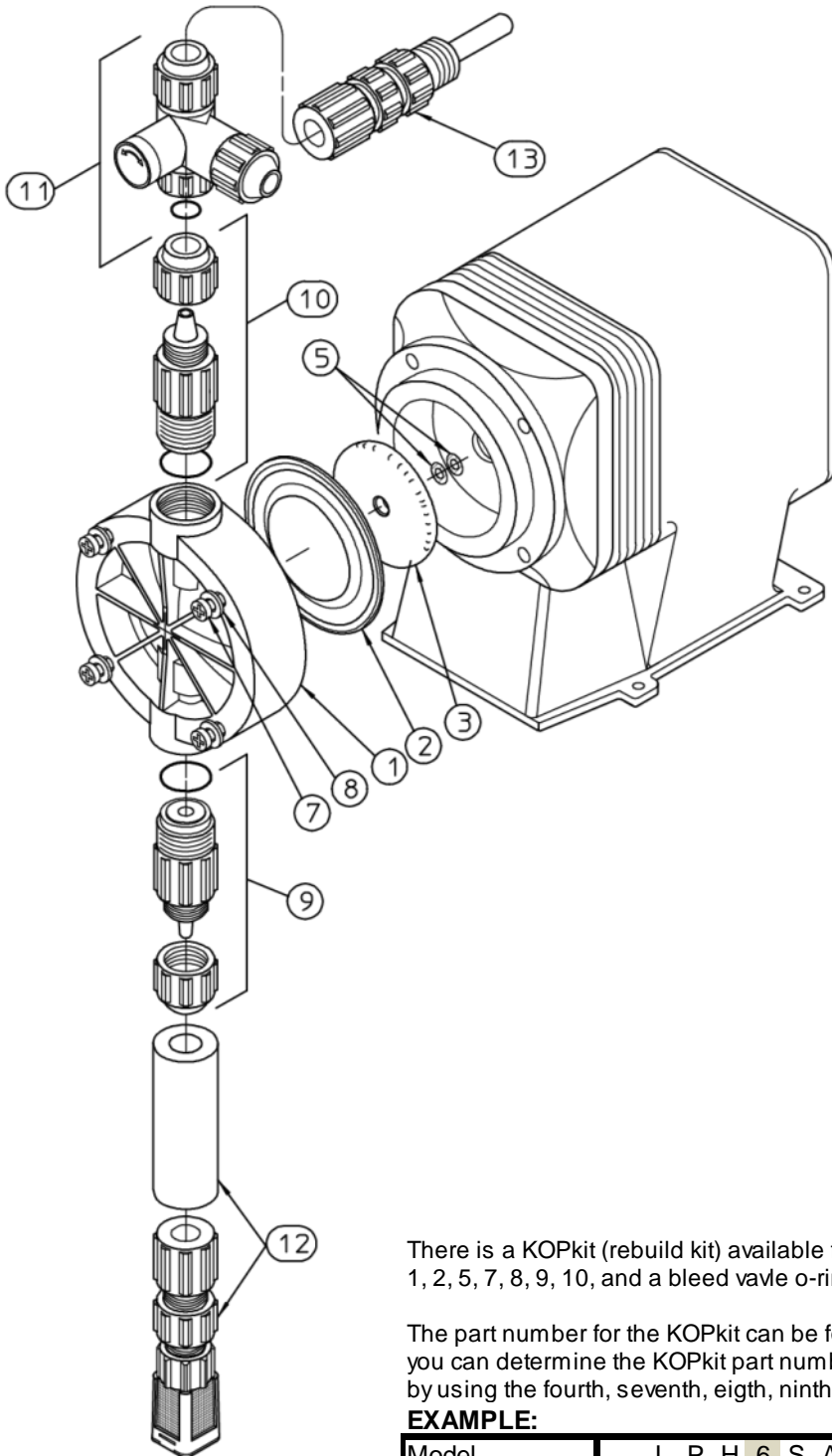
The following part numbers are the pump models with liquid end code VVC3 in the model
EXAMPLE: LPH6SA-VVC3-XXX

Use the fourth digit in the model number from your pump to identify the part numbers below

EXAMPLE MODEL:

Position	1	2	3	4	5	6	-	7	8	9	10	-	11	12	13
Model:	L	P	H	6	S	A	-	V	V	C	3	-	X	X	X

For example the pump head (ITEM #1) for this pump would be:
Part Number: L0200600-PVC



PART NUMBER	QTY	DIGIT IN POSITION NUMBER FOUR OF THE MODEL NUMBER
ITEM NO. 1: PUMP HEAD (PVC)		
L0200400-PVC	1	4
L0200500-PVC	1	5
L0200600-PVC	1	6
ITEM NO. 2: DIAPHRAGM		
L0301100-THY	1	4
L0301200-THY	1	5
L0301300-THY	1	6
ITEM NO. 3: DEFLECTION PLATE		
L2100400-FPP	1	4
L2100500-FPP	1	5
L2100600-FPP	1	6
ITEM NO. 5: SHIM (0-2 REQUIRED)		
L9901200-BRS	0-2	ANY DIGIT
ITEM NO. 7 & 8: PUMP HEAD SCREWS AND WASHERS KIT (CONTAINS BOLTS AND WASHERS)		
L3900200-000	1	2,3, OR 4
L3900300-000	1	5, 6 OR 7
ITEM NO. 9: SUCTION VALVE		
L3101VC3-PVC	1	ANY DIGIT
ITEM NO. 10: DISCHARGE VALVE		
L3201VC3-PVC	1	ANY DIGIT
ITEM NO. 11: BLEED VALVE		
L3300V03-PVC	1	ANY DIGIT
ITEM NO. 12: FOOT VALVE/STRAINER		
J60730	1	ANY DIGIT
ITEM NO. 13: INJECTION VALVE		
J41714	1	ANY DIGIT
REPLACEMENT FUSES		
L9707300-000	1	E PLUS SERIES, AND E SERIES PUMPS WITH FUSE HOLDER
L9711200-000	1	A PLUS, C, C PLUS, AND E SERIES PUMPS WITH PC BOARD MOUNTED
L9704700-000	1	SERIES E-DC PUMPS
L9700700-250	1	SERIES MP PUMP-CIRCUIT BREAKER

There is a KOPkit (rebuild kit) available for your pump that includes items 1, 2, 5, 7, 8, 9, 10, and a bleed valve o-ring.

The part number for the KOPkit can be found on your pump data label or you can determine the KOPkit part number from your pump model number by using the fourth, seventh, eighth, ninth and tenth positions for the model string

EXAMPLE:

Model	L	P	H	6	S	A	-	V	V	C	3	-	X	X	X
KOPkit Number				6				V	V	C	3				

= K6VVC3

VVC4 WET END PARTS

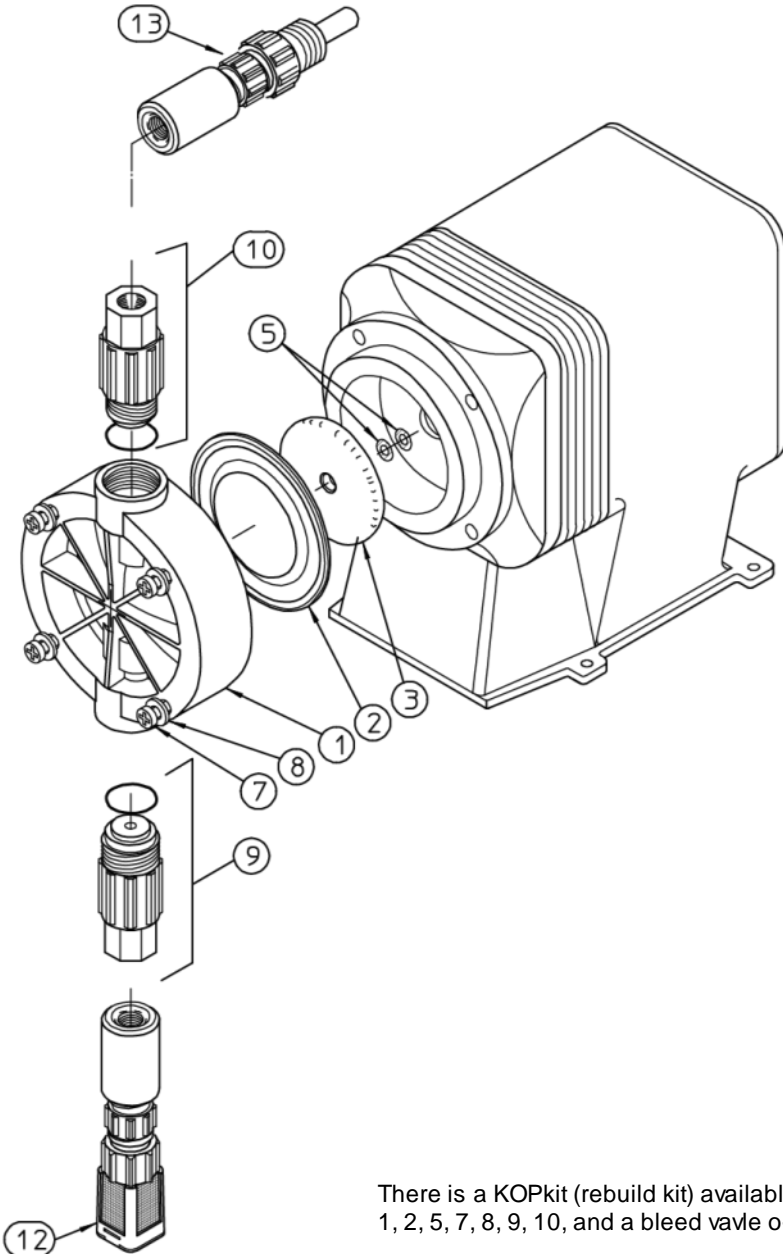
The following part numbers are the pump models with liquid end code VVC4 in the model
EXAMPLE: LPH6SA-VVC4-XXX

Use the fourth digit in the model number from your pump to identify the part numbers below

EXAMPLE MODEL:

Position	1	2	3	4	5	6	-	7	8	9	10	-	11	12	13
Model:	L	P	H	6	S	A	-	V	V	C	4	-	X	X	X

For example the pump head (ITEM #1) for this pump would be:
Part Number: L0200600-FPP



PART NUMBER	QTY	DIGIT IN POSITION NUMBER FOUR OF THE MODEL NUMBER
ITEM NO. 1: PUMP HEAD (PVC)		
L0200400-PVC	1	4
L0200500-PVC	1	5
L0200600-PVC	1	6
ITEM NO. 2: DIAPHRAGM		
L0301100-THY	1	4
L0301200-THY	1	5
L0301300-THY	1	6
ITEM NO. 3: DEFLECTION PLATE		
L2100400-FPP	1	4
L2100500-FPP	1	5
L2100600-FPP	1	6
ITEM NO. 5: SHIM (0-2 REQUIRED)		
L9901200-BRS	0-2	ANY DIGIT
ITEM NO. 7 & 8: PUMP HEAD SCREWS AND WASHERS KIT (CONTAINS BOLTS AND WASHERS)		
L3900200-000	1	2,3, OR 4
L3900300-000	1	5, 6 OR 7
ITEM NO. 9: SUCTION VALVE		
L3101VC4-PVC	1	ANY DIGIT
ITEM NO. 10: DISCHARGE VALVE		
L3201VC4-PVC	1	ANY DIGIT
ITEM NO. 11: BLEED VALVE		
NO BLEED VALVE	1	ANY DIGIT
ITEM NO. 12: FOOT VALVE/STRAINER		
J60702	1	ANY DIGIT
ITEM NO. 13: INJECTION VALVE		
J41858	1	ANY DIGIT
REPLACEMENT FUSES		
L9707300-000	1	E PLUS SERIES, AND E SERIES PUMPS WITH FUSE HOLDER
L9711200-000	1	A PLUS, C, C PLUS, AND E SERIES PUMPS WITH PC BOARD MOUNTED
L9704700-000	1	SERIES E-DC PUMPS
L9700700-250	1	SERIES MP PUMP-CIRCUIT BREAKER

There is a KOPkit (rebuild kit) available for your pump that includes items 1, 2, 5, 7, 8, 9, 10, and a bleed valve o-ring.

The part number for the KOPkit can be found on your pump data label or you can determine the KOPkit part number from your pump model number by using the fourth, seventh, eighth, ninth and tenth positions for the model string

EXAMPLE:

Model	L	P	H	6	S	A	-	V	V	C	4	-	X	X	X
KOPkit Number				6				V	V	C	4				

= **K6VVC4**

WTC1 WET END PARTS

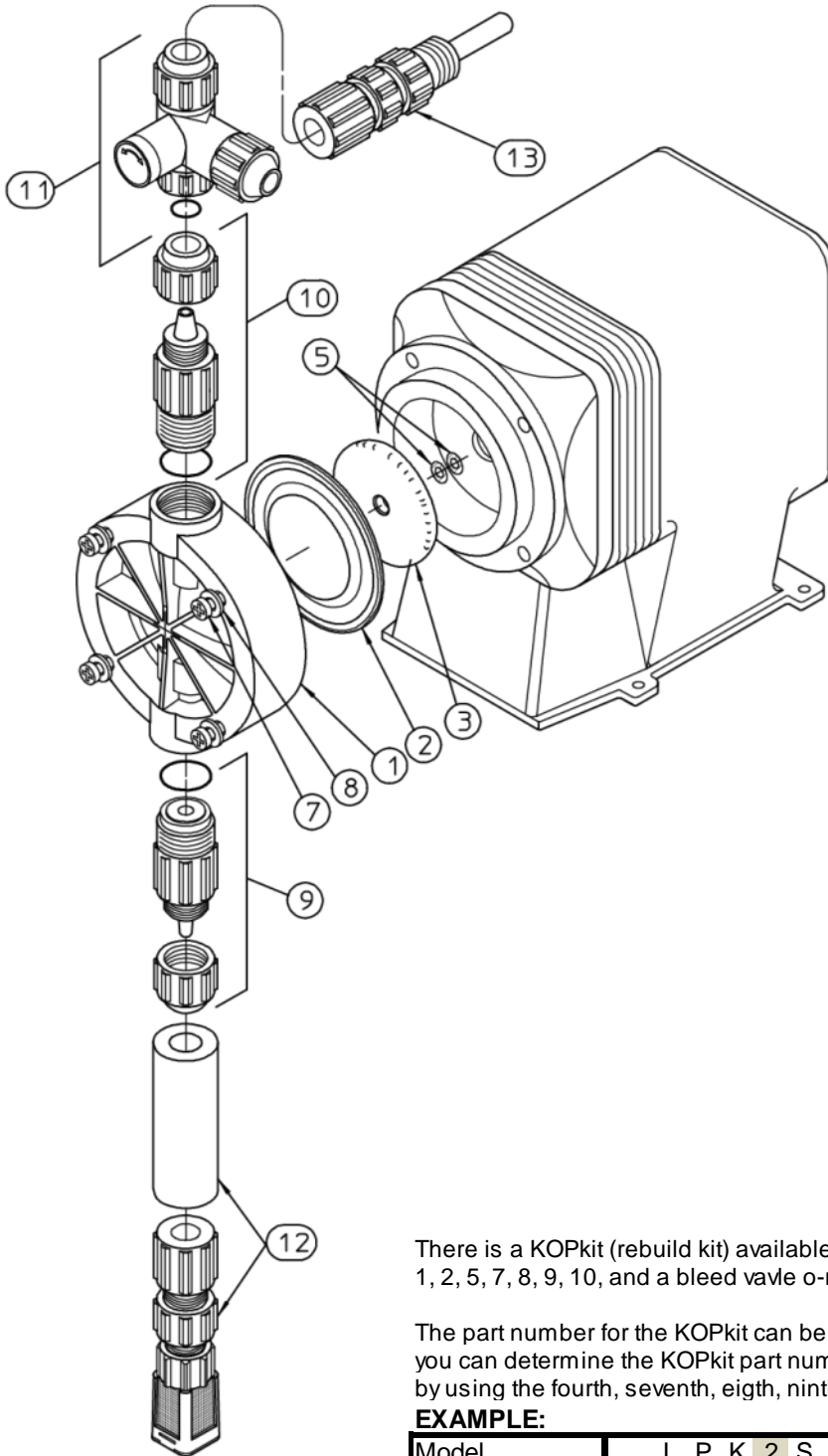
The following part numbers are the pump models with liquid end code WTC1 in the model
EXAMPLE: LPK24SA-WTC1-XXX

Use the fourth digit in the model number from your pump to identify the part numbers below

EXAMPLE MODEL:

Position	1	2	3	4	5	6	-	7	8	9	10	-	11	12	13
Model:	L	P	K	2	S	A	-	W	T	C	1	-	X	X	X

For example the pump head (ITEM #1) for this pump would be:
Part Number: L0202400-HPV



PART NUMBER	QTY	DIGIT IN POSITION NUMBER FOUR OF THE MODEL NUMBER
ITEM NO. 1: PUMP HEAD (PVC)		
L0202400-HPV	1	2
L0202500-HPV	1	3
L0200400-HPV	1	4
ITEM NO. 2: DIAPHRAGM		
L0300900-THY	1	2
L0301000-THY	1	3
L0301100-THY	1	4
ITEM NO. 3: DEFLECTION PLATE		
L2100200-FPP	1	2
L2100300-FPP	1	3
L2100400-FPP	1	4
ITEM NO. 5: SHIM (0-2 REQUIRED)		
L9901200-BRS	0-2	ANY DIGIT
ITEM NO. 7 & 8: PUMP HEAD SCREWS AND WASHERS KIT (CONTAINS BOLTS AND WASHERS)		
L3900200-000	1	2,3, OR 4
ITEM NO. 9: SUCTION VALVE		
L3101TC1-HPV	1	ANY DIGIT
ITEM NO. 10: DISCHARGE VALVE		
L3201TC1-HPV	1	ANY DIGIT
ITEM NO. 11: BLEED VALVE		
L3300T01-PVC	1	ANY DIGIT
ITEM NO. 12: FOOT VALVE/STRAINER		
J60716	1	ANY DIGIT
ITEM NO. 13: INJECTION VALVE		
J41996	1	ANY DIGIT
REPLACEMENT FUSES		
L9707300-000	1	E PLUS SERIES, AND E SERIES PUMPS WITH FUSE HOLDER
L9711200-000	1	A PLUS, C, C PLUS, AND E SERIES PUMPS WITH PC BOARD MOUNTED
L9704700-000	1	SERIES E-DC PUMPS
L9700700-250	1	SERIES MP PUMP-CIRCUIT BREAKER

There is a KOPkit (rebuild kit) available for your pump that includes items 1, 2, 5, 7, 8, 9, 10, and a bleed valve o-ring.

The part number for the KOPkit can be found on your pump data label or you can determine the KOPkit part number from your pump model number by using the fourth, seventh, eighth, ninth and tenth positions for the model string

EXAMPLE:

Model	L	P	K	2	S	A	-	W	T	C	1	-	X	X	X
KOPkit Number				2				W	T	C	1				

= K2WTC1

WTC2 WET END PARTS

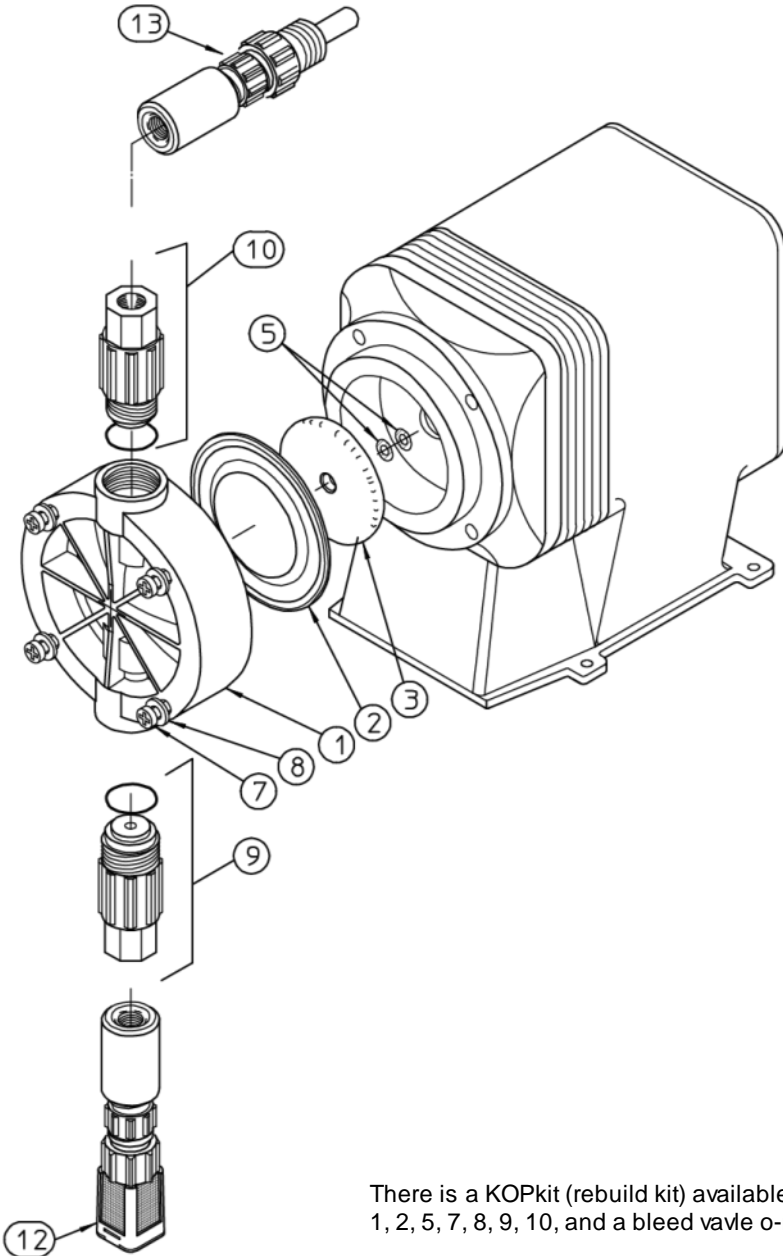
The following part numbers are the pump models with liquid end code WTC2 in the model
EXAMPLE: LPH4SA-WTC2-XXX

Use the fourth digit in the model number from your pump to identify the part numbers below

EXAMPLE MODEL:

Position	1	2	3	4	5	6	-	7	8	9	10	-	11	12	13
Model:	L	P	H	4	S	A	-	W	T	C	2	-	X	X	X

For example the pump head (ITEM #1) for this pump would be:
Part Number: L0200400-HPV



PART NUMBER	QTY	DIGIT IN POSITION NUMBER FOUR OF THE MODEL NUMBER
ITEM NO. 1: PUMP HEAD (PVC)		
L0202400-HPV	1	2
L0202500-HPV	1	3
L0200400-HPV	1	4
ITEM NO. 2: DIAPHRAGM		
L0300900-THY	1	2
L0301000-THY	1	3
L0301100-THY	1	4
ITEM NO. 3: DEFLECTION PLATE		
L2100200-FPP	1	2
L2100300-FPP	1	3
L2100400-FPP	1	4
ITEM NO. 5: SHIM (0-2 REQUIRED)		
L9901200-BRS	0-2	ANY DIGIT
ITEM NO. 7 & 8: PUMP HEAD SCREWS AND WASHERS KIT (CONTAINS BOLTS AND WASHERS)		
L3900200-000	1	2,3, OR 4
ITEM NO. 9: SUCTION VALVE		
L3101TC2-HPV	1	ANY DIGIT
ITEM NO. 10: DISCHARGE VALVE		
L3201TC2-HPV	1	ANY DIGIT
ITEM NO. 11: BLEED VALVE		
NO BLEED VALVE	1	ANY DIGIT
ITEM NO. 12: FOOT VALVE/STRAINER		
J60700	1	ANY DIGIT
ITEM NO. 13: INJECTION VALVE		
J41908	1	ANY DIGIT
REPLACEMENT FUSES		
L9707300-000	1	E PLUS SERIES, AND E SERIES PUMPS WITH FUSE HOLDER
L9711200-000	1	A PLUS, C, C PLUS, AND E SERIES PUMPS WITH PC BOARD MOUNTED
L9704700-000	1	SERIES E-DC PUMPS
L9700700-250	1	SERIES MP PUMP-CIRCUIT BREAKER

There is a KOPkit (rebuild kit) available for your pump that includes items 1, 2, 5, 7, 8, 9, 10, and a bleed valve o-ring.

The part number for the KOPkit can be found on your pump data label or you can determine the KOPkit part number from your pump model number by using the fourth, seventh, eighth, ninth and tenth positions for the model string

EXAMPLE:

Model	L	P	H	4	S	A	-	W	T	C	2	-	X	X	X
KOPkit Number				4				W	T	C	2				

= K4WTC2

WTC3 WET END PARTS

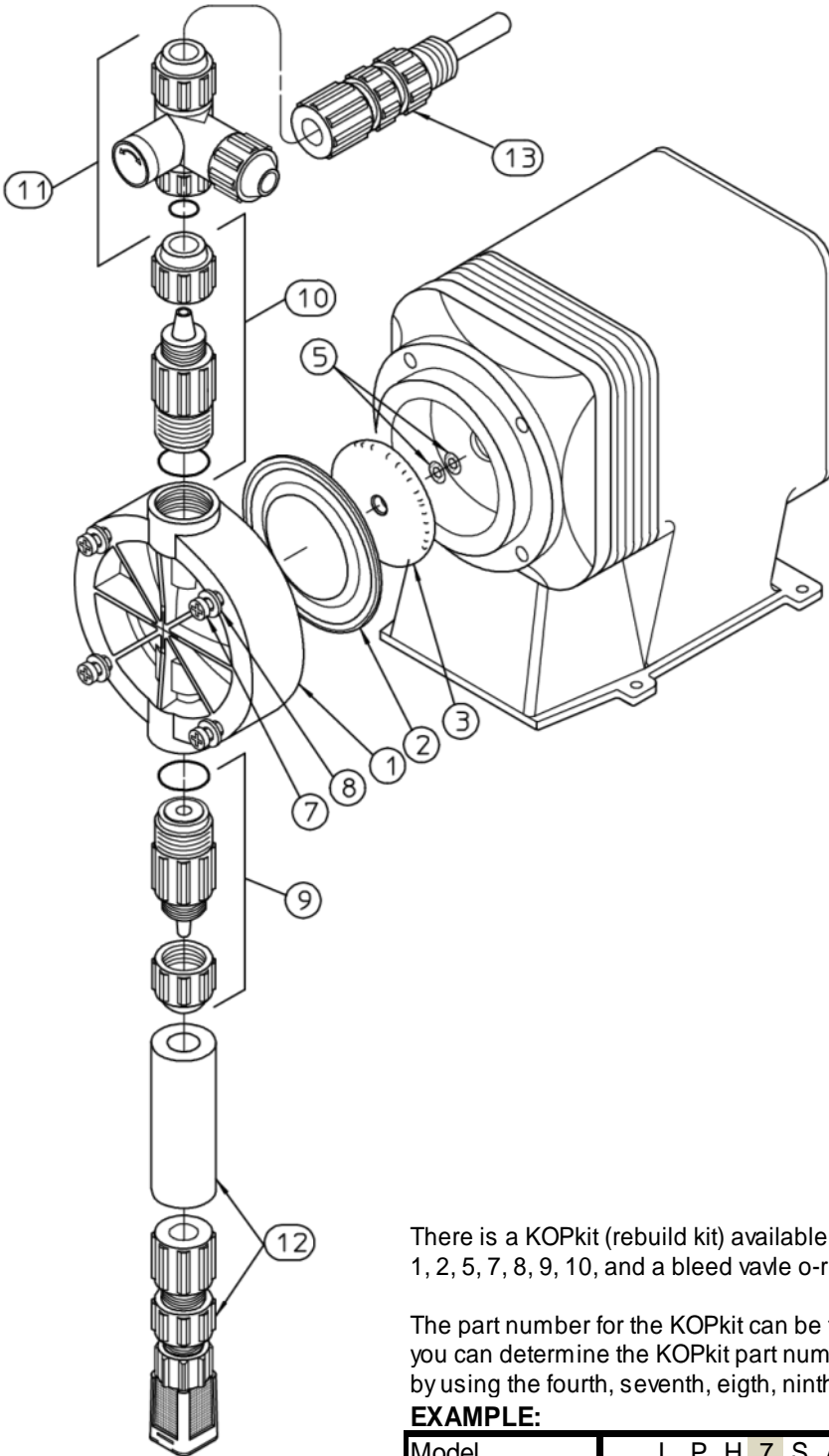
The following part numbers are the pump models with liquid end code WTC3 in the model
EXAMPLE: LPH7SA-WTC3-XXX

Use the fourth digit in the model number from your pump to identify the part numbers below

EXAMPLE MODEL:

Position	1	2	3	4	5	6	-	7	8	9	10	-	11	12	13
Model:	L	P	H	7	S	A	-	W	T	C	3	-	X	X	X

For example the pump head (ITEM #1) for this pump would be:
Part Number: L0200700-HPV



PART NUMBER	QTY	DIGIT IN POSITION NUMBER FOUR OF THE MODEL NUMBER
ITEM NO. 1: PUMP HEAD (PVC)		
L0200400-HPV	1	4
L0200700-HPV	1	7
ITEM NO. 2: DIAPHRAGM		
L0301100-THY	1	4
L0301400-THY	1	7
ITEM NO. 3: DEFLECTION PLATE		
L2100400-FPP	1	4
L2100700-FPP	1	7
ITEM NO. 5: SHIM (0-2 REQUIRED)		
L9901200-BRS	0-2	ANY DIGIT
ITEM NO. 7 & 8: PUMP HEAD SCREWS AND WASHERS KIT (CONTAINS BOLTS AND WASHERS)		
L3900200-000	1	2,3, OR 4
L3900300-000	1	5, 6 OR 7
ITEM NO. 9: SUCTION VALVE		
L3101TC3-PVC	1	ANY DIGIT
ITEM NO. 10: DISCHARGE VALVE		
L3201TC3-PVC	1	ANY DIGIT
ITEM NO. 11: BLEED VALVE		
L3300T03-PVC	1	ANY DIGIT
ITEM NO. 12: FOOT VALVE/STRAINER		
J60728	1	ANY DIGIT
ITEM NO. 13: INJECTION VALVE		
J41873	1	ANY DIGIT
REPLACEMENT FUSES		
L9707300-000	1	E PLUS SERIES, AND E SERIES PUMPS WITH FUSE HOLDER
L9711200-000	1	A PLUS, C, C PLUS, AND E SERIES PUMPS WITH PC BOARD MOUNTED
L9704700-000	1	SERIES E-DC PUMPS
L9700700-250	1	SERIES MP PUMP-CIRCUIT BREAKER

There is a KOPkit (rebuild kit) available for your pump that includes items 1, 2, 5, 7, 8, 9, 10, and a bleed valve o-ring.

The part number for the KOPkit can be found on your pump data label or you can determine the KOPkit part number from your pump model number by using the fourth, seventh, eighth, ninth and tenth positions for the model string

EXAMPLE:

Model	L	P	H	7	S	A	-	W	T	C	3	-	X	X	X
KOPkit Number				7				W	T	C	3				

= K7WTC3

WTC4 WET END PARTS

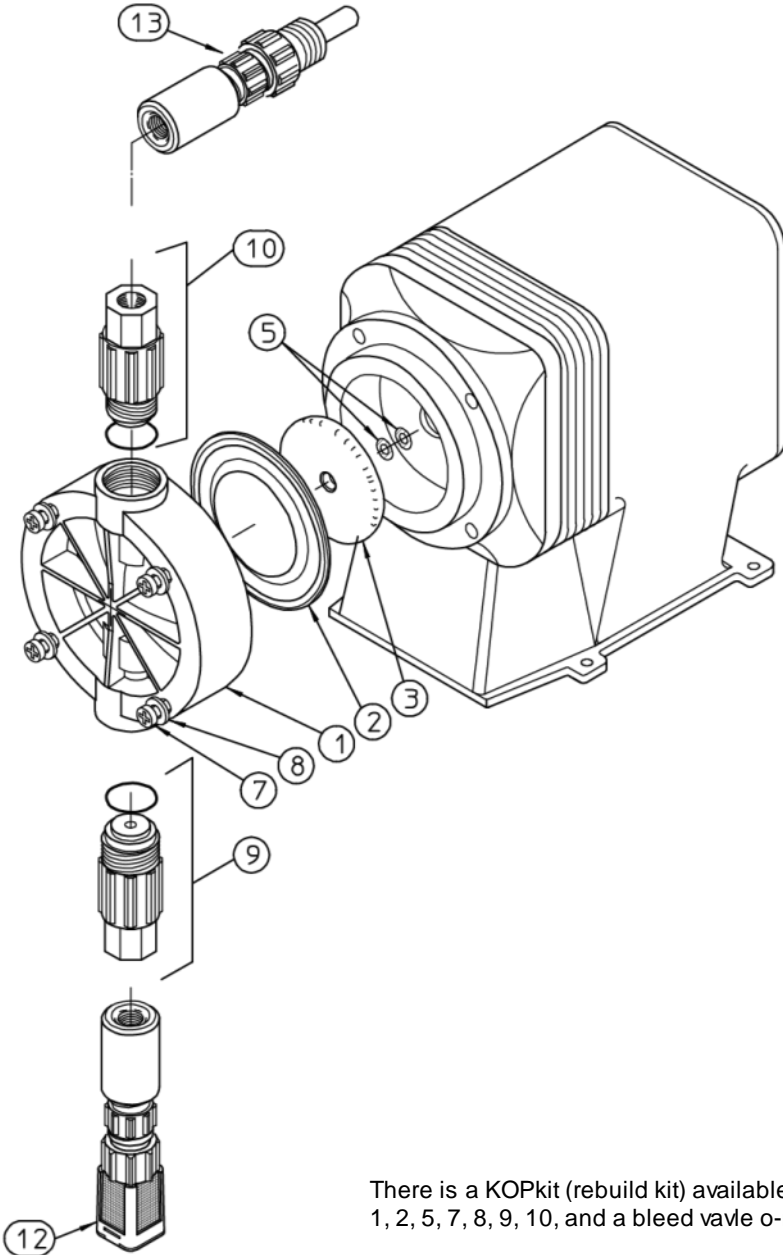
The following part numbers are the pump models with liquid end code WTC4 in the model
EXAMPLE: LPH7SA-WTC4-XXX

Use the fourth digit in the model number from your pump to identify the part numbers below

EXAMPLE MODEL:

Position	1	2	3	4	5	6	-	7	8	9	10	-	11	12	13
Model:	L	P	H	7	S	A	-	W	T	C	4	-	X	X	X

For example the pump head (ITEM #1) for this pump would be:
Part Number: L0200700-HPV



PART NUMBER	QTY	DIGIT IN POSITION NUMBER FOUR OF THE MODEL NUMBER
ITEM NO. 1: PUMP HEAD (PVC)		
L0200400-HPV	1	4
L0200700-HPV	1	7
ITEM NO. 2: DIAPHRAGM		
L0301100-THY	1	4
L0301400-THY	1	7
ITEM NO. 3: DEFLECTION PLATE		
L2100400-FPP	1	4
L2100700-FPP	1	7
ITEM NO. 5: SHIM (0-2 REQUIRED)		
L9901200-BRS	0-2	ANY DIGIT
ITEM NO. 7 & 8: PUMP HEAD SCREWS AND WASHERS KIT (CONTAINS BOLTS AND WASHERS)		
L3900200-000	1	2,3, OR 4
L3900300-000	1	5, 6 OR 7
ITEM NO. 9: SUCTION VALVE		
L3101TC4-PVC	1	ANY DIGIT
ITEM NO. 10: DISCHARGE VALVE		
L3201TC4-PVC	1	ANY DIGIT
ITEM NO. 11: BLEED VALVE		
NO BLEED VALVE	1	ANY DIGIT
ITEM NO. 12: FOOT VALVE/STRAINER		
J60700	1	ANY DIGIT
ITEM NO. 13: INJECTION VALVE		
J41908	1	ANY DIGIT
REPLACEMENT FUSES		
L9707300-000	1	E PLUS SERIES, AND E SERIES PUMPS WITH FUSE HOLDER
L9711200-000	1	A PLUS, C, C PLUS, AND E SERIES PUMPS WITH PC BOARD MOUNTED
L9704700-000	1	SERIES E-DC PUMPS
L9700700-250	1	SERIES MP PUMP-CIRCUIT BREAKER

There is a KOPkit (rebuild kit) available for your pump that includes items 1, 2, 5, 7, 8, 9, 10, and a bleed valve o-ring.

The part number for the KOPkit can be found on your pump data label or you can determine the KOPkit part number from your pump model number by using the fourth, seventh, eighth, ninth and tenth positions for the model string

EXAMPLE:

Model	L	P	H	7	S	A	-	W	T	C	4	-	X	X	X
KOPkit Number				7				W	T	C	4				

= K7WTC4

WTCA WET END PARTS

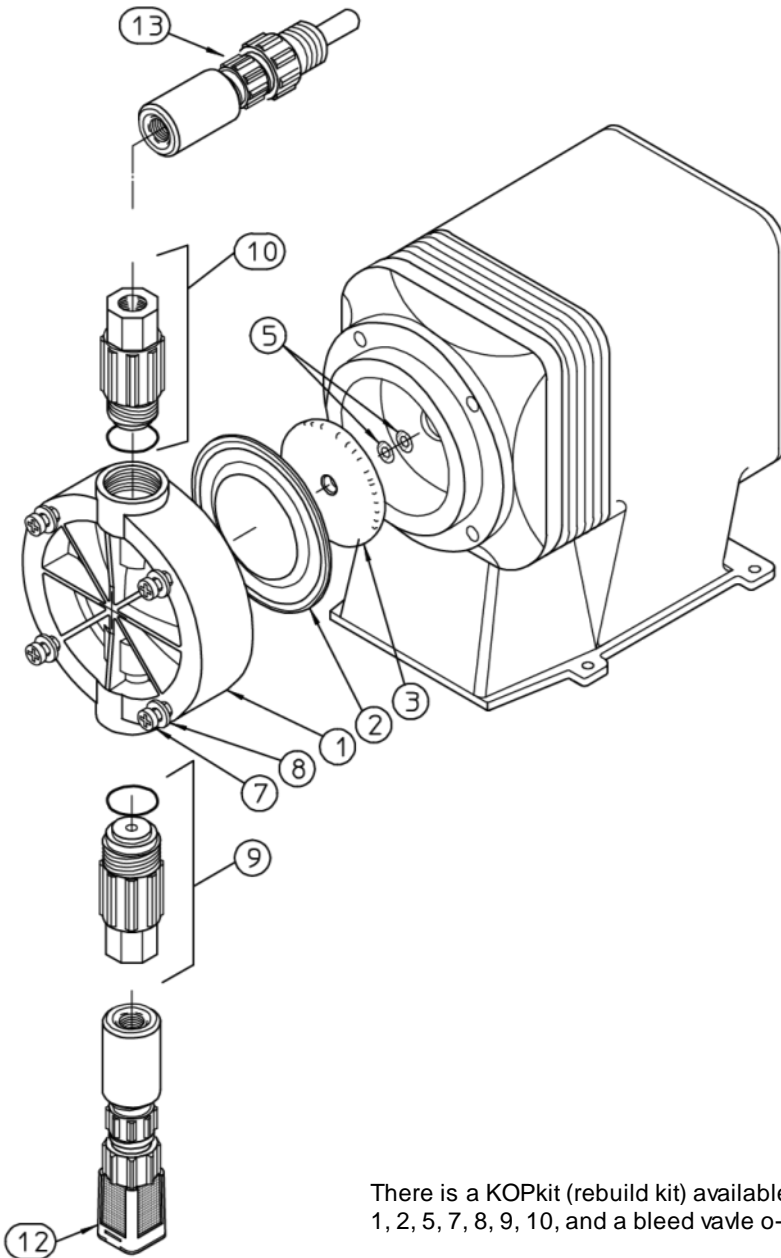
The following part numbers are the pump models with liquid end code WTCA in the model
EXAMPLE: LPB2SA-WTCA-XXX

Use the fourth digit in the model number from your pump to identify the part numbers below

EXAMPLE MODEL:

Position	1	2	3	4	5	6	-	7	8	9	10	-	11	12	13
Model:	L	P	B	2	S	A	-	W	T	C	A	-	X	X	X

For example the pump head (ITEM #1) for this pump would be:
Part Number: L0202400-HPV



PART NUMBER	QTY	DIGIT IN POSITION NUMBER FOUR OF THE MODEL NUMBER
ITEM NO. 1: PUMP HEAD (PVC)		
L0202400-HPV	1	2
L0202500-HPV	1	3
L0200400-HPV	1	4
ITEM NO. 2: DIAPHRAGM		
L0300900-THY	1	2
L0301000-THY	1	3
L0301100-THY	1	4
ITEM NO. 3: DEFLECTION PLATE		
L2100200-FPP	1	2
L2100300-FPP	1	3
L2100400-FPP	1	4
ITEM NO. 5: SHIM (0-2 REQUIRED)		
L9901200-BRS	0-2	ANY DIGIT
ITEM NO. 7 & 8: PUMP HEAD SCREWS AND WASHERS KIT (CONTAINS BOLTS AND WASHERS)		
L3900200-000	1	2,3, OR 4
ITEM NO. 9: SUCTION VALVE		
L3101TCA-HPV	1	ANY DIGIT
ITEM NO. 10: DISCHARGE VALVE		
L3201TCA-HPV	1	ANY DIGIT
ITEM NO. 11: BLEED VALVE		
L3300T03-PVC	1	ANY DIGIT
ITEM NO. 12: FOOT VALVE/STRAINER		
J60728	1	ANY DIGIT
ITEM NO. 13: INJECTION VALVE		
J41873	1	ANY DIGIT
REPLACEMENT FUSES		
L9707300-000	1	E PLUS SERIES, AND E SERIES PUMPS WITH FUSE HOLDER
L9711200-000	1	A PLUS, C, C PLUS, AND E SERIES PUMPS WITH PC BOARD MOUNTED
L9704700-000	1	SERIES E-DC PUMPS
L9700700-250	1	SERIES MP PUMP-CIRCUIT BREAKER

There is a KOPkit (rebuild kit) available for your pump that includes items 1, 2, 5, 7, 8, 9, 10, and a bleed valve o-ring.

The part number for the KOPkit can be found on your pump data label or you can determine the KOPkit part number from your pump model number by using the fourth, seventh, eighth, ninth and tenth positions for the model string

EXAMPLE:

Model	L	P	B	2	S	A	-	W	T	C	A	-	X	X	X
KOPkit Number				2				W	T	C	A				

= K2WTCA

WTCB WET END PARTS

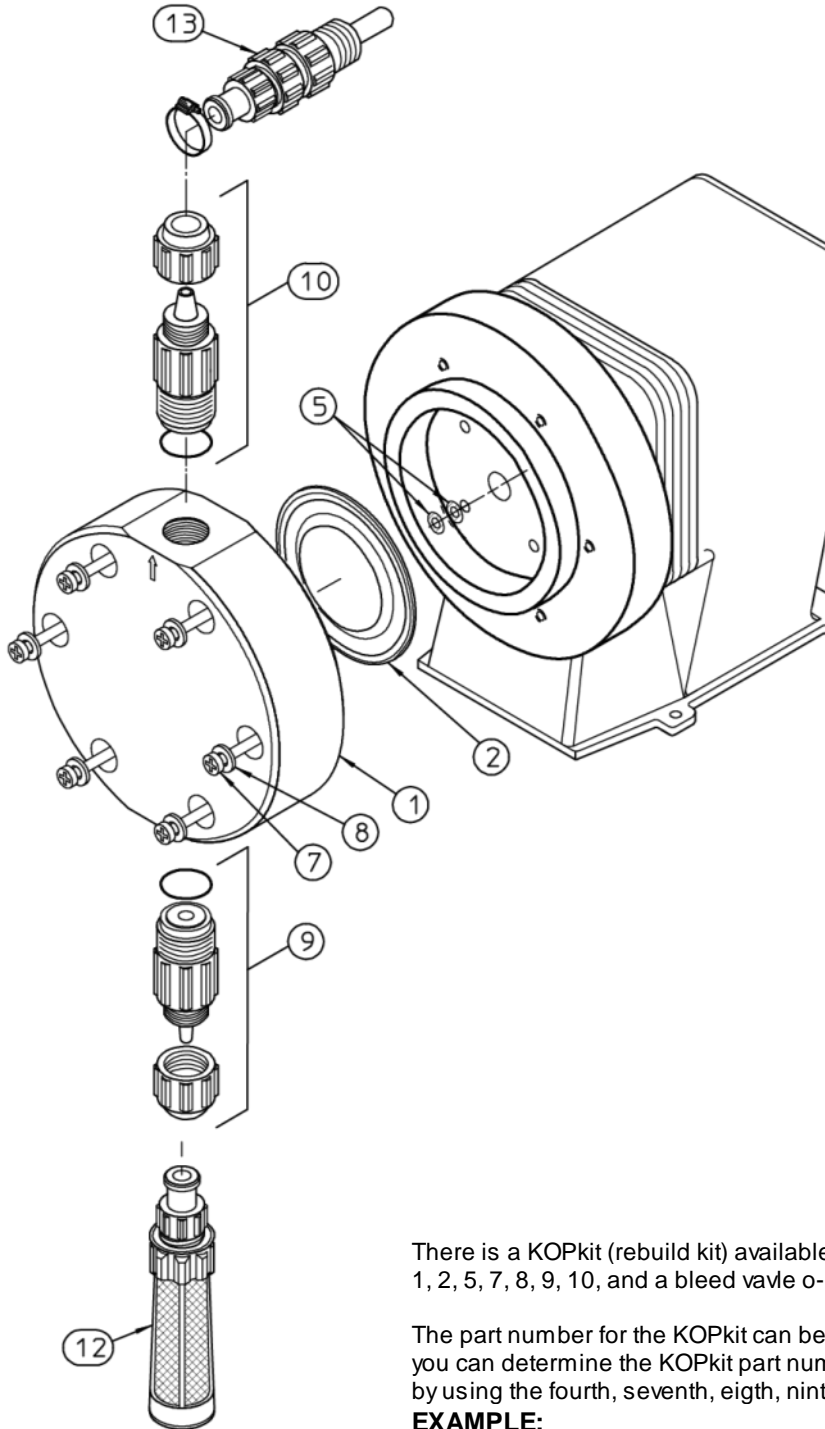
The following part numbers are the pump models with liquid end code WTCB in the model
EXAMPLE: LPH8SA-WTCB-XXX

Use the fourth digit in the model number from your pump to identify the part numbers below

EXAMPLE MODEL:

Position	1	2	3	4	5	6	-	7	8	9	10	-	11	12	13
Model:	L	P	H	8	S	A	-	W	T	C	B	-	X	X	X

For example the pump head (ITEM #1) for this pump would be:
Part Number: L0200800-HPV



PART NUMBER	QTY	DIGIT IN POSITION NUMBER FOUR OF THE MODEL NUMBER
ITEM NO. 1: PUMP HEAD (PVC)		
L0200800-HPV	1	8
ITEM NO. 2: DIAPHRAGM		
L0301600-THY	1	8
ITEM NO. 3: DEFLECTION PLATE		
NOT USED ON THESE MODELS		
ITEM NO. 5: SHIM (0-2 REQUIRED)		
L9901200-BRS	0-2	8
ITEM NO. 7 & 8: PUMP HEAD SCREWS AND WASHERS KIT (CONTAINS BOLTS AND WASHERS)		
L3900400-000	1	8
ITEM NO. 9: SUCTION VALVE		
L3101TCB-PVC	1	8
ITEM NO. 10: DISCHARGE VALVE		
L3201TCB-PVC	1	8
ITEM NO. 11: BLEED VALVE		
NO BLEED VALVE	1	8
ITEM NO. 12: FOOT VALVE/STRAINER		
J60561	1	8
ITEM NO. 13: INJECTION VALVE		
J61138-10P	1	8
REPLACEMENT FUSES		
L9707300-000	1	E PLUS SERIES, AND E SERIES PUMPS WITH FUSE HOLDER
L9700700-250	1	SERIES MP PUMP-CIRCUIT BREAKER

There is a KOPkit (rebuild kit) available for your pump that includes items 1, 2, 5, 7, 8, 9, 10, and a bleed valve o-ring.

The part number for the KOPkit can be found on your pump data label or you can determine the KOPkit part number from your pump model number by using the fourth, seventh, eighth, ninth and tenth positions for the model string

EXAMPLE:

Model	L	P	H	8	S	A	-	W	T	C	B	-	X	X	X
KOPkit Number				8				W	T	C	B				

= **K8WTCB**

WTCJ WET END PARTS

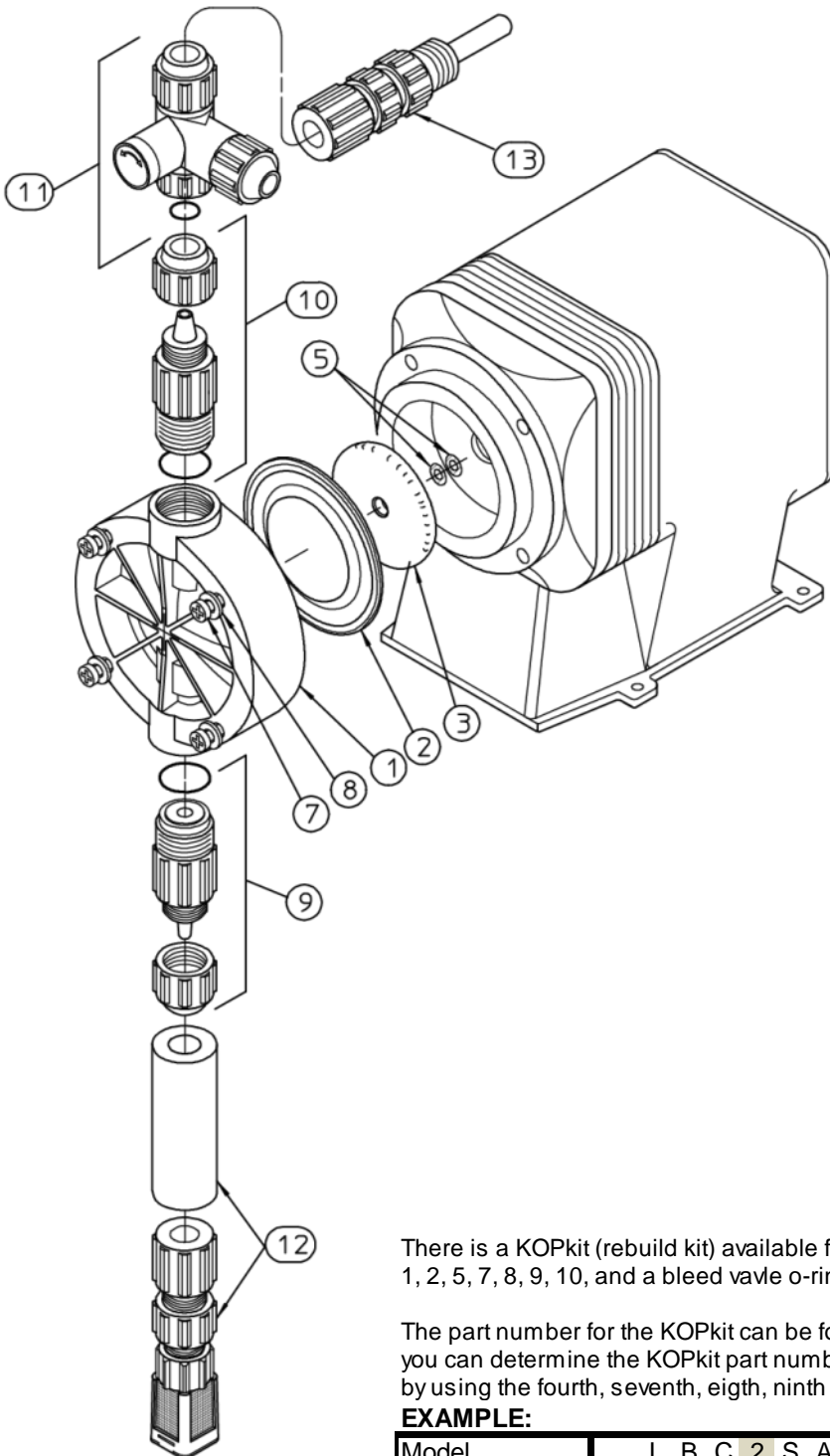
The following part numbers are the pump models with liquid end code WTCJ in the model
EXAMPLE: LBC2SA-WTCJ-XXX

Use the fourth digit in the model number from your pump to identify the part numbers below

EXAMPLE MODEL:

Position	1	2	3	4	5	6	-	7	8	9	10	-	11	12	13
Model:	L	B	C	2	S	A	-	W	T	C	J	-	X	X	X

For example the pump head (ITEM #1) for this pump would be:
Part Number: L0202400-HPV



PART NUMBER	QTY	DIGIT IN POSITION NUMBER FOUR OF THE MODEL NUMBER
ITEM NO. 1: PUMP HEAD (PVD)		
L0202400-HPV	1	2
L0202500-HPV	1	3
ITEM NO. 2: DIAPHRAGM		
L0300900-THY	1	2
L0301000-THY	1	3
ITEM NO. 3: DEFLECTION PLATE		
L2100200-FPP	1	2
L2100300-FPP	1	3
ITEM NO. 5: SHIM (0-2 REQUIRED)		
L9901200-BRS	0-2	ANY DIGIT
ITEM NO. 7 & 8: PUMP HEAD SCREWS AND WASHERS KIT (CONTAINS BOLTS AND WASHERS)		
L3900200-000	1	2,3, OR 4
ITEM NO. 9: SUCTION VALVE		
L3101TCJ-HPV	1	ANY DIGIT
ITEM NO. 10: DISCHARGE VALVE		
L3201TCJ-HPV	1	ANY DIGIT
ITEM NO. 11: BLEED VALVE		
L3300T01-PVC	1	ANY DIGIT
ITEM NO. 12: FOOT VALVE/STRAINER		
J60716	1	ANY DIGIT
ITEM NO. 13: INJECTION VALVE		
J41996	1	ANY DIGIT
REPLACEMENT FUSES		
L9707300-000	1	E PLUS SERIES, AND E SERIES PUMPS WITH FUSE HOLDER
L9711200-000	1	A PLUS, C, C PLUS, AND E SERIES PUMPS WITH PC BOARD MOUNTED
L9704700-000	1	SERIES E-DC PUMPS
L9700700-250	1	SERIES MP PUMP-CIRCUIT BREAKER

There is a KOPkit (rebuild kit) available for your pump that includes items 1, 2, 5, 7, 8, 9, 10, and a bleed valve o-ring.

The part number for the KOPkit can be found on your pump data label or you can determine the KOPkit part number from your pump model number by using the fourth, seventh, eighth, ninth and tenth positions for the model string

EXAMPLE:

Model	L	B	C	2	S	A	-	W	T	C	J	-	X	X	X
KOPkit Number				2				W	T	C	J				

= K2WTCJ

