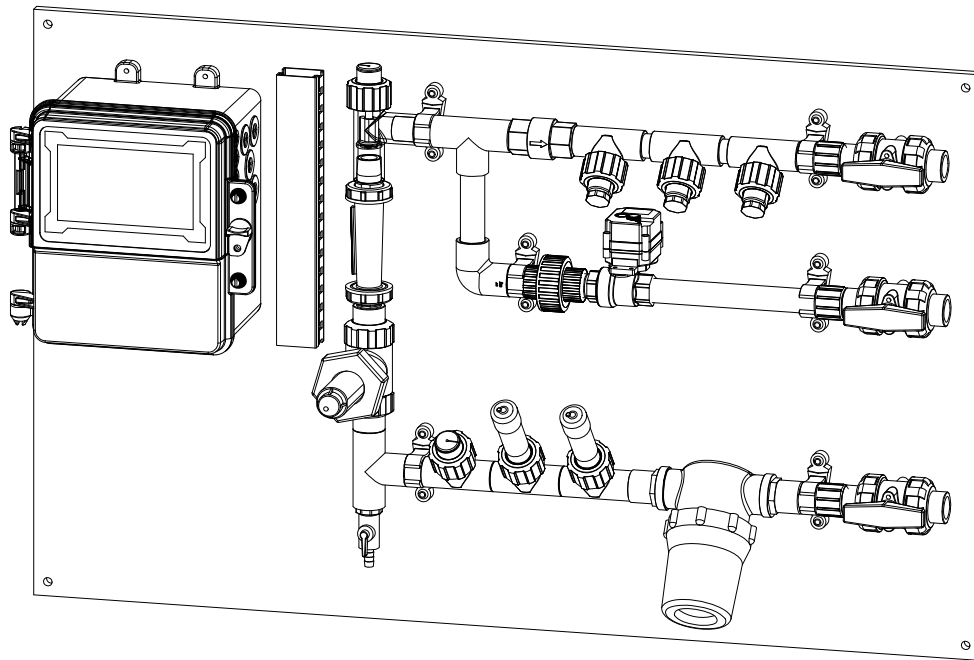


PRE-FAB SYSTEMS

CM CONTROLLER MOUNT BOARDS



KEY FEATURES

- › Simplify Installation
- › Convenient Configuration
- › Sample Stream Options
- › Customize to Your System
- › Corrosion Resistant Panel
- › Save Time and Money
- › Professional Appearance

APPLICATION

Advantage Controls prefabricated systems simplify the installation of water treatment control equipment, saving time and money.

CM controller mount boards economically accommodate a single controller with your customized sample stream configuration.

Sample streams can include isolation valves, strainer, back check, quick release injection tees, corrosion coupon holders and a bleed-off leg.

