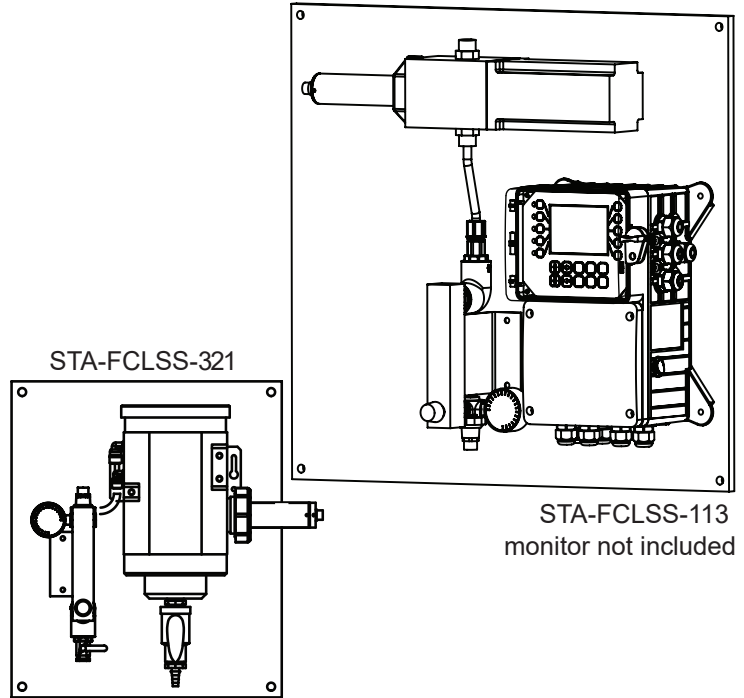


STA Oxidizer Sensors

*Free Chlorine,
ClO₂, Bromine,
Monochloramine,
Sulfite, Total
Chlorine*



Key Features

- Accurate In-Line Measurement
- Compact Design
- Quick Release Tee
- Solid State Design
- Simple 4-20mA Outputs
- Easy Connection to MegaTron Controllers

Application

The STA Oxidizer membrane-less, sensors produce reliable free chlorine, chlorine dioxide, bromine, and pH readings for a wide range of applications. Temperature and pH compensation results in highly accurate oxidizer measurement.

A replaceable, front loading reference electrode assembly eliminates membranes and gel refilling while offering reduced polarization time on startup.

Applications include a wide range potable, domestic decorative water and other clean water applications. Cooling tower systems should always be used with the motorized auto cleaning option.

Advantage Controls makes integration simple and convenient with our pre-fab options.

Model Numbering

STA - - - - -

Oxidizer Type

- XXXXX = No sensor
FCL = Free chlorine & pH SS sensor (40-104°F, 30 PSI, 0.25 GPM max) 0-5 PPM
CLO = CLO2 & pH SS sensor (40-104°F, 30 PSI, 0.25 GPM max) 0-5 PPM
BRO = Bromine & pH SS sensor (40-104°F, 30 PSI, 0.25 GPM max) 0-5 PPM
NCL = Monochloramine/pH (40-104°F, 30 PSI, 0.25 GPM max) 0-5 PPM (SS only)
SO3 = Sulfite & pH SS sensor (40-104°F, 30 PSI, 0.25 GPM max) 0-5 PPM
TCL = Total chlorine & pH SS sensor (40-104°F, 30 PSI, 0.25 GPM max) 0-5 PPM
TFC = Total & free chlorine SS sensor (40-104°F, 30 PSI, 0.25 GPM max) 0-5 PPM

Sensor Body

- SS** = Original 304 SS body **6S** = New 304 SS body **P** = UPVC body (FCL only)

Flow Cell

- X** = No flow cell
1 = Self cleaning flow cell only (dirty/tower water)
2 = Self cleaning flow cell with 24 VDC power supply (dirty/tower water)
3 = Clean water single-sensor flow cell with no cleaning motor or brush for clean water
4 = Clean water dual-sensor flow cell with no cleaning motor or brush for clean water
5 = Self cleaning with 24 VDC and auto flow control cell

Wiring

- X** = No pre-wiring **3** = No pre-wiring w/ bluetooth module
1 = Oxidizer mA output pre-wired **4** = Oxidizer mA output pre-wired w/ bluetooth module
2 = Oxidizer & pH mA output pre-wired **5** = Oxidizer & pH mA output pre-wired w/ bluetooth module

Plumbing (1, 2, & 3 include pressure regulator, gauge, 0-1 GPM flow indicator and 0.25 flow switch)

- X** = No plumbing
1 = Pre-plumbed on a separate pre-fab
2 = Pre-plumbed on white poly panel (not space for monitor/controller), 22"T x 22"W
3 = Pre-plumbed with all fixtures on blue poly with space for separately ordered XS controller: 22"T x 24"W
4 = Pre-plumbed with all fixtures on blue poly with no space for monitor

Specifications	
Oxidizer Range	0.00-5.00 PPM
Oxidizer Precision	± 0.01 mg/L or 1% of the value w/ pH compensation up to 9.0
pH Range	0-14
pH Precision	±0.01 pH
Sample Inlet Pressure	7.25 – 30 PSI (0.05 – 0.2MPa)
Minimum Flow Rate	600 mL/minute
Maximum Flow Rate	1800 mL/minute
Sample Inlet	¼ - inch OD
Sensor Power Supply	22 – 26 VDC, Power Consumption 2W
Motorized Brush	24 VDC, <5W
Storage Temperature	-7°C – 60°C (20 – 140°F)
Outputs	Dual Isolated 4 – 20 mA Analog Outputs + Isolated RS-485 Digital Output
Sensor Dimension	Length 8.3 inch (210.8 mm), body diameter 1.4 Inch (35.6 mm)
Sensor Weight	530g (1.16lbs)
Operating Temperature	4°C – 40°C (40 – 104°F)
Wet Material	UPVC
Rating	IP67, Fully Dustproof & Waterproof
Compliance	EPA 334.0 / ISO 7393
Regulation	CE Marked / RoHS
Typical Electrode Service Life	2 years
Electrode Warranty	6 Months
Sensor Body Warranty	13 Months

Get the Advantage



4700 Harold-Abitz Dr
 Muskogee, OK 74403
 918-686-6211 Phone
 888-686-6212 Fax
www.advantagecontrols.com