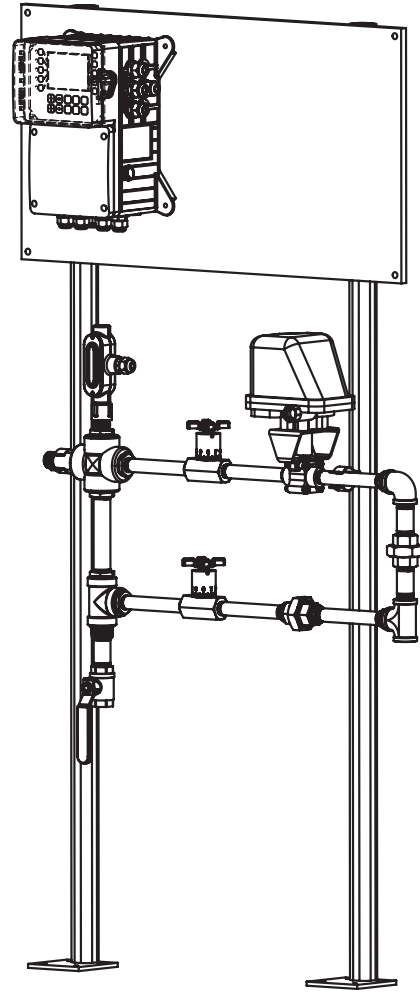


# Boiler Valve Stand

## *Free Standing Boiler Valve Assemblies*



## Key Features

- Simplify Installation
- Convenient Access
- Save Time & Money
- Professional Appearance
- Sample Stream Options
- Insures Configuration
- Corrosion Resistant Panel

## Application

Advantage Controls BVS boiler prefab systems simplify boiler installations ensuring that controller, probe and blowdown valve are properly configured and wired.

BVS prefabs include a blowdown valve, throttling valve, probe cross with flush / sample valve mounted to 6' tall powder coated steel legs with floor mounts. There is a ½" blue poly panel section included for mounting separately ordered controller.

Give all of your boiler installations a professional appearance with the BVS.

## Build a Model

**BVS-30-30** uses MBWB-1/2 & NFC -1/2  
**BVS-50-30** uses MBV-050 & NFC -1/2

## Options

- B** Bypass line with second NFC-1/2
- B3** Bypass line with probe on lower level w/ second NFC-1/2
- C** Continuous configuration w/ second NFC-1/2
- C1** Continuous configuration w/ second NFC-1/2 & MBWB-1/2
- C2** Continuous configuration w/second NFC-1/2 & MBV-050
- D** Adds a second sample stream & valves
- D1** Adds a second sample stream with MBV-050

Typical shipping weight..... 180lbs

## Valve Specifications

### MBV-050

Max Fluid Temp. .... 459°F  
 Max Boiler Pressure ..... 325 PSIG  
 Valve Body..... Carbon Steel  
 Ball & Stem..... 316 SS  
 Seals..... Teflon  
 Shipping Weight ..... 9 lbs.  
 Actuator Ambient Max. .... 150°F  
 Standard Electrical .. 120 VAC 2.3 Amp  
 Sizes Available ..... 1/2"



### MBWB

Max Fluid Temp. .... 459°F  
 Max Boiler Pressure ..... 450 PSIG  
 Valve Body..... Carbon Steel  
 Ball & Stem..... 316 SS  
 Seals..... Teflon  
 Shipping Weight ..... 9 lbs.  
 Actuator Ambient Max. .... 150°F  
 Standard Electrical .. 120 VAC 2.3 Amp  
 Sizes Available ..... 1/2" & 3/4"



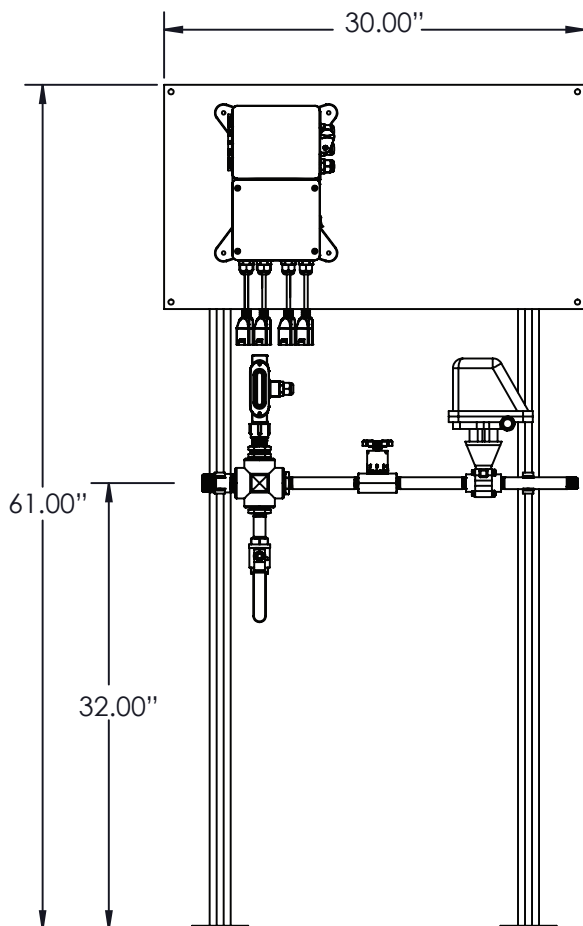
### NFC

Max Fluid Temp ..... 600°F  
 Max Boiler Pressure ..... 5,000 PSIG  
 Body ..... Carbon Steel  
 Stem ..... 304 Stainless Steel  
 Shipping Weight ..... 4 lbs.  
 Sizes Available ..... 1/2" & 3/4"



### LBC-SS

Max Fluid Temp ..... 750°F  
 Max Boiler Pressure ..... 2,500 PSIG  
 Body ..... Carbon Steel  
 Stem ..... 316 SS  
 Shipping Weight ..... 13 lbs.  
 Sizes Available ..... 12"



**Get the Advantage**

