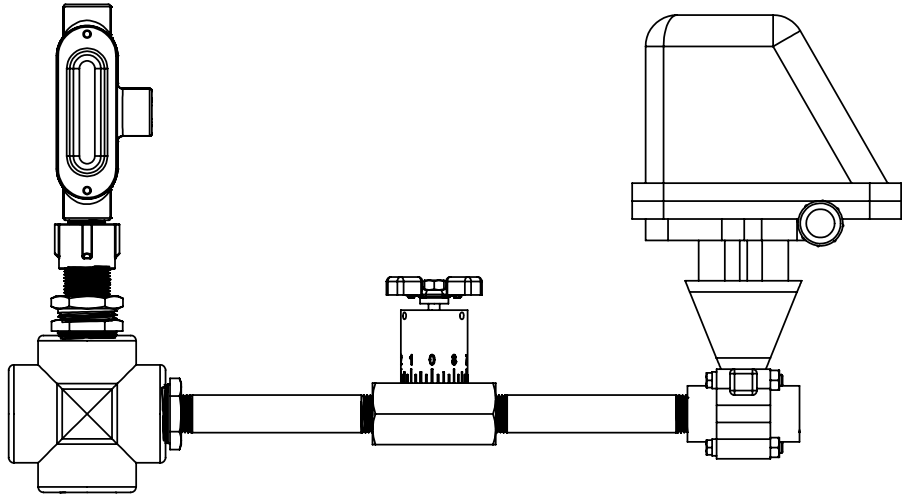


AVP

Boiler Blowdown Valve Packages



AVP valve packages take the guess work out of blowdown plumbing configurations. AVP's are factory pre-assembled to meet your boiler application pressure requirements complete with the probe cross (probe not included) and correct pipe lengths between components. Make installations even easier using prefabricated option P and we will pre-wire and mount your controller.

Model Number

AVP- _____ - _____

Electric Blowdown Valve

- 20** = SVB-050 1/2" brass solenoid valve, 0-140 psi max
- 30** = MBWB-1/2 motorized ball valve SS, 360° actuator, 450 psi max
- 40** = MBWA-1/2 motorized ball valve SS, 90° actuator, 450 psi max
- 50** = MBV-050 motorized ball valve SS, 325 psi max
- 60** = SOB-1/2 brass solenoid valve, 0-140 psi max

Flow Restricting Device

- 00** = AOU-1 orifice union with 4 plates, 1000 psi
- 30** = NFC-1/2 needle flow control valve, 5000 psi max

Optional Features

- A** = Adds second flow restricting device for continuous sampling
- C** = 3/4" probe tee instead of 1"
- F** = Add a 3/4" flush ball valve on bottom of probe cross
- Y1** = Add 3/4" Y-strainer with flush valve before blowdown valve
- P** = Mount AVP and separately ordered controller onto poly board and pre-wire
- P1** = Mount AVP and separately ordered controller & sample cooler onto poly board & pre-wire

Note: Change 2nd digit of code to 1 for 3/4" connection, if available add individual valve price difference: AVP-61-11

Specifications

The specifications of your AVP will depend on the individual items selected. The total shipping weight will be the total of the two valves selected plus approximately 9 pounds (Option P will be more).

MBWB

Max Fluid Temp. 459°F
 Max Boiler Pressure 450 PSIG
 Valve Body..... Carbon Steel
 Ball & Stem..... 316 SS
 Seals..... Teflon
 Shipping Weight 9 lbs.
 Actuator Ambient Max. 150°F
 Standard Electrical .. 120 VAC 2.3 Amp
 Sizes Available ½" & ¾"



MBV-050

Max Fluid Temp. 459°F
 Max Boiler Pressure 325 PSIG
 Valve Body..... Carbon Steel
 Ball & Stem..... 316 SS
 Seals..... Teflon
 Shipping Weight 9 lbs.
 Actuator Ambient Max. 150°F
 Standard Electrical .. 120 VAC 2.3 Amp
 Sizes Available ½"



SVB-050

Max Fluid Temp. 366°F
 Max Boiler Pressure 0-140 PSIG
 Valve Body..... Brass
 Seals..... Teflon
 Shipping Weight 3 lbs.
 Standard Electrical 120 VAC
 Size Available ½"



MBWA

Max Fluid Temp. 459°F
 Max Boiler Pressure 450 PSIG
 Valve Body..... Carbon Steel
 Ball & Stem..... 316 SS
 Seals..... Teflon
 Shipping Weight 12 lbs.
 Actuator Ambient Max. 150°F
 Standard Electrical .. 120 VAC 2.3 Amp
 Sizes Available ½" & ¾"



AOU-1

Max Fluid Temp. 500°F
 Max Boiler Pressure 1000 PSIG
 Body Carbon Steel
 Plates..... 316 Stainless Steel
 Orifice Sizes ⅛", ⅜", ¼", ⅝"
 Shipping Weight 3 lbs.
 Sizes Available ¾" & 1"



SOB

Max Fluid Temp. 356°F
 Max Boiler Pressure 0-140 PSIG
 Valve Body..... Brass
 Seals..... Teflon
 Shipping Weight 3 lbs.
 Standard Electrical 120 VAC
 Sizes Available ½" & ¾"



Boiler Blowdown Requirement Calculation

A boiler's blowdown configuration (timed or continuous) is determined by the blowdown requirement in pounds of steam per hour. Using the following information:

1. Boiler steam output H.P. x 34.5 = steam output/hour
2. Make-up of water in pounds/hour based on percentage of return condensate
3. Cycles of conductivity concentration

$$\text{Steam output/hr} \times \left(1 - \frac{\% \text{ Condensate}}{100\%} \right) = \text{Make-up water (lbs/hr).}$$

$$\text{Make-up} \times \left(\frac{1}{\text{Cycles} - 1} \right) = \text{Blowdown required (lbs/hr).}$$

Boilers under 5,000 lbs/hr blowdown use timed sampling. If over 5,000 lbs/hr, continuous sampling is recommended.

NFC

Max Fluid Temp 600°F
 Max Boiler Pressure 5,000 PSIG
 Body Carbon Steel
 Stem 304 Stainless Steel
 Shipping Weight 4 lbs.
 Sizes Available ½" & ¾"



Get the Advantage



4700 Harold-Abitz Dr
 Muskogee, OK 74403
 918-686-6211 Phone
 918-686-6212 Fax
www.advantagecontrols.com