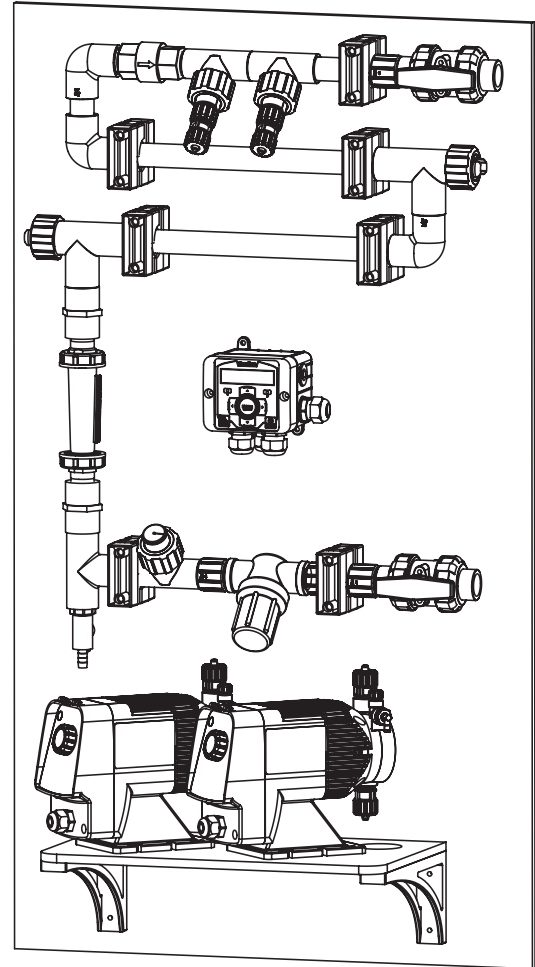


Loop Guard

Closed Loop Corrosion Monitoring and Feed Panels



Key Features

- Simplify installation
- Convenient Configuration
- Sample Stream Options
- Customize to your System
- Corrosion Resistant Panel
- Save Time and money
- Professional appearance

Application

Loop Guard prepackaged units provide a more professional approach to closed loop feed and monitoring. A Loop Guard and separately ordered NanoTron and/or pumps allow for automated feed of closed loop treatment. Add NanoTron corrosion monitors for an even higher level of automation.

Loop Guard prepackaged closed loop systems provide an all-in-one panel with coupon holders and isolation valves with options for injection tees, sample port, back check, and more.

Customize your Corrosion Loop Guard Prepackaged Unit

Build a Model

CLG - _____ - _____

Loop Material and # of Coupons (2 injection tees included)

	3/4" PVC	1" PVC	3/4" Iron	1" Iron	3/4" SS
2 holders	A2	A12	A22	A32	A42
3 holders	A3	A13	A23	A33	A43
4 holders	A4	A14	A24	A34	A44
5 holders	A5	A15	A25	A35	A45

Corrator Sensor Ports

B = (2) Advantage quick release 3/4" PVC
B1 = (2) Advantage quick release 1" PVC
B2 = (2) 1" FNPT ports in 1" tee
B4 = (2) 1" FNPT port in 1" iron tee
B5 = (2) 1" FNPT port in 1" SS tee

Controller Space & Mounting Hardware (order controller and/or pumps separately)

C0 = No controller space
C1 = Room for 1 NanoTron
C2 = Room for 2 NanoTrons
C3 = Room for 3 NanoTrons
C4 = Room for 1 MegaTron XS

Sensor Tees

D = (1) 3/4" PVC quick release
D2 = (2) 3/4" PVC quick releases
D3 = (1) 1" Iron tee
D4 = (2) 1" Iron tees
D4 = (1) 1" SS tee
D6 = (2) 1" SS tees

Strainer Options

E = 3/4" basket
E1 = 3/4" flushable Y
E2 = 1" basket
E3 = 3/4" Black iron
E4 = 10" poly filter cold (3/4")
E5 = 10" poly filter hot (3/4") 120 PSI @160°F
E6 = 3/4" SS strainer (120 PSI @ 160°F)

Flow Indicator 1-10 GPM

F = 3/4"
F2 = 3/4" 145 PSI @ 212°F
F3 = 3/4" w/ flow switch

Flow Restrictor 1-10 GPM

G = 3/4" PVC, 3 GPM
G1 = 3/4" PVC, 5 GPM
G5 = 3/4" brass, 8 GPM
G3 = 3/4" Brass, 3 GPM
G4 = 3/4" Brass, 5 GPM
G6 = 3/4" SS, 5 GPM

Loop Direction: Standard is in and out on the right.

K = In/Out left
K1 = Left to Right
K4 = Right to Left

Injection	3/4" PVC	1" PVC	3/4" Black Iron	1" Iron	3/4" SS
1 tee	N1	N11	N21	N31	N41
2 tees	N2	N12	N22	N32	N42

Options

L = Clear pipe over holders on PVC
P = 2 pump shelf
P1 = 2 pump shelf with SS brackets
Q = Poly back check
R = Mounting rails
U = 1/2" blue poly panel
W = Free standing legs

Get the Advantage



4700 Harold Abitz Dr
 Muskogee, OK 74403
 918-686-6211 phone
 888-686-6212 fax
 www.advantagecontrols.com