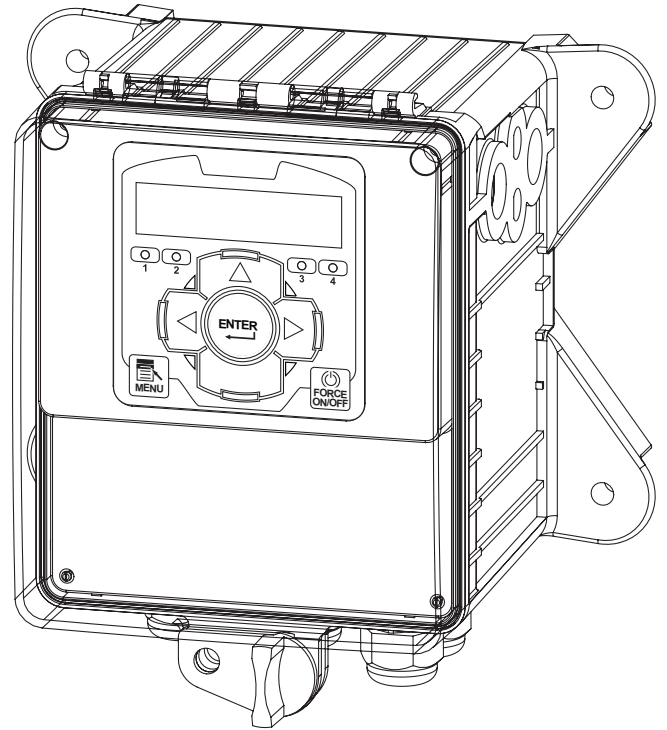


NANOXL Controller

Microprocessor Control of:

- **Conductivity**
- **Feed Timer**
 - Pulse
 - 28-Day
 - Recycle
 - Post Bleed



Key Features

- Compact Design
- Simple Step Through Menu
- NEMA 4X Style Enclosure
- Raised Dome Keypad
- Non-Volatile Memory
- Water Meter Totalizer
- 2 Year Warranty
- Available Flow Switch
- Prewired Configuration

Application

The NANOXL is a compact, four relay microprocessor-based controller with many standard features. NANOXL models are available to control conductivity and three selectable feed timers, or four independently programmable feed timers.

The NANOXL platform provides an economical option for conductivity control of a cooling tower or other recirculating water system. Selectable feed timer options include: pulse, 28-day, recycle and post bleed, with bleed.

The next generation of NanoTron controllers can control tower or other system functions including: conductivity and a variety of selectable chemical feed timers. Each system control function drives a relay. NANOXL's come with four (4) relay outputs.

Choose a base model and add desired options.

BASE MODELS

Model **NANOXL-** _____ - _____

Tower Conductivity Control & 3 Feed Timers

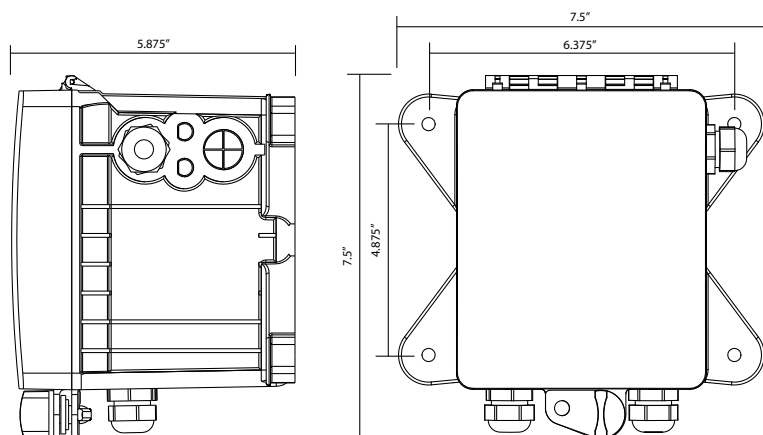
- C = TE-4A Standard Tower probe; 140°F and 150 PSI max
- C0 = Tower Conductivity no probe
- C1 = TE-4ASS Standard Tower probe with S. Steel Tips; 140°F and 150 PSI max
- C3 = AH-4ASS 212°F and 250 PSI max
- C5 = DC-4ASS Tank mount with S. Steel Tips; 190°F max

Model **NANOXL-F4-** _____

Four Selectable Feed Timers (F4)

OPTIONS

- A = 100-240 volt conduit connections
- A3 = 100-240 volt conduit connections and CE approval
- A7 = Australian power cord (240 VAC)
- E = Standard float style flow switch assembly (towers); 140 PSI @ 75°F
- E3 = Paddle flow switch with PVC flow assembly; 140 PSI @ 75°F
- E4 = Paddle flow switch with PVC flow assembly (unassembled with 10' cord); 140 PSI @ 75°F
- E5 = Paddle flow switch with brass assembly; 250 PSI @ 75°F (order appropriate probes)
- E6 = Flow switch connection only with cable
- E8 = Standard float switch assembly (unassembled with 10' cord); 140 PSI @ 75°F
- E11 = Flow indicator (0-10) with adjustable switch, PVC assembly; 100 PSI @ 125°F



Specifications

Electrical

- Input: 95-240 VAC, 50/60 Hz
- Control: Equal to input voltage (95-240 VAC) fused at 2.5A per relay; Prewired units are supplied with an 8' (248.84 cm) power cord and 8" (20.32 cm) output receptacles.
- Water Meter: Dry contact, Hall-effect; +5 VDC input

Operational

- **Conductivity Scale Ranges:**
 - Low:** 5-1,000µS
 - Mid:** 100-5,000µS
 - High:** 1,000-20,000µS for towers
1,000-10,000µS for boilers
- **Display:** LCD 1 x 16 backlit alphanumeric

Timers included in all models:

- **Pulse:** 1-9999 counts, MM:SS run time
- **Recycle:** HH:MM off cycle, MM:SS on cycle
- **28-Day:** Weeks, Days, HH:MM run time

Conductivity models also include:

- **With Bleed:** HH:MM limit time
- **Post Bleed:** 0-100%, HH:MM limit time

Enclosure

Heavy Duty NEMA 4X style, high impact thermoplastic with padlockable gasketed Lexan viewing door

Environment

Ambient temperature: 0° to 125°F (-17 to 52°C)
Relative humidity: 0 to 100%

Electrode

Standard tower electrode is supplied in a 3/4" (1.91 cm) Sch. 80 PVC female slip tee with quick release nut.

- **TE-4A** 150 psi (10.3 bar) / 140°F (60°C) max
- **DC-4A** 180°F (82.22°C) max tank mount electrode
- **AH-4ASS** 212°F and 250 PSI max

Dimensions

W 7.5" (19.05 cm)
H 7.5" (19.05 cm)
D 5.875" (14.923 cm)

Shipping Weight

6 lbs. (2.722 kg) approx.

Get the Advantage



4700 Harold-Abitz Dr
Muskogee, OK 74403
800-743-7431 phone
888-686-6212 fax
www.advantagecontrols.com