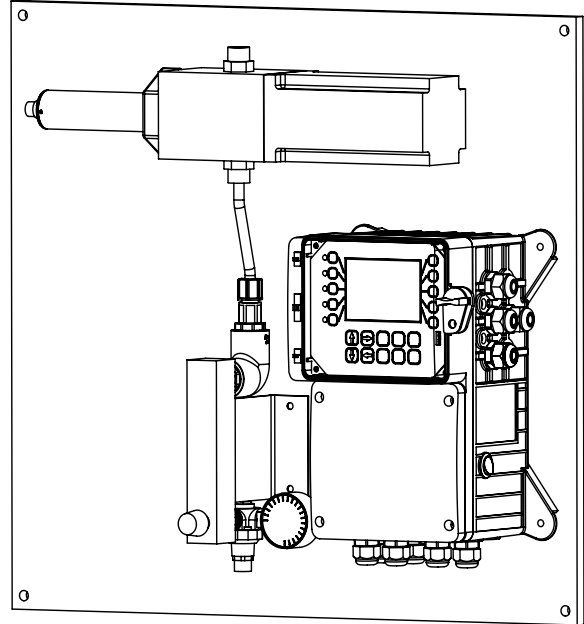


# STA Oxidizer Sensors

## *Free Chlorine, ClO<sub>2</sub>, & Bromine Control*



STA-FCLSS-113 depicted

## Key Features

- Accurate In-Line Measurement
- Compact Design
- Quick Release Tee
- Solid State Design
- Simple 4-20mA Outputs
- Easy Connection to MegaTron Controllers

## Application

The STA Oxidizer membrane-less, sensors produce reliable free chlorine, chlorine dioxide, bromine, and pH readings for a wide range of applications. Temperature and pH compensation results in highly accurate oxidizer measurement.

A replaceable, front loading reference electrode assembly eliminates membranes and gel refilling while offering reduced polarization time on startup.

Applications include a wide range potable, domestic decorative water and other clean water applications. Cooling tower systems should always be used with the motorized auto cleaning option.

Advantage Controls makes integration simple and convenient with our pre-fab options.

## Model Numbering

STA - - - - -

### Oxidizer Type

- XXXXX = No sensor  
 FCL = Free chlorine & pH SS sensor (40-104°F, 30 PSI, 0.25 GPM max) 0-5 PPM  
 CLO = CLO2 & pH SS sensor (40-104°F, 30 PSI, 0.25 GPM max) 0-5 PPM  
 BRO = Bromine & pH SS sensor (40-104°F, 30 PSI, 0.25 GPM max) 0-5 PPM

### Sensor Body

- SS = 304 Stainless steel                      P = UPVC

### Flow Cell

- X = No flow cell  
 1 = Self cleaning flow cell only (for tower water)  
 2 = Self cleaning flow cell with 24 VDC power supply (for tower water)  
 3 = Clean water single sensor flow cell with no cleaning motor or brush for clean water  
 4 = Clean water dual-sensor flow cell with no cleaning motor or brush for clean water  
 5 = Self cleaning with 24 VDC and auto flow control cell

### Wiring

- X = No pre-wiring                                      3 = No pre-wiring w/ bluetooth module  
 1 = Oxidizer mA output pre-wired              4 = Oxidizer mA output pre-wired w/ bluetooth module  
 2 = Oxidizer & pH mA output pre-wired      5 = Oxidizer & pH mA output pre-wired w/ bluetooth module

### Plumbing (1, 2, & 3 include pressure regulator, gauge and 0-1 GPM flow indicator)

- X = No plumbing  
 1 = Pre-plumbed on a separate pre-fab  
 2 = Pre-plumbed on white poly panel (not space for monitor), 22"T x 22"W  
 3 = Pre-plumbed on blue poly with space for separately-ordered XS controller: 22"T x 24"W

### Replacement Parts

- A-EH-765 = Replacement sensor tip for STA-FCLS or STA-CLOSS sensor  
 A-FRP-300-1 = Replacement brush

Specifications	
Oxidizer Range	0.00-5.00 PPM
Oxidizer Precision	± 0.01 mg/L or 1% of the value w/ pH compensation up to 9.0
pH Range	0-14
pH Precision	±0.01 pH
Sample Inlet Pressure	7.25 – 30 PSI (0.05 – 0.2MPa)
Minimum Flow Rate	200 mL/minute
Maximum Flow Rate	400 mL/minute
Sample Inlet	¼ - inch OD
Sensor Power Supply	22 – 26 VDC, Power Consumption 2W
Motorized Brush	24 VDC, <5W
Storage Temperature	-7°C – 60°C (20 – 140°F)
Outputs	Dual Isolated 4 – 20 mA Analog Outputs + Isolated RS-485 Digital Output
Sensor Dimension	Length 8.3 inch (210.8 mm), body diameter 1.4 Inch (35.6 mm)
Sensor Weight	530g (1.16lbs)
Operating Temperature	4°C – 40°C (40 – 104°F)
Wet Material	UPVC
Rating	IP67, Fully Dustproof & Waterproof
Compliance	EPA 334.0 / ISO 7393
Regulation	CE Marked / RoHS
Typical Electrode Service Life	2 years
Electrode Warranty	6 Months
Sensor Body Warranty	13 Months

**Get the Advantage**



4700 Harold-Abitz Dr  
 Muskogee, OK 74403  
 918-686-6211 Phone  
 888-686-6212 Fax  
[www.advantagecontrols.com](http://www.advantagecontrols.com)