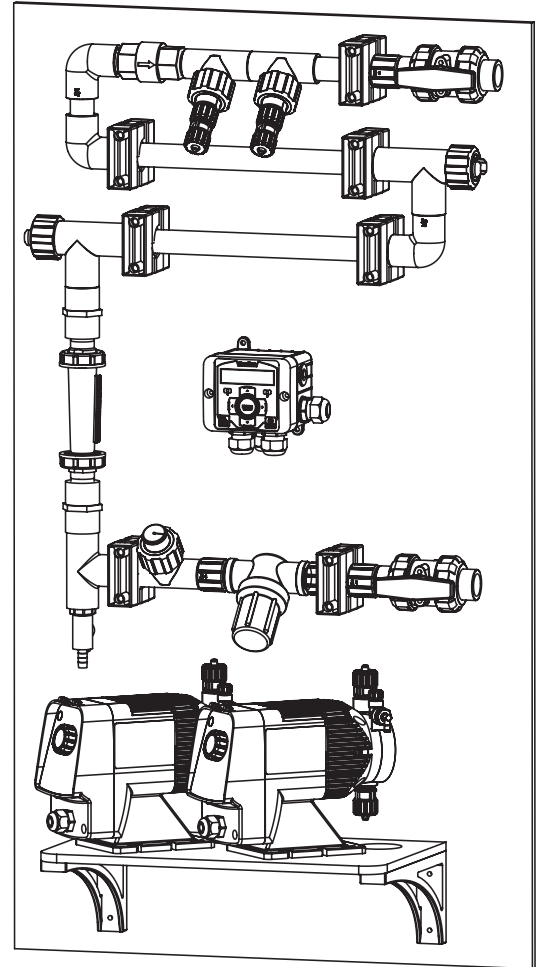


Loop Guard

Closed Loop Corrosion Monitoring and Feed Panels



Key Features

- Simplify installation
- Convenient Configuration
- Sample Stream Options
- Customize to your System
- Corrosion Resistant Panel
- Save Time and money
- Professional appearance

Application

Loop Guard prepackaged units provide a more professional approach to closed loop feed and monitoring. A Loop Guard and separately ordered NanoTron and/or pumps allow for automated feed of closed loop treatment. Add NanoTron corrosion monitors for an even higher level of automation.

Loop Guard prepackaged closed loop systems provide an all-in-one panel with coupon holders and isolation valves with options for injection tees, sample port, back check, and more.

Customize your Corrosion Loop Guard Prepackaged Unit

Build a Model

CLG - _____ - _____

Loop Material and # of Coupons (2 injection tees included)

	3/4" PVC	1" PVC	3/4" Iron	1" Iron	3/4" SS
2 holders	A2	A12	A22	A32	A42
3 holders	A3	A13	A23	A33	A43
4 holders	A4	A14	A24	A34	A44
5 holders	A5	A15	A25	A35	A45

Corrator Sensor Ports

- B** = (2) Advantage quick release 3/4" PVC
- B1** = (2) Advantage quick release 1" PVC
- B2** = (2) 1" FNPT ports in 1" tee
- B4** = (2) 1" FNPT port in 1" iron tee
- B5** = (2) 1" FNPT port in 1" SS tee

Controller Space & Mounting Hardware (order controller and/or pumps separately)

- C0** = No controller space
- C1** = Room for 1 NanoTron
- C2** = Room for 2 NanoTrons
- C3** = Room for 3 NanoTrons
- C4** = Room for 1 MegaTron XS

Sensor Tees

- D** = (1) 3/4" PVC quick release
- D2** = (2) 3/4" PVC quick releases
- D3** = (1) 1" Iron tee
- D4** = (2) 1" Iron tees
- D4** = (1) 1" SS tee
- D6** = (2) 1" SS tees

Strainer Options

- E** = 3/4" basket
- E1** = 3/4" flushable Y
- E2** = 1" basket
- E3** = 3/4" Black iron
- E4** = 10" poly filter cold (3/4")
- E5** = 10" poly filter hot (3/4")
120 PSI @160°F

Flow Indicator 1-10 GPM

- F** = 3/4"
- F2** = 3/4" 145 PSI @ 212°F
- F3** = 3/4" w/ flow switch

Flow Restrictor 1-10 GPM

- G** = 3/4" PVC 3 GPM
- G1** = 3/4" PVC 5 GPM
- G3** = 3/4" Brass 3 GPM
- G4** = 3/4" Brass 5 GPM

Loop Direction: Standard is in and out on the right.

- K** = In/Out left
- K1** = Left to Right
- K4** = Right to Left

Injection	3/4" PVC	1" PVC	3/4" Black Iron	1" Iron	3/4" SS
1 tee	N1	N11	N21	N31	N41
2 tees	N2	N12	N22	N32	N42

Options

- L** = Clear pipe over holders on PVC
- P** = 2 pump shelf
- P1** = 2 pump shelf with SS brackets
- Q** = Poly back check
- R** = Mounting rails
- U** = 1/2" blue poly panel
- W** = Free standing legs

Get the Advantage



4700 Harold Abitz Dr
Muskogee, OK 74403
800-743-7431 phone
888-686-6212 fax
www.advantagecontrols.com