

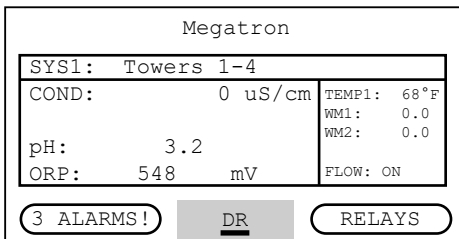
Web Connectivity via Cell ROUTER-3 Internet

Our cell router packages are a plug and play setup. The controller CAT5 is connected to the ROUTER-3 CAT5 via a coupler. Then plug in the ROUTER-3's electrical cord to power.

Troubleshooting (additional on back)

Step 1:

This is the **RUN** Screen. When the controller is communicating with our network correctly, there will be a steady DR (DA) code displayed. If the code alternates DR/DL (or a steady DC) this usually means that the cellular signal is not strong enough. The ROUTER-3 box and antenna may need to be relocated to an area of regular cell reception. CAT5 cable run over 328 ft. requires a repeater or switching appliance.



Other codes that may be present:

- NC** = Talking to ICM but not connected ^{1,3}
- DR (DC)** = DHCP remote connect (+WebAdv)
- DA** = DHCP WebAdv connection & authent.
- DL** = DHCP local connection
- SR (SC)** = Static remote connect (+WebAdv) ²
- SA** = Static WebAdv connection & authent. ²
- SL** = Static local connection ²
- FL** = DHCP failed local connection ³
- CS** = No communication card detected ⁴

¹ Diagnostics - Only shows on startup/boot.

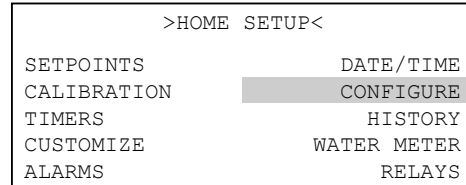
² Controller assigned static IP (DHCP:Off). Not used with cellular connections. Enable DHCP as directed in Steps 2 through 4.

³ No network detected or CAT5 cable not plugged in.

⁴ If a card is present and you are getting CS, check that the comm card is properly seated into the carrier board. This may loosen in shipment. On MG and XS units make sure the board is seated in all the way (with power off). On SS units make sure ribbon cable to carrier board is plugged in correctly.

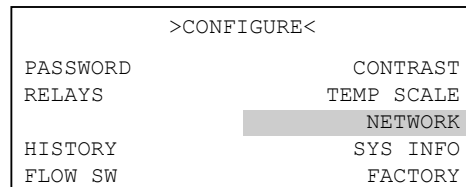
Step 2:

Push the **SET UP RUN** button to get this screen. From here push **CONFIGURE** (Button 7) to go to the next screen.



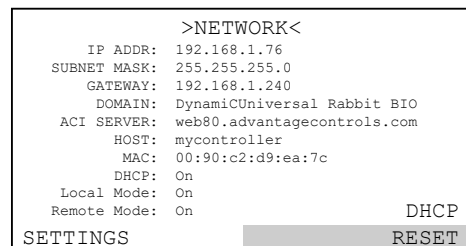
Step 3:

This is the Configure Screen. From here push **NETWORK** (Button 8) to go to the next screen.



Step 4:

This is the Network Summary Screen. This screen is a summary of the currently assigned controller network settings. When connected to the cellular modem, these numbers will auto populate. Note: Any changes beyond this point require **RESET** (Button 0) to be pressed and a 60 second restart countdown will begin.



If you are getting a DR (DA) or SR (SA) and cannot see the controller on the WebAdvantage summary screen, please check with us to see if you have submitted the connection sheet correctly. If you have not filled out the connection sheet, you can do so online at... www.advantagecontrols.com/request_webadv_connect.php

Additional Troubleshooting:

Open front panel of ROUTER-3 to reveal connections and LED lights.

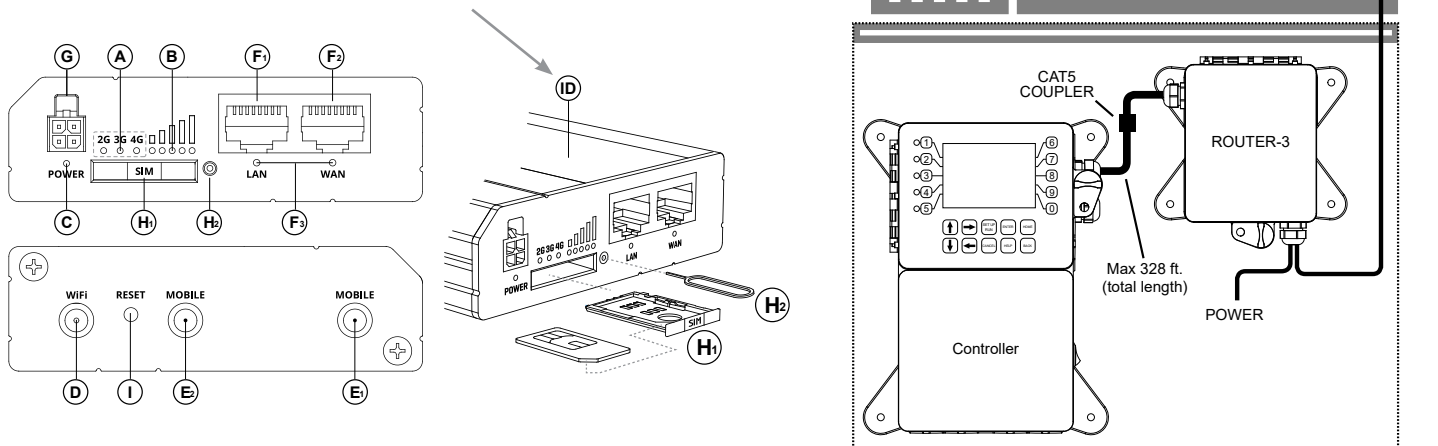
LED	Description	
A - Service LED	Indicates LTE interface availability and use. * Allow up to 5 minutes for the connections to WebAdvantage & the cellular network to be established.	Off = No Cellular Service
B - Signal LED	Indicates strength of cellular signal.	Strength weak (left) to strong (right))
C - Power LED	Device power indicator.	Off = No Power Green = Powered

General	Description	
D - WIFI antenna	Not used	
E1 - Mobile antenna	Antenna Connection * Antenna wire length approx. 9 ft. E2 not used.	<ul style="list-style-type: none"> - Ensure cable is properly threaded. - Check for frayed or damaged wire. - Move to location optimal for cell reception. - Do not splice antenna wire to extend length. Instead, extend CAT5 up to 328 ft. max.
F1 - Ethernet	CAT5 connection to controller. F2 not used. F3 status indicator light.	CAT5 can be extended up to 328 ft. before signal repeater is required.
G - Power Cord	* Only use supplied power cord.	
H - SIM Card Tray	Mini-SIM (2FF). H2 will eject tray. * SIM edge must match SIM card slot.	
I - Reset (Pin Hole)	Not used	

Note:

Please have ID number available when calling in for troubleshooting. This allows us to identify the specific line and carrier.

The ID number can be found inside of the ROUTER-3 enclosure, attached to the top of the cell router.



Get the Advantage



4700 Harold Abitz Dr
Muskogee, OK 74403
918-686-6211 phone
918-686-6212 fax
www.advantagecontrols.com