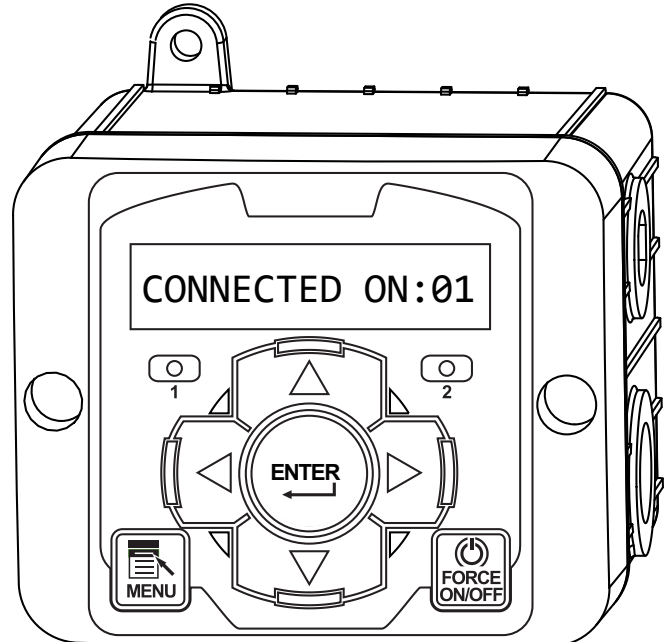


ZIG-NANO

Wireless Transmit:

- **Water Meter Signals**
- **Relay Activation**



Key Features

- Compact Design
- Simple Step Through Menu
- NEMA 4X Style Enclosure
- Point to Point Radio Operation
- 2 Wireless Water Meter Signals
- 2 Wireless Control Relays
- Prewired Configuration

Application

The ZIG-NANO accessory device creates a license free point to point wireless radio network between the ZIGB base unit and ZIGR remote unit. Transmit up to 3,000 feet unobstructed line of sight.

Wirelessly send up to two water meter or other dry contact switch closures and control two powered or dry contact relay outputs. Simply wire a water meter signal into the ZIGR and receive it at the ZIGB and wire out to your water treatment controller's water meter input.

Build a Model

A base and remote unit are needed to create a wireless configuration:

ZIGB-NANO = Base unit with 2 water meter pulse outputs, 2 dry contact inputs

ZIGR-NANO = Remote unit with 2 water meter inputs and 2 control relay outputs

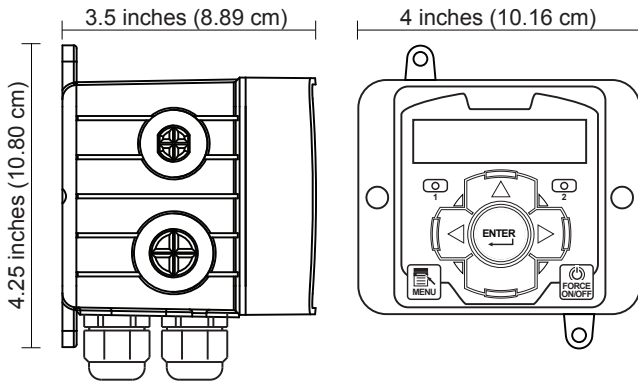
Options

- A** = 120 VAC conduit connections
- A3** = Liquid tight only
- A7** = Australian power cord (240 VAC)

Typical Configurations

Water Meter Transmitting – Wire one or two water meters into the ZIGR and wire the water meter pulse outputs from the ZIGB into a controller’s water meter input.

Control Relay Transmitting – Convert a controller’s control relay to a dry contact and wire it into the ZIGB dry contact inputs and select which of the two pre-wired powered relay’s in the ZIGR it will activate.



Specifications

Electrical

- **Input:** 100-240 VAC, 50/60 Hz
- **Control:** Input VAC, 3 Amp / relay
Prewired units are supplied with an 8’ (248.84 cm) power cord and 8” (20.32 cm) output receptacles.
- **Water Meter:** Dry contact

Transmitter:

- Radio Frequency: 2.4 GHz
- RF data rate: 250 kbps
- Receive sensitivity: -100 dbm
- Distance: 3,000 feet line of sight

Operational

- **Output:**
1 scalable pulse output
- **Display:** LCD 1 x 16 backlit alphanumeric

Enclosure

NEMA 4X style high impact thermoplastic

Environment

- Ambient temperature: 0° to 120°F (-17 to 52°C)
- Relative humidity: 0 to 100%

Shipping Weight: Approx. 2 lbs. (0.91 kg)
W Option: 6 lbs.

Dimensions:

Width:	4” (10.16 cm)	W Option	7.5” (19.0 cm)
Height:	4.25” (10.80 cm)		7.5” (19.0 cm)
Depth:	3.5” (8.89 cm)		5.9” (14.9 cm)

Get the Advantage



4700 Harold-Abitz Dr
 Muskogee, OK 74403
 918-686-6211 phone
 888-686-6212 fax
www.advantagecontrols.com