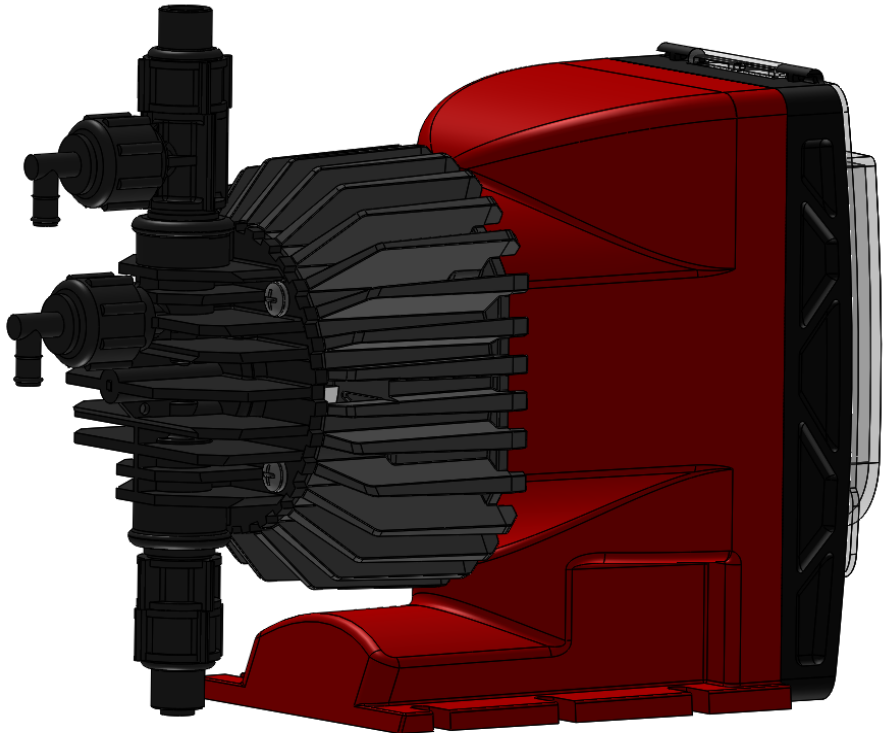


# Degassing Head

## Auto-Priming Pump Head



## Key Features:

- PVDF Construction
- Pressure Relief Valve
- Fast Prime Valve
- Auto Degassing
- Assemblies Available for Existing Pumps

## Application

Advantage Controls' degassing valve head design provides a simple pumping solution for difficult products like sodium hypochlorite and hydrogen peroxide.

The degassing valve allows air to be vented while pumping with a precise check ball movement to minimize fluid returned to the tank. This auto priming action ensures that pumps stay primed even during extended idle periods.

Chemical discharge to the system is still out of the top of the pump head and a convenient pressure relief and discharge line drain valve is provided.

# Build a Model

Build your desired pump model number and use the "D" designator for the head material position.

Example: B130X1-DVCV

## STEP 1 ..... OUTPUT (MAXIMUM)

|            |   |                   |    |                    |
|------------|---|-------------------|----|--------------------|
| <b>115</b> | = | 15 GPD / 2.37 LPH | at | 150 PSI (10.3 bar) |
| <b>130</b> | = | 30 GPD / 4.70 LPH | at | 110 PSI (7.5 bar)  |
| <b>145</b> | = | 45 GPD / 7.09 LPH | at | 75 PSI (5.1 bar)   |
| <b>217</b> | = | 17 GPD / 2.60 LPH | at | 200 PSI (17.2 bar) |

## STEP 2 ..... CONTROL OPTIONS

|          |   |                                    |
|----------|---|------------------------------------|
| <b>X</b> | = | Standard                           |
| <b>D</b> | = | Dual Output 10-50 sph or 1-125 spm |
| <b>E</b> | = | External Pace                      |
| <b>L</b> | = | Limit Timer                        |

## STEP 3 ..... VOLTAGE

|          |   |                         |
|----------|---|-------------------------|
| <b>1</b> | = | 120 Volt USA Plug       |
| <b>2</b> | = | 240 Volt                |
| <b>3</b> | = | 240 Volt Specified Plug |
| <b>4</b> | = | 12 Volt Operation       |

## STEP 4 ..... HEAD MATERIAL

|          |   |                |
|----------|---|----------------|
| <b>D</b> | = | Degassing PVDF |
|----------|---|----------------|

## STEP 5 ..... SEAT MATERIAL

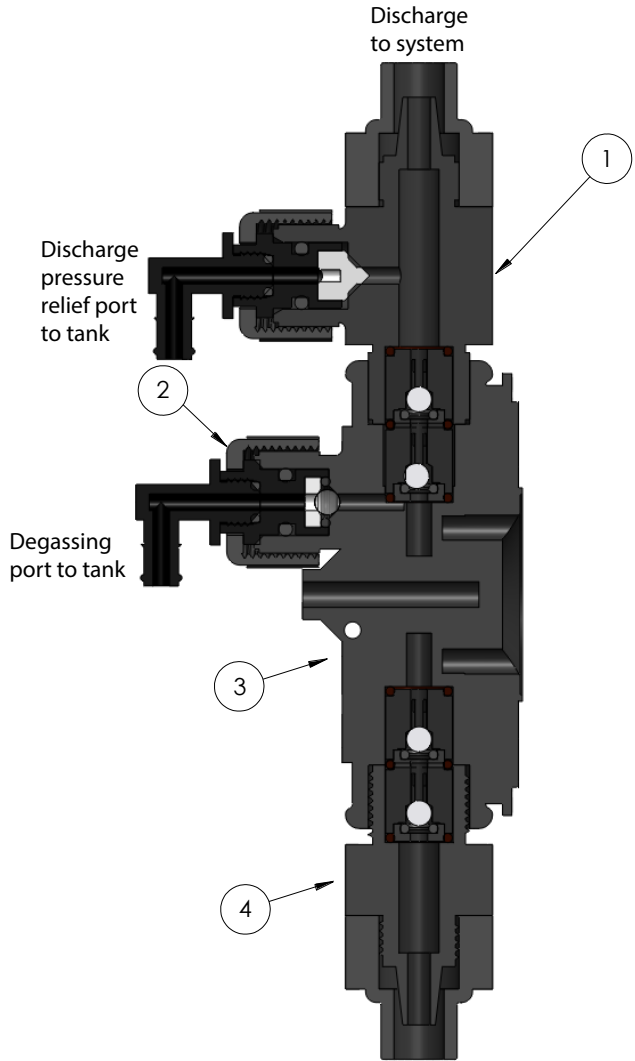
|          |   |         |
|----------|---|---------|
| <b>V</b> | = | Viton   |
| <b>F</b> | = | Teflon  |
| <b>H</b> | = | Hypalon |

## STEP 6 ..... CHECK BALL

|          |   |   |
|----------|---|---|
| <b>C</b> | = | Ceramic                                       |
| <b>D</b> | = | Ceramic/single on discharge (pressure relief) |
| <b>S</b> | = | Stainless                                     |

## STEP 7 ..... CONNECTIONS

|          |   |                                      |
|----------|---|--------------------------------------|
| <b>1</b> | = | 3/8" (9.525 mm) Tubing - 75-200 PSI  |
| <b>2</b> | = | 1/4" (6.35 mm) Tubing - 200 PSI      |
| <b>U</b> | = | 3/8" black UV tubing, 200 PSI        |
| <b>V</b> | = | 3/8" tubing w/clear suction, 200 PSI |



| Item | Description                            | Part Number |
|------|--|-------------|
| 1    | Pressure Relief/Discharge Valve        | PRDIS-K     |
| 2    | Degassing Valve Assembly               | DEGAS-KF    |
| 3    | Complete Head Assembly (75 & 110 psi)  | CKR-1-D     |
|      | Complete Head Assembly (150 & 200 psi) | CKR-2-D     |
| 4    | Suction Valve Assembly                 | SUC-K       |

### Seat

V- Viton  
F- Teflon  
H- Hypalon

### Ball

C- Ceramic  
D- Single  
S- Stainless

### Connection

1- 3/8" Tube  
2- 1/4" Tube

**Get the Advantage**



4700 Harold Abitz Dr  
Muskogee, OK 74403  
800-743-7431 Phone  
888-686-6212 Fax  
www.advantagecontrols.com