

APCT Tanks

Single Wall Containment Tanks



Key Features

- Industrial Grade Polyethylene
- Convenient Pump Mount
- Removable Lid
- Accessory Mount Areas
- Large Refill Opening
- Inner Stackable Design
- Lower Shipping Cost
- Optional Accessories

Application

Advantage Controls' APCT series of single wall containment solution tanks provide an customer friendly system for stationary liquid containment.

APCT tanks have a large, heavy duty lid that includes a multiple metering pump mounting area with spill containment, a large fill opening and four tank accessory mounting points for optional mixers, level sensors and quick fill connection.

Advantage Control's APCT tanks also give you the advantage of lower shipping cost since the lid is removable and the tanks can be inner stacked. Once on site simply snap on the lid.

Models

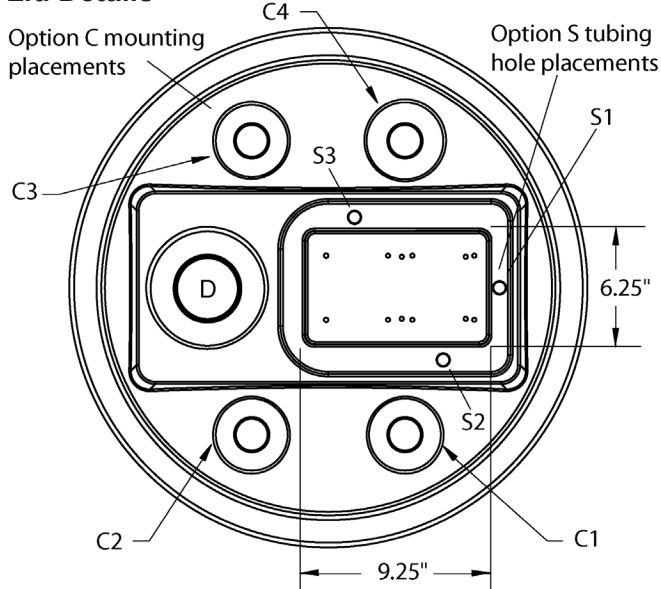
APCT-35	34-gallon tank with lid
APCT-40	40-gallon tank with lid
APCT-55	58-gallon tank with lid
APCT-70	70-gallon tank with lid

Options

B	1/2" FNPT bulkhead fitting for flooded suction
C	2" FNPT lid accessory mounting points
D	5" pop-out plug for pouring in through lid
F	3/4" PPL fill connection installed in lid
F1	1" PPL fill connection installed in lid
L	Level indicator-SST
M1	Bung mount 1/15 HP mixer
P	Non Advantage Controls pump mount adapter
R	Rigid suction tube
S	Suction tube holes predrilled for Advantage pumps
U	Assembled and individually boxed
W	Level wand with float switch

NOTE: When ordering C and/or S, just list the letter once followed by each hole placement number desired. i.e. C134. Suction holes are 1.125".

Lid Details



Customizing

Mold your company logo into the APCT tank lids or have the tanks molded in a color of your choice for brand recognition. Customizing requires extra charges and minimum order size. Contact Advantage Controls for more information.

Specifications

Material of Construction

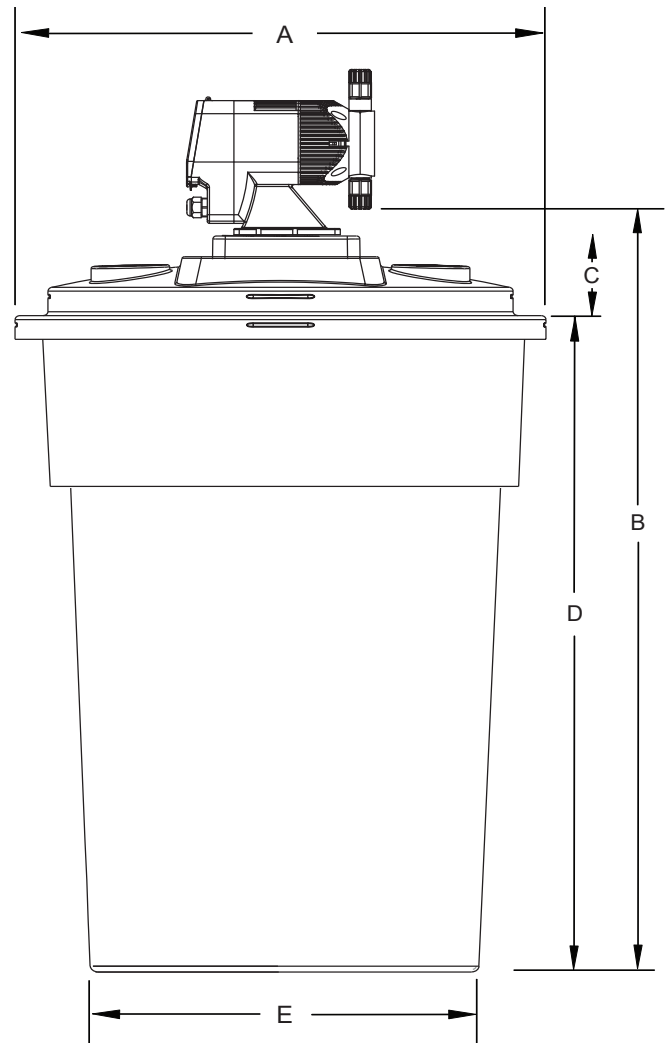
All tanks are made of UV-stabilized linear polyethylene with an average wall thickness of 1/6 inch.

Shipping Weight

APCT-35.....	15 lbs.
APCT-40.....	15 lbs.
APCT-55.....	21 lbs.
APCT-70.....	21 lbs.

Dimensions

	A	B	C	D	E
APCT-35	23.7"	32.8"	3.0"	30.0"	18.0"
APCT-40	23.7"	33"	3.0"	29.75"	19.0"
APCT-55	27.3"	44.3"	5.2"	39.0"	19.0"
APCT-70	27.3"	44.3"	5.2"	39.0"	22.0"



Get the Advantage



4700 Harold-Abitz Dr
Muskogee, OK 74403
800-743-7431 Phone
888-686-6212 Fax
www.advantagecontrols.com