

OUTLET  
DN20

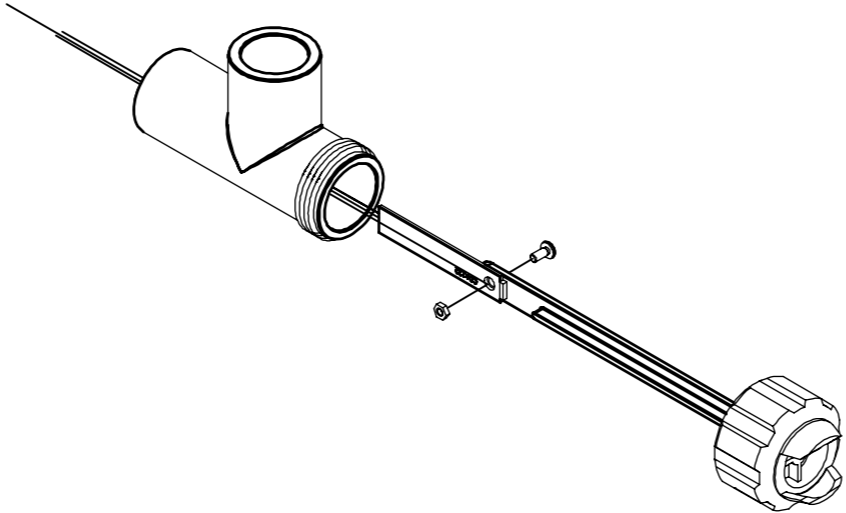
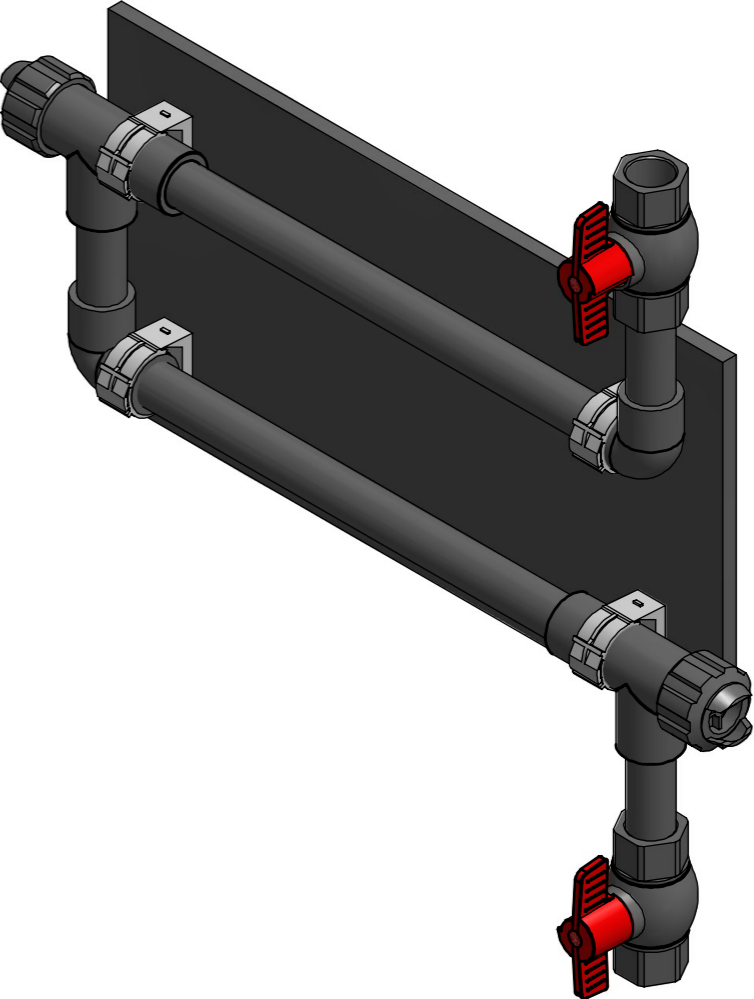
460

300

250

52

INLET  
DN20



MATERIAL PVC-U	DRAWN CC	DATE 31/07/2018
FINISH	CHECKED	DATE
DRAWING NO. 46-8212-01	APPROVED	DATE
PROJECT NO.	DESIGN WATERDOS	DATE
TOLERANCES (LINEAR) ISO 2768-c	STATUS	
(ANGULAR) ISO 2768-c	WEIGHT N/A	
	THIRD ANGLE PROJECTION	



**WATERDOS INSTRUMENTS AUSTRALASIA**  
 Fiveways Business Park Phone: +61 3 9701 5088  
 32/31 Keysborough Close Fax: +61 3 9769 1603  
 Keysborough VIC 3173 Web: www.waterdos.com.au  
 A.B.N 37 169 325 151

TITLE <b>COR-RACK-2C</b>			
SIZE <b>A3</b>	SCALE ----	REV <b>0</b>	SHEET 1 OF 1