

# Installation, Operation and Maintenance Manual

## ITS SYSTEM

(Integrated Tank System)

### INTRODUCTION:

The ITS System is designed primarily for residential/commercial applications requiring small amounts of chemical to be fed into a water supply. The chemical storage tank and feeder assemble to a common base. The tank(.13in.(.3cm)-WALL) includes a tight fitting lid(4in.(10.2cm)) to keep the chemical free of contaminants and to protect the surrounding area from chemical fumes. The system is constructed of the finest quality materials. With reasonable care and maintenance, it will provide excellent service.

The information in this manual will help you obtain the most satisfactory service from the ITS system. We suggest you read it carefully before installing and operating.

### INSPECTION:

Check the ITS system for shipping damage or missing parts. The transportation company should be notified if mishandled and/or damaged.

A system consists of: a separately ordered packaged chemical feed pump including accessories and maintenance manual; chemical tank with lid and bulkhead fittings; a liquid level indicator float assembly; and one package of feeder mounting hardware. A foot valve strainer, tubing and injection point fitting are packed with the feed pump.

### SPECIFICATIONS:

The chemical tank capacity is 15-gallons(56.7-liters). Please refer to manual included with the chemical feeder for other pumping specifications. Overall dimensions 16.0 x 16.0 x 28.1in.(40.6 x 40.6 x 71.4cm),7.5in.(19.1cm) to pump mounting plate. Approximate weight = 11-lbs(5kg).

### BEFORE INSTALLATION:

Read manual supplied with pump to insure proper location of feed system. Also read manual carefully for pump installation, operation, and maintenance requirements.

### ASSEMBLY LOW LEVEL INDICATOR:

Remove tank cap by pressing dot on cap and rotating counter-clockwise. Locate parts inside of tank and literature/parts kit packaged with unit. Insert bulkhead fitting of the low level float and indicator assembly through the predrilled hole at the top of the tank. Holding in place, secure by screwing on the windowed low level indicator until it bottoms out against the top of the tank. The window should be positioned to permit greatest visibility of red low liquid level indicator.

### PUMP MOUNTING:

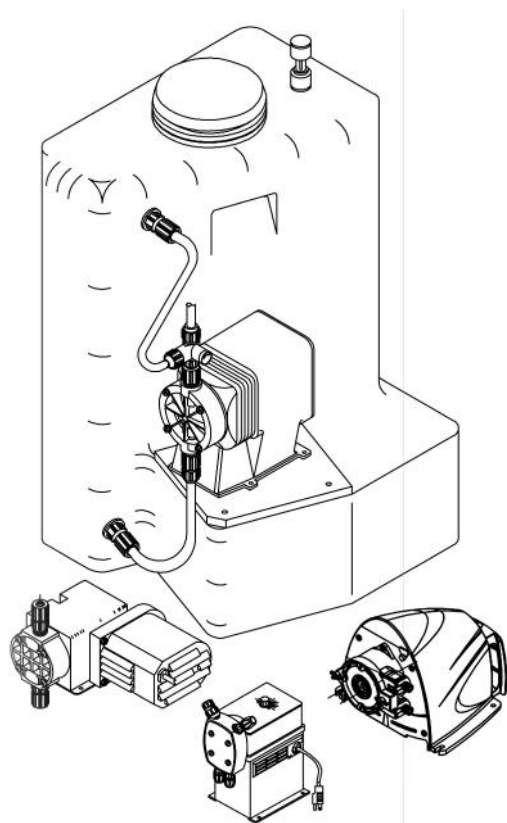
1. Place feeder onto base plate and secure with 4(four)-#8-32 screws.

**CAUTION** : REMOVE PUMP MOUNTING PLATE BEFORE DRILLING FOR PUMP.

2. Place the ITS in the installation location you have selected.
3. Cut a length of suction tubing long enough (but as short as possible without kinking) to reach from the feed pump "SUCTION" fitting to the bottom bulkhead fitting. Attach tubing to pump and tank fittings, and tighten compression nuts securely.

**CAUTION** : DO NOT FILL TANK

until pump outlet connections are properly made as recommended by pump manufacturer.



### \*EASY TO MAINTAIN.....

The tank's low level indicator allows visual monitoring of supply without opening the tank.

### \*SECURE....

The tight fitting lid keeps the chemical free of contaminants.

FILLING YOUR CHEMICAL TANK:



**!DANGER:** DO NOT ATTEMPT TO FEED CHEMICALS WITHOUT CONSULTING YOUR CHEMICAL FEEDER DEALER OR CHEMICAL SUPPLIER. REFER TO PUMP MANUAL FOR ADDITIONAL CHEMICAL HANDLING PRECAUTIONS.

Check the chemical level in the reservoir frequently and refill as necessary.

When the red low level indicator appears, the chemical tank is ready to be refilled. Approximately 10-gallons of chemical solution may be added.

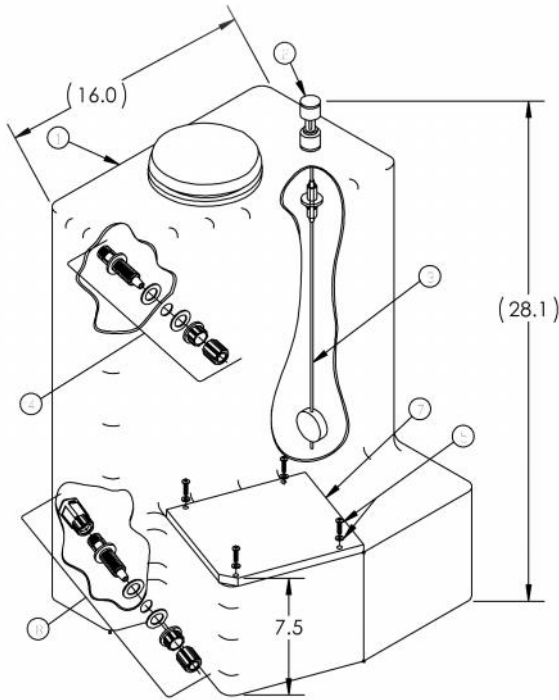
**DO NOT** allow the level to drop too low before refilling. At least 4-inches of chemical should always remain in the tank.

**IMPORTANT:**

Be sure the tank lid is on tight after filling tank. Turn cap clockwise until detent locks into position and cap is tight.

**MAINTENANCE**

Check tank and fittings frequently for deterioration and/or leakage.



ITEM #	PART NO	DESCRIPTION	163063	S100 J40489	S100 J40490	J40492	J40493	J40495	J40496	J420498	J420499	J40501	J40502
1	J39390	15-GALLON TANK	1	1	1	1	1	1	1	1	1	1	1
2	U0818399	LOW LEVEL INDICATOR	1	1	1	1	1	1	1	1	1	1	1
3	U0818405	FLOAT ASSEMBLY	1	1	1	1	1	1	1	1	1	1	1
4	J26885	BULKHEAD FITTING, .38-TUBE		1	1	1	1	1	1	1	1	1	1
5 *	J61544	KIT, SCREW, MNT PLATE	1	1	1	1	1	1	1	1	1	1	1
6 *	J61545	KIT, SCREW, PUMP MNT. (NOT SHOWN)	1	1	1	1	1	1	1	1	1	1	1
7	J39393	PUMP MOUNTING PLATE -S/100	-	-	1	1	1	1	1	1	1	-	-
	J39392	-UNIVERSAL	-	-	-	-	-	-	-	-	-	1	1
	J63043	-XP	1	1	-	-	-	-	-	-	-	-	-
8	J26912	BULKHEAD FIT. w/STRAINER -.25" -TUBE	-	-	-	-	-	-	-	-	-	1	-
	26860	BULKHEAD FIT. w/STRAINER -.38" -TUBE	1	-	1	-	1	-	1	-	1	-	1
	26859	- .50" - TUBE	-	-	-	1	-	1	-	1	-	-	1
			XP				PULSATRON			MOM STINGRAY			
* = SCREW KITS INCLUDE (4) SCREWS AND (4) WASHERS			CHEMTECH				PULSATRON			UNIVERSAL			

**MANUFACTURER'S PRODUCT WARRANTY**

The manufacturer warrants its equipment of its manufacture to be free of defects in material or workmanship. Liability under this policy extends to 18(eighteen)-months from the date of purchase or 1(one)-year from date of installation or whichever comes first. The manufacturer's liability is limited to repair or replacement of any device or part, which is returned, prepaid, to the factory and which is proven defective upon examination. This warranty does not include installation or repair costs and in no event shall the manufacturer's liability exceed the selling price of such part.