



BF/MBF SERIES

Band Clamp & Swing Bolt Bag Housings
Data Sheet

- Band Clamp or Swing Bolt Design.
- 304 or 316 Stainless Steel.
- Electropolish standard on all models.
- Single and Multi-Bag Filter Housing Options.
- Positive O-Ring Seal.
- 150 psi Pressure Rating.
- Accepts #1 (7" x 16-1.2") or #2 (7" x 32") Filter Bags.

HYDROSCIENTIFIC™ BF/MBF SERIES BAG FILTER HOUSINGS are ideal for most commercial/industrial applications. Commonly used for pre-filtration for Reverse Osmosis (RO) systems, food service, car washes, agriculture and many other uses.

HYDROSCIENTIFIC™ BF/MBF SERIES BAG FILTER HOUSINGS are made with high grade 304 or 316 Stainless Steel and easily accept most standard filter bags. With a wide range of models, these housings can easily meet most application requirements.



BF SERIES - 304SS AND 316SS BAND CLAMP SINGLE BAG HOUSING (#1, #2, #3 AND #4) SPECIFICATIONS

| Part Number | Description | Ports (In/Out) | Drains (FNPT) | Vents (FNPT) | Gauge Ports | Max. Flow (gpm) | Max. Flow (lpm) | Max. Flow (m ³ /hr) |
|--------------|---|----------------|---------------|--------------|-------------|-----------------|-----------------|--------------------------------|
| BF1-304-2NBC | HydroScientific™ BC Single Bag Housing, 1 x #1, 304SS, AL, EP | 2" FNPT | - | 1/4" FNPT | 1/4" FNPT | 90 | 340 | 20 |
| BF2-304-2NBC | HydroScientific™ BC Single Bag Housing, 1 x #2, 304SS, AL, EP | 2" FNPT | - | 1/4" FNPT | 1/4" FNPT | 180 | 681 | 41 |
| BF3-304-1NBC | HydroScientific™ BC Single Bag Housing, 1 x #3, 304SS, AL, EP | 1" FNPT | - | 1/4" FNPT | 1/4" FNPT | 20 | 76 | 4.5 |
| BF4-304-1NBC | HydroScientific™ BC Single Bag Housing, 1 x #4, 304SS, AL, EP | 1" FNPT | - | 1/4" FNPT | 1/4" FNPT | 45 | 170 | 10 |
| BF1-316-2NBC | HydroScientific™ BC Single Bag Housing, 1 x #1, 316SS, AL, EP | 2" FNPT | - | 1/4" FNPT | 1/4" FNPT | 90 | 340 | 20 |
| BF2-316-2NBC | HydroScientific™ BC Single Bag Housing, 1 x #2, 316SS, AL, EP | 2" FNPT | - | 1/4" FNPT | 1/4" FNPT | 180 | 681 | 41 |
| BF3-316-1NBC | HydroScientific™ BC Single Bag Housing, 1 x #3, 316SS, AL, EP | 1" FNPT | - | 1/4" FNPT | 1/4" FNPT | 20 | 76 | 4.5 |
| BF4-316-1NBC | HydroScientific™ BC Single Bag Housing, 1 x #4, 316SS, AL, EP | 1" FNPT | - | 1/4" FNPT | 1/4" FNPT | 45 | 170 | 10 |

BF SERIES - 304SS AND 316SS SWING BOLT SINGLE BAG HOUSING (#1 AND #2) SPECIFICATIONS

| Part Number | Description | Ports (In/Out) | Drains (FNPT) | Vents (FNPT) | Gauge Ports | Max. Flow (gpm) | Max. Flow (lpm) | Max. Flow (m ³ /hr) |
|-------------|---|----------------|---------------|--------------|-------------|-----------------|-----------------|--------------------------------|
| BF1-304-2N | HydroScientific™ SB Single Bag Housing, 1 x #1, 304SS, AL, EP | 2" FNPT | - | 1/4" FNPT | 1/4" FNPT | 90 | 340 | 20 |
| BF2-304-2N | HydroScientific™ SB Single Bag Housing, 1 x #2, 304SS, AL, EP | 2" FNPT | - | 1/4" FNPT | 1/4" FNPT | 180 | 681 | 41 |
| BF1-316-2N | HydroScientific™ SB Single Bag Housing, 1 x #1, 316SS, AL, EP | 2" FNPT | - | 1/4" FNPT | 1/4" FNPT | 90 | 340 | 20 |
| BF2-316-2N | HydroScientific™ SB Single Bag Housing, 1 x #2, 316SS, AL, EP | 2" FNPT | - | 1/4" FNPT | 1/4" FNPT | 180 | 681 | 41 |

BF SERIES - CARBON STEEL SWING BOLT SINGLE BAG HOUSING (#1 AND #2) SPECIFICATIONS

| Part Number | Description | Ports (In/Out) | Drains (FNPT) | Vents (FNPT) | Gauge Ports | Max. Flow (gpm) | Max. Flow (lpm) | Max. Flow (m ³ /hr) |
|-------------|--|----------------|---------------|--------------|-------------|-----------------|-----------------|--------------------------------|
| BF1-C-2N | HydroScientific™ SB Single Bag Housing, 1 x #1, CS, AL, EP | 2" FNPT | - | 1/4" FNPT | 1/4" FNPT | 90 | 340 | 20 |
| BF2-C-2N | HydroScientific™ SB Single Bag Housing, 1 x #2, CS, AL, EP | 2" FNPT | - | 1/4" FNPT | 1/4" FNPT | 180 | 681 | 41 |

BC = BAND CLAMP, SB = SWING BOLT, CS = CARBON STEEL, AL = ADJUSTABLE LEGS, EP = ELECTROPOLISH

MBF SERIES - 304SS SWING BOLT MULTI BAG HOUSING SPECIFICATIONS

| Part Number | Description | Ports (In/Out) | Drains (FNPT) | Vents (FNPT) | Gauge Ports (FNPT) | Swing Arm | Max. Flow (gpm) | Max. Flow (lpm) | Max. Flow (m ³ /hr) |
|----------------------|--|----------------|---------------|--------------|--------------------|-----------|-----------------|-----------------|--------------------------------|
| MBF2-304-3F | HydroScientific™ SB Multi Bag Housing, 2 x #2, ML, EP | 3" FL | 2" | 1/2" | 1/2" | ✓ | 396 | 1499 | 90 |
| MBF3-304-4F | HydroScientific™ SB Multi Bag Housing, 3 x #2, ML, EP | 4" FL | 2" | 1/2" | 1/2" | ✓ | 594 | 2248 | 135 |
| MBF4-304-4F | HydroScientific™ SB Multi Bag Housing, 4 x #2, ML, EP | 4" FL | 2" | 1/2" | 1/2" | ✓ | 793 | 3001 | 180 |
| MBF5-304-6F | HydroScientific™ SB Multi Bag Housing, 5 x #2, ML, EP | 6" FL | 2" | 1/2" | 1/2" | ✓ | 991 | 3751 | 225 |
| MBF6-304-6F | HydroScientific™ SB Multi Bag Housing, 6 x #2, ML, EP | 6" FL | 2" | 1/2" | 1/2" | ✓ | 1189 | 4501 | 270 |
| MBF8-304-8F | HydroScientific™ SB Multi Bag Housing, 8 x #2, ML, EP | 8" FL | 2" | 1/2" | 1/2" | ✓ | 1585 | 6000 | 360 |
| MBF12-304-8F | HydroScientific™ SB Multi Bag Housing, 12 x #2, ML, EP | 8" FL | 2" | 1/2" | 1/2" | ✓ | 2378 | 9002 | 540 |
| MBF12-304-10F | HydroScientific™ SB Multi Bag Housing, 12 x #2, ML, EP | 10" FL | 2" | 1/2" | 1/2" | ✓ | 2378 | 9002 | 540 |

MBF SERIES - 316SS SWING BOLT MULTI BAG HOUSING SPECIFICATIONS

| Part Number | Description | Ports (In/Out) | Drains (FNPT) | Vents (FNPT) | Gauge Ports (FNPT) | Swing Arm | Max. Flow (gpm) | Max. Flow (lpm) | Max. Flow (m ³ /hr) |
|----------------------|--|----------------|---------------|--------------|--------------------|-----------|-----------------|-----------------|--------------------------------|
| MBF2-316-3F | HydroScientific™ SB Multi Bag Housing, 2 x #2, ML, EP | 3" FL | 2" | 1/2" | 1/2" | ✓ | 396 | 1499 | 90 |
| MBF3-316-4F | HydroScientific™ SB Multi Bag Housing, 3 x #2, ML, EP | 4" FL | 2" | 1/2" | 1/2" | ✓ | 594 | 2248 | 135 |
| MBF4-316-4F | HydroScientific™ SB Multi Bag Housing, 4 x #2, ML, EP | 4" FL | 2" | 1/2" | 1/2" | ✓ | 793 | 3001 | 180 |
| MBF5-316-6F | HydroScientific™ SB Multi Bag Housing, 5 x #2, ML, EP | 6" FL | 2" | 1/2" | 1/2" | ✓ | 991 | 3751 | 225 |
| MBF6-316-6F | HydroScientific™ SB Multi Bag Housing, 6 x #2, ML, EP | 6" FL | 2" | 1/2" | 1/2" | ✓ | 1189 | 4501 | 270 |
| MBF8-316-8F | HydroScientific™ SB Multi Bag Housing, 8 x #2, ML, EP | 8" FL | 2" | 1/2" | 1/2" | ✓ | 1585 | 6000 | 360 |
| MBF12-316-8F | HydroScientific™ SB Multi Bag Housing, 12 x #2, ML, EP | 8" FL | 2" | 1/2" | 1/2" | ✓ | 2378 | 9002 | 540 |
| MBF12-316-10F | HydroScientific™ SB Multi Bag Housing, 12 x #2, ML, EP | 10" FL | 2" | 1/2" | 1/2" | ✓ | 2378 | 9002 | 540 |

SB = SWING BOLT, ML = LEGS, EP = ELECTROPOLISH, FL = FLANGE

ADDITIONAL FEATURES

Finish: Electropolished and Bead Blasted Standard
 Drains: Clean and Dirty standard on all models
 Gauge Ports: Clean and Dirty standard on all models

APPLICATIONS

- Liquid Process
- Food and Beverage
- Chemicals
- Oil / Gas Industry
- Coolants
- Inks / Coatings / Paints
- Wastewater

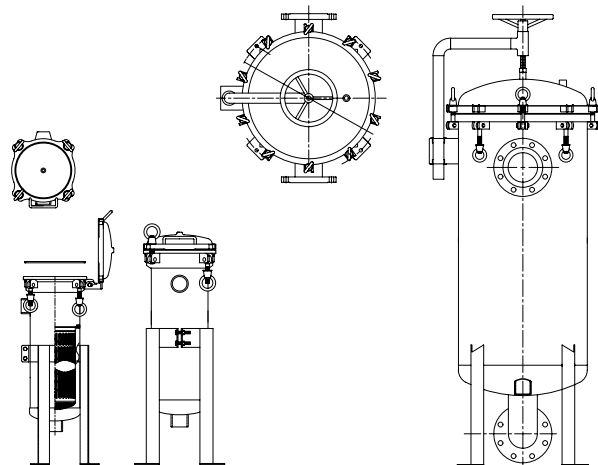
MATERIALS OF CONSTRUCTION

Housing Shell: 304 or 316 stainless steel
 Band Clamp Lid Closure: 304 or 316 stainless steel
 Swing Bolt Lid Closure: Zinc Plated Steel
 Vent and Drain Plugs: 304 or 316 stainless steel
 Heavy Duty Mounting Legs: 304 or 316 stainless steel
 O-Ring / Gasket: EPDM - FDA Grade
 (Viton, Silicone and EPR Options)

Copyright © 2019 HydroScientific., All Rights Reserved.



P.O. Box 2235 Chino Hills, CA 91709 | USA
 sales@hydronixwater.com



OPERATIONAL DATA

Max. Working Pressure: 150 psi at 250 °F (10.3 bar at 121 °C) - Band Clamp
 150 psi at 300 °F (10.3 bar at 149 °C) - Swing Bolt
 Max. Operating Temperature: 250 °F (121 °C) - Band Clamp
 300 °F (149 °C) - Swing Bolt

DISTRIBUTED BY:



4700 Harold Abitz Drive
 Muskogee, OK 74403
 P. 918.686.6211
www.advantagecontrols.com