



Pulsafeeder has revolutionized the dosing of Sodium Hypochlorite and other off-gassing fluids with its

patented **Hypo** technology for use with diaphragm metering pumps. In its continuous pursuit of perfection Pulsafeeder is proud to announce the release of its second generation control technology - the **HypoPump**<sup>®2</sup>. The Patented technology protects the accuracy of a diaphragm metering pump by shunting entrained gas from the metering chamber to the pump discharge. This technology is available with the Pulsar hydraulic metering pumps to deliver consistent, accurate and repeatable performance.

### Key Features

- Automatic removal of entrained gasses from the reagent head.
- Fully integrated closed loop design; no external valves or piping required.
- Balanced low stress dynamic seal offers extended operating life (3-year warranty).
- Activation chamber includes double seals and standard leak detection.
- Low maintenance, tool-free design.
- Simple KOPkit includes all service components.
- Control electronics are isolated from process fluids for extended life (5-year warranty).
- Standard 115/230 VAC operation at 50/60 Hz.
- NEMA 4X and IP56
- Approved to UL, CSA and CE standards

### Control Options



#### DLC/DLCM

The DLC is an analog stroke length adjustment controller with a 10:1 turndown capability.

The DLCM controls both speed and stroke length and has a combined turndown of 50:1.



#### ECA

The ECA is a digital signal step stroke controller with 0.1% stroke adjust capability and 10:1 turndown



#### MPC

The MPC is an advanced pump speed based controller with a 1000:1 turndown ability. It features a detachable handheld keypad that can be mounted up to 1000ft (304m) from the pump.

### Operating Benefits

- 3 year warranty against manufacturing defects
- Steady state accuracy of  $\pm 1\%$
- Tool-free design for ease of maintenance and access
- Seal verification port
- Self-priming and easy start up
- Vapor Lock Proof



### Aftermarket & Accessory Offerings

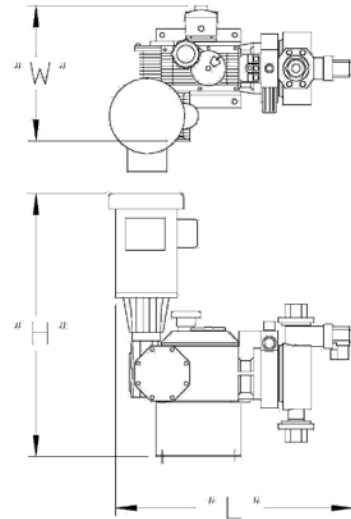
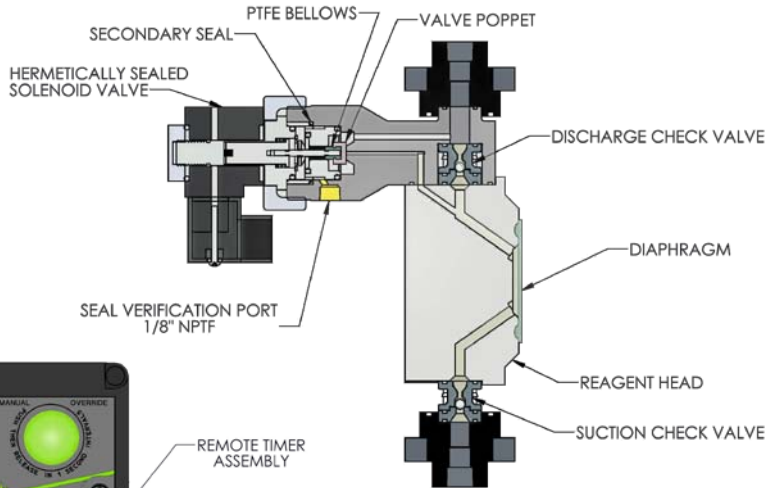
- Upgrade and Retrofit Kits
- KOPkit<sup>®</sup>
- Calibration Columns
- Y Strainers
- Pressure Relief Valves
- Back Pressure Valves
- Pulsation Dampeners
- Pressure Gauges
- PulsaAlarm Leak Detection



**Specifications and Model Selection**

Pump Model & Head Size	Maximum Capacity Range				Rated Pressure	
	60 HZ GPH	60 HZ LPH	50 HZ GPH	50 HZ LPH	PSIG	BAR
Includes all stroking rates						
25HJ *A Head	0.69 – 2.0	2.6 – 7.7	0.57 – 2.1	2.1 – 7.9	150	10.4
25HJ B Head	1.1 – 7.3	4.3 – 27.9	0.9 – 7.5	3.6 – 28.7	150	10.4
25HJ C Head	6.1 – 32.7	23.4 – 123.8	5.1 – 33.6	19.3 – 127.4	150	10.4
25 HJ D Head	17.1 – 51.1	64.9 – 193.5	14.1 – 52.6	53.7 – 199.1	150	10.4
25 HL B Head	1.4 – 7.2	5.4 – 27.3	1.1 – 7.4	4.4 – 28.1	150	10.4
25 HL C Head	5.1 – 38.5	15.5 -145.7	4.2 – 29.6	16.2 – 149.9	150	10.4
25 HL D Head	22.9 – 106.9	86.8 – 404.7	19.0 – 110.0	71.9 – 411.4	87/56	10.4
55 HL B Head	1.4 – 7.2	5.4 – 27.3	1.1 – 7.4	4.4 – 28.1	150	6/4
55 HL C Head	5.1 -38.5	15.5 - 145.7	4.2 – 39.6	6.2 – 149.9	150	10.4
55 HL D Head	22.9 – 106.9	86.8 – 404.7	19.0 – 110.0	71.9 -416.4	150	10.4

These pumps are available with PTFE/elastomer composite, PTFE solid, and leak detection diaphragms.



REMOTE TIMER ASSEMBLY

Const. Ref.	Fluid Temp.
PVC	120°F/49°C
PVDF	150°F/65°C

**Dimensions**

DIM	MODEL 25		MODEL 55	
	Inch	MM	Inch	MM
L	21.3	542.1	22.0	559.8
W	10.6	269.3	10.6	269.3
H	32.1	816.2	32.1	816.2
Approx Shipping Weight	125 lbs	56.7 kg	140 lbs	63.5 kg

Const. Ref.	Reagent Head	Flat Diaphragm	Check Valves			Cap & Guide
			Ball	Seat	Gasket	
PVC	PVC	TFE Faced	ALA	PVC	VTN	PVC
PVDF	PVDF	TFE Faced	ALA	PVDF	VTN	PVDF