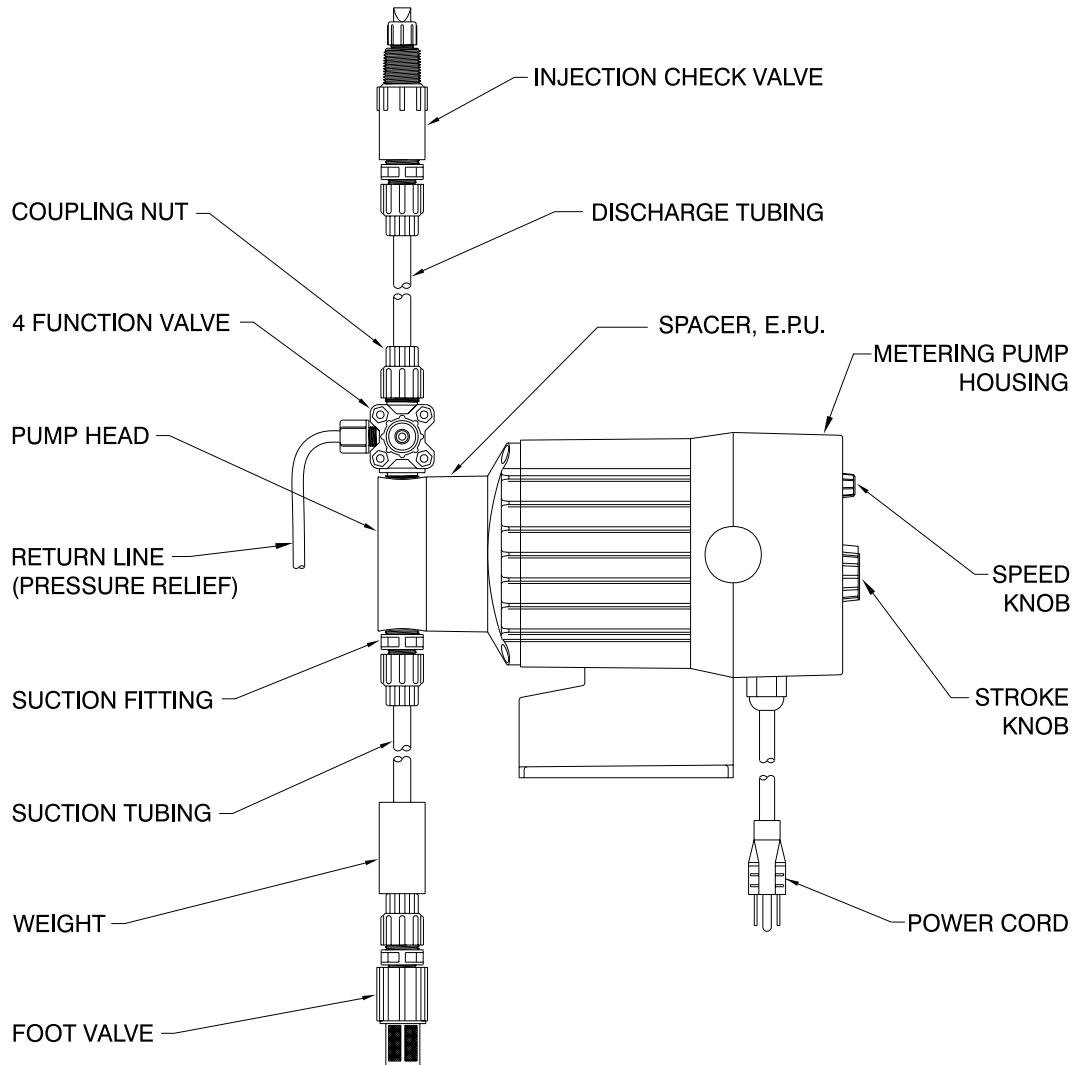


Instruction Supplement

Series C1

Electronic Metering Pump

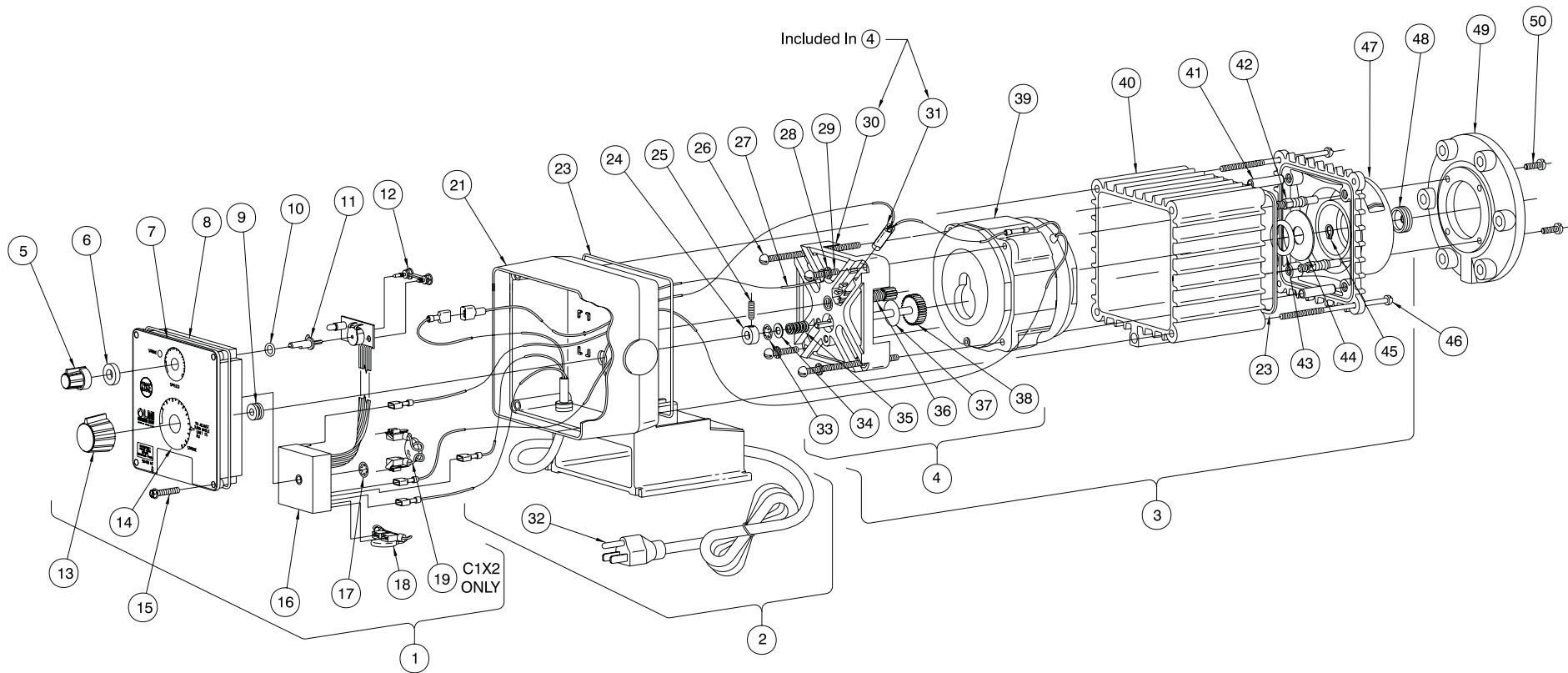


Metering Pump Component Diagram



201 Ivyland Road
Ivyland, PA 18974
TEL: 215-293-0401
FAX: 215-293-0445
<http://www.lmipumps.com>

Series C1 Drive Assembly Exploded View Diagram



Key No.	Model	Part No.	Description	Qty
1	C101, C111	36237	Control Panel Assembly, 115V	1
	C102, C112	36238	Control Panel Assembly, 230V US	1
	C103, C105, C106, C107 C113, C115, C116, C117	36239	Control Panel Assembly, 230-250V	1
	C121	36240	Control Panel Assembly, 115V	1
	C122	36241	Control Panel Assembly, 230V US	1
	C123, C125, C126, C127	36242	Control Panel Assembly, 230-250V	1
	C131	36243	Control Panel Assembly, 115V	1
	C132	36244	Control Panel Assembly, 230V US	1
	C133, C135, C136, C137	36245	Control Panel Assembly, 230-250V	1

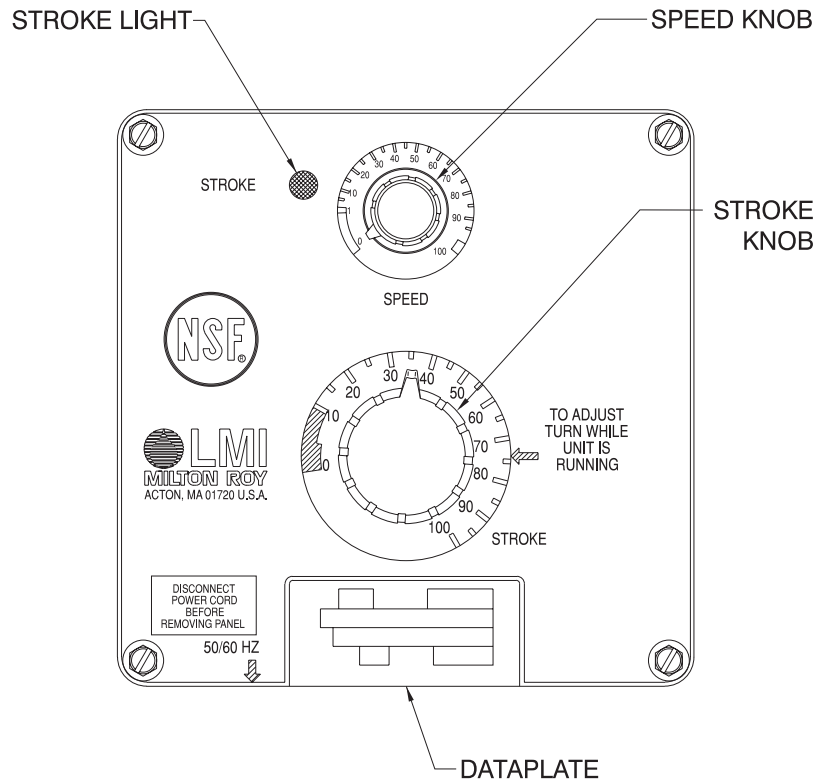
Key No.	Model	Part No.	Description	Qty
1	C141	36246	Control Panel Asm, 115V	1
	C142	36247	Control Panel Asm, 230V US	1
	C143, C145, C146, C147	36248	Control Panel Asm, 230-250V	1
2	C101, C111, C121, C131, C141	32407	Housing Assembly, 115V	1
	C102, C112, C122, C132, C142	32408	Housing Assembly, 230V US	1
	C103, C113, C123, C133, C143	32409	Housing Assembly, 230V DIN	1
	C105, C115, C125, C135, C145	32410	Housing Assembly, 240V UK	1
	C106, C116, C126, C136, C146	32411	Housing Assembly, 250V AUSTR	1
	C107, C117, C127, C137, C147	32412	Housing Assembly, 230V SWISS	1
3	C101	32532	EPU & Spacer w/Stroke Adj., 115V, 0.9SI	1

Series C1 Drive Assembly Parts List

Key No.	Model	Part No.	Description	Qty
3	C102, C103, C105, C106, C107	32533	EPU & Spacer w/Stroke Adj., 230V, 0.9SI	1
	C111, C121	32534	EPU & Spacer w/Stroke Adj., 115V, 1.8SI	1
	C112, C113, C115, C116, C117 C122, C123, C125, C126, C127	32535	EPU & Spacer w/Stroke Adj., 230V, 1.8SI	1
	C131, C141	32536	EPU & Spacer w/Stroke Adj., 115V, 3.0SI	1
	C132, C133, C135, C136, C137 C142, C143, C145, C146, C147	32537	EPU & Spacer w/Stroke Adj., 230V, 3.0SI	1
4	C1	32251	Stroke Bracket Assembly	1
5	C1	30709	Speed Knob	1
6	C1	30803	Gasket	1
7	C1	36256	Panel with Nameplate	1
8	C1	10166	O-Ring	1
9	C1	10465	Grommet	1
10	C1	34497	O-Ring	1
11	C1	35743	Speed Shaft	1
12	C1	35744	Dual Pin	1
13	C1	31891	Stroke Knob Assembly	1
14	C10, C11	32465	Stroke Dial	1
	C12	32466	Stroke Dial	1
	C13	32467	Stroke Dial	1
	C14	32468	Stroke Dial	1
15	C1	30306	Screw	4
16	C1	36255	Pulser	1
17	C1	10422	Retaining Ring	1
18	C101, C111, C121, C131, C141	10626	Varistor Assembly, 115V	1
	C102, C112, C122, C132, C142 C103, C113, C123, C133, C143 C105, C115, C125, C135, C145 C106, C116, C126, C136, C146 C107, C117, C127, C137, C147	10627	Varistor Assembly, 230-250V	1
19	C102, C112, C122, C132, C142	25268	Varistor Assembly, 230V US	1
21	C1	35398	Housing	1
23	C1	35269	O-Ring	2
24	C1	25424	Collar	1
25	C1	25423	Set Screw	1
26	C1	27552	Screw, 10-24 X 4	2
27	C1	27693	Ground Wire Assembly	1

Key No.	Model	Part No.	Description	Qty
28	C1	10415	Washer, Conical	4
29	C1	27551	Screw, 10-24 X 1.25	2
30	C1	12064	Bracket (without mating parts)	1
31	C1	27501	Thermostat	1
32	C101, C111, C121, C131, C141	26293	Power Cord Assembly, 115V	1
	C102, C112, C122, C132, C142	26296	Power Cord Assembly, 230V US	1
	C103, C113, C123, C133, C143	26297	Power Cord Assembly, 230V DIN	1
	C105, C115, C125, C135, C145	26817	Power Cord Assembly, 240V UK	1
	C106, C116, C126, C136, C146	26818	Power Cord Assembly, 250V AUST	1
	C107, C117, C127, C137, C147	27701	Power Cord Assembly, 230V SWISS	1
33	C1	10462	Retaining Ring	1
34	C1	32302	Washer	1
35	C1	32221	Spring	1
36	C1	32578	Pinion	1
37	C1	25121	Gasket	1
38	C1	31770	Shaft Assembly	1
39	C101, C111, C121, C131, C141	32158	EPU Assembly, 115V	1
	C102, C112, C122, C132, C142 C103, C113, C123, C133, C143 C105, C115, C125, C135, C145 C106, C116, C126, C136, C146 C107, C117, C127, C137, C147	32159	EPU Assembly, 230V	1
40	C1	25068	EPU Sleeve	1
41	C1	27187	Spacing Stud	2
42	C10, C11, C12	27641	Stud Assembly	4
	C13, C14	27641-1	Stud Assembly	4
43	C1	26983	O-Ring	1
44	C1	27586	Shim	1
45	C1	27253	Retaining Ring	1
46	C1	25127	Screw, 10-24 X 4.5 SS	4
47	C10	38303	Spacer, 0.9SI	1
	C11, C12	35394	Spacer, 1.8SI	1
	C13, C14	35395	Spacer, 3.0SI	1
48	C1	10973	Seal	1
49	C14	25887	Adapter, 6.0	1
50	C14	10598	Screw, 10-24 X .62	4

Series C1 Control Panel Detail



Series C1 Wiring Diagram

