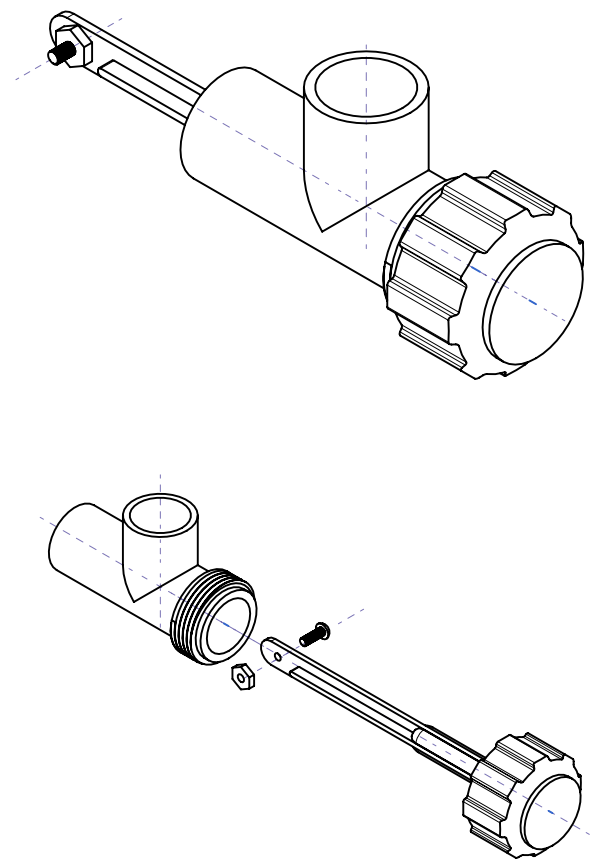
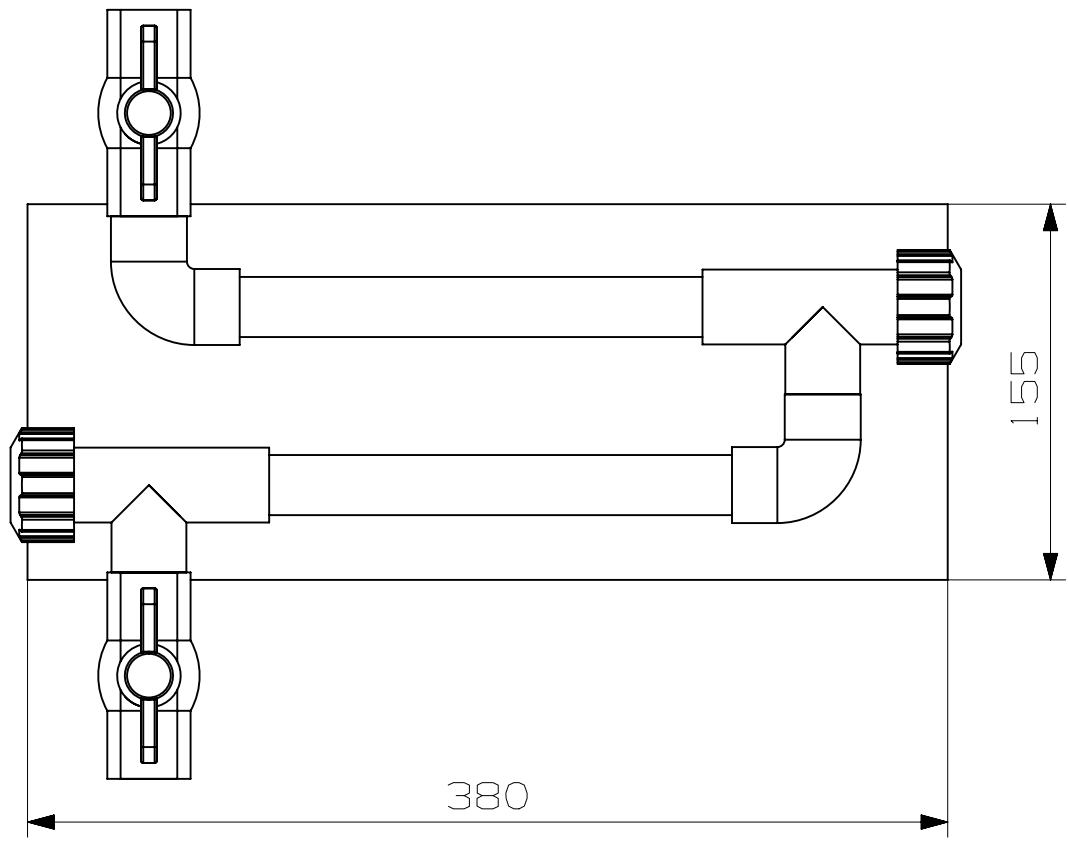


8 7 6 5 4 3 2 1



DO NOT SCALE

DIMENSIONS IN MILLIMETRES



REV	PG	CHG	REVISION HISTORY	DRN	CKD	DATE
001			INITIAL RELEASE	JK	AJT	09MY11

GENERAL NOTES

THIS DRAWING AND INFORMATION CONTAINED IS THE PROPERTY OF WATERDOS INSTRUMENTS PTY LTD AND MAY NOT BE COPIED OR USED FOR ANY PURPOSE OTHER THAN THAT FOR WHICH IT IS SUPPLIED.

DATE	09MY11
SCALE	-
DRAWN	J.KELLS
CHECKED	A.J.TAN

WATERDOS INSTRUMENTS	
DRAWING NAME	COR-RACK-2C.001
DRAWING NUMBER	
SHEET	A4
1 OF 1	

8 7 6 5 4 3 2 1